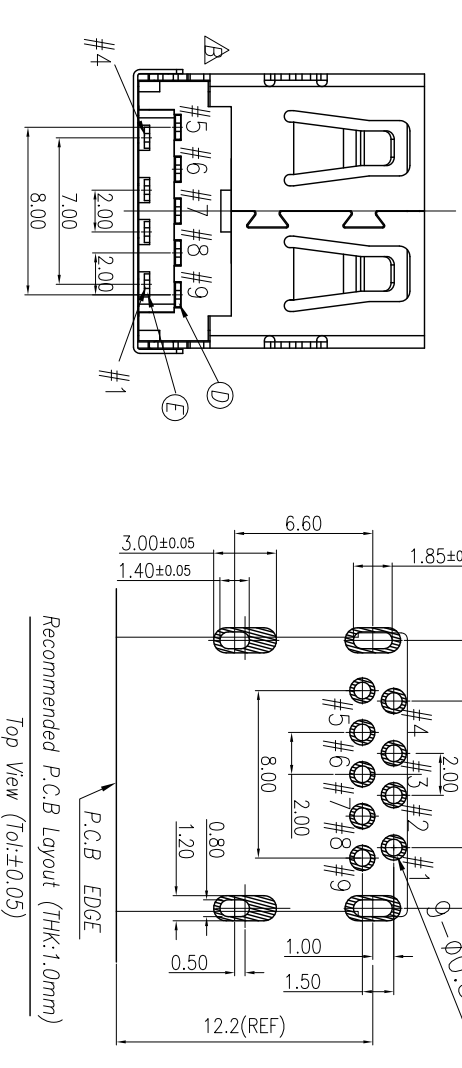
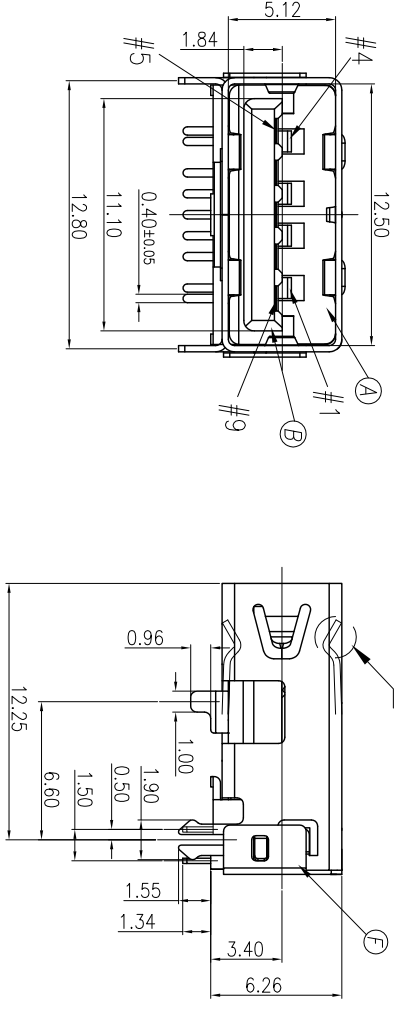
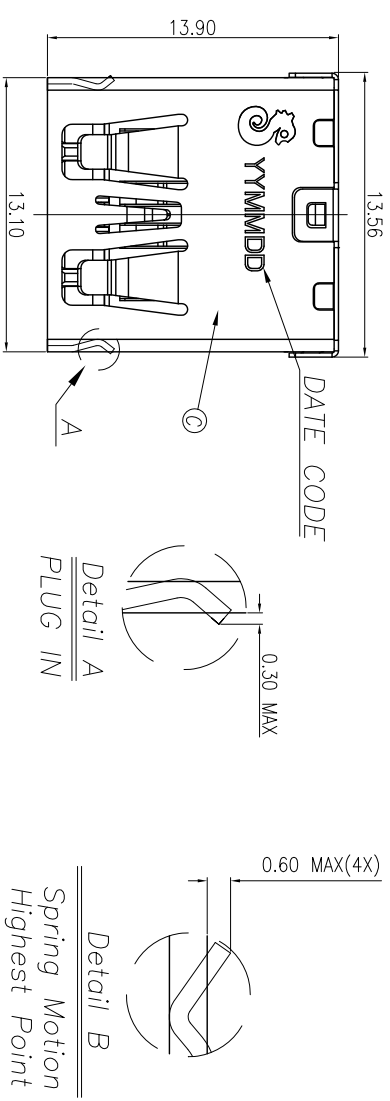
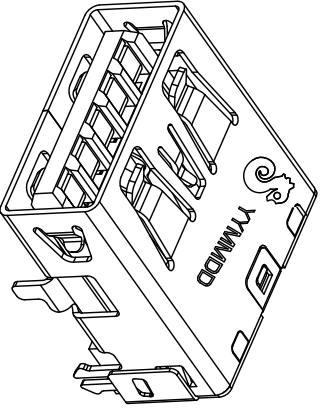


REV.	ECN NO.	OR DESCRIPTION	REVISED	DATE
A		PRODUCE RELEASE	ZHOU LQ	2012.01.10
B	ECN:C120010	Modify Drawing	Longjiang	2012.01.17



- SPECIFICATIONS:**
- ELECTRICAL CHARACTERISTICS:**
    - CURRENT RATING: 1.8A (PIN1,4) ; OTHER CONTACTS 0.25A
    - CONTACT RESISTANCE: 30m Ω MAX.
    - DIELECTRIC WITHSTANDING VOLTAGE: 100V AC FOR 1 MINUTE
    - INSULATION RESISTANCE: 100M Ω MIN
  - MECHANICAL CHARACTERISTICS:**
    - INSERTION FORCE : 3.5 kgf MAX
    - WITHDRAWAL FORCE : 1.0 kgf MIN
    - DURABILITY: 5,000 CYCLES.
    - OTHER SPEC TO REFER USB 3.0 SPEC.
    - TO CONFORM TO SINGATRON HAZARDOUS SUBSTANCE FREE SPEC.
    - HALOGEN FREE PRODUCT IDENTIFICATION MARK : ☉
    - HALOGEN FREE PRODUCT IDENTIFICATION LABEL ON PACKAGING:
    - FOR REFLOW SOLDERING LEAD-FREE PROCESS.
    - PACKAGING : TAPE & REEL.



F	REAR SHELL	1	SPCC 0.20t	NICKEL 60u" MIN
E	4P TERMINAL	4	PHOSPHOR BRONZE 0.25t	GOLD 2u" OVER Pd/Ni 30u" ON CONTACT AREA
D	5P TERMINAL	5	PHOSPHOR BRONZE 0.25t	TIN 120u" ON SOLDE TAIL, ALL OVER 80u" NICKEL PLATED
C	SHELL	1	SUS 0.30t	NICKEL 60u" MIN
B	HOUSING	1	HIGH TEMPERATURE	BLUE
A	BASE	1	HIGH TEMPERATURE	BLUE
NO	DESCRIPTION	QTY	MATERIAL	PLATING & COLOR

UNLESS OTHERWISE SPECIFIED TOLERANCES

Singatron Enterprise Co., Ltd.  
信音企业股份有限公司

TITLE: USB3.0 REVERSE CONNECTOR

DECIMALS: ANGLES:

X	:±0.5	X	:±2°
X.X	:±0.3	X.X	:±1'
X.XX	:±0.2		

DWN: PART NO. 2UB4004-100101F  
CHKD: SCALE 4:1 UNIT: mm  
APVD: SIZE: A3 SHEET: 1 OF 1 REV: B

**CUSTOMER COPY**