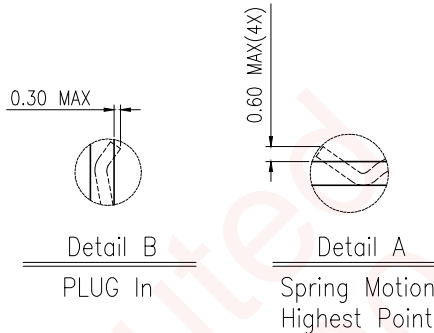
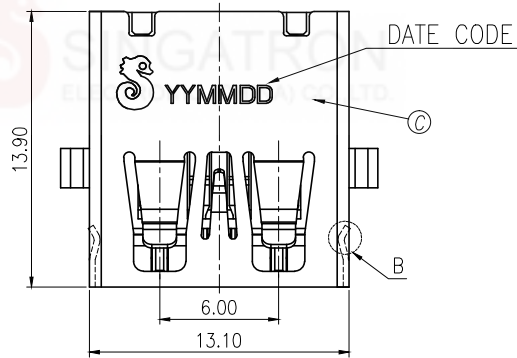
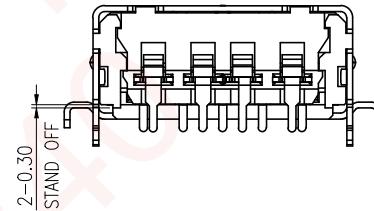
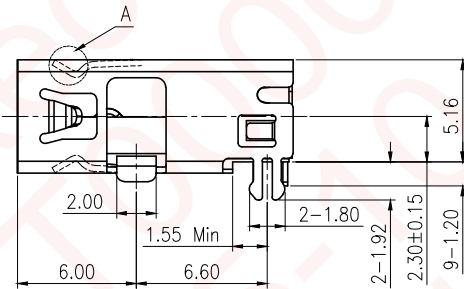
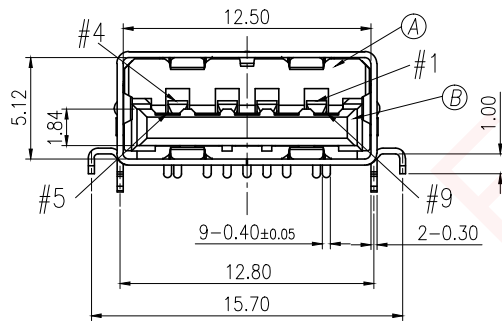


REV.	ECN NO OR DESCRIPTION	REVISED	DATE
A	PDR NO:S150825-3A	JTTLUCKY	2015.09.28

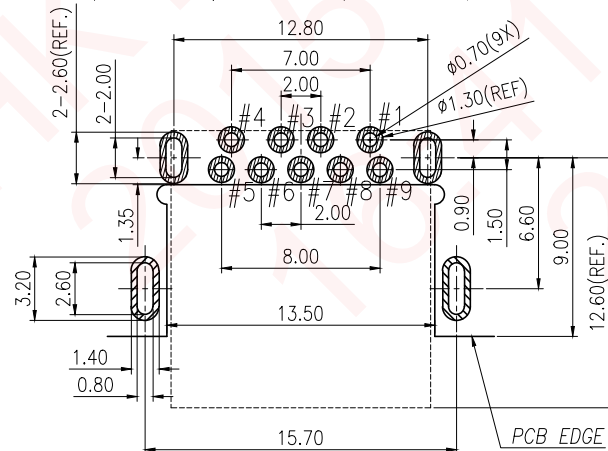
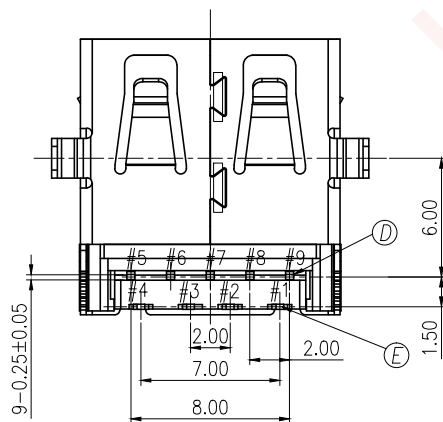


SPECIFICATIONS:

- ELECTRICAL CHARACTERISTICS:
 - CURRENT RATING: 1.8A(PIN1,4); OTHER CONTACTS: 0.25A
WORKING RATED VOLTAGE: 30V AC
 - CONTACT RESISTANCE: 30mΩ MAX.
 - DIELECTRIC WITHSTANDING VOLTAGE: 100V AC FOR 1 MINUTE
 - INSULATION RESISTANCE: 100MΩ MIN
- MECHANICAL CHARACTERISTICS:
 - INSERTION FORCE : 3.5 Kgf MAX
 - WITHDRAWAL FORCE : 1.0 Kgf MIN
- DURABILITY: 5,000 CYCLES.
- OTHER SPEC TO REFER USB 3.0 SPEC.
- TO CONFORM TO SINGATRON HAZARDOUS SUBSTANCE FREE SPEC.
- HALOGEN FREE PRODUCT IDENTIFICATION MARK :
- HALOGEN FREE PRODUCT IDENTIFICATION LABEL ON PACKAGING:
- FOR REFLOW SOLDERING LEAD-FREE PROCESS.
- PACKAGING : TAPE & REEL.



Pin NO.	Signal Assignment
# 1	VBUS
# 2	D-
# 3	D+
# 4	GND
# 5	Stda_SSR-
# 6	Stda_SSR+
# 7	GND_DRAIN
# 8	Stda_SST-
# 9	Stda_SST+
SHELL	Shield



Recommended P.C.B Layout (THK:1.2mm)
Top View (Tol:±0.05)

E	4P TERMINAL	4	C5210-EH ,T=0.25	1u" Au ON CONTACT AREA, 100u" MATTE SN PLATED ON SOLDERING 60u" NICKEL UNDER PLATING OVERALL
D	5P TERMINAL	5	C5210-EH ,T=0.25	
C	SHELL	1	SUS304-1/2H T=0.30	NICKEL 60u"MIN
B	HOUSING	1	PA10T+30%GF,UL94-V0	BLUE(300C)
A	BASE	1	PA10T+30%GF,UL94-V0	BLUE(300C)
NO	DESCRIPTION	QTY	MATERIAL	PLATING & COLOR
UNLESS OTHERWISE SPECIFIED TOLERANCES		Singatron Enterprise Co., Ltd. 信音企業股份有限公司		
DECIMALS: ANGLES:		TITLE: USB3.0 REVRSE CONNECTOR		
X	:±0.5 X :±2°	DWN JTTLUCKY PART NO. 2UB4004-200251F		
X.X	:±0.3 X.X :±1°	CHKD JAMES SCALE 4:1 UNIT: mm		
X.XX	:±0.2	APVD BOYE SIZE: A3 SHEET: 10F1 REV: A		
CUSTOMER COPY				