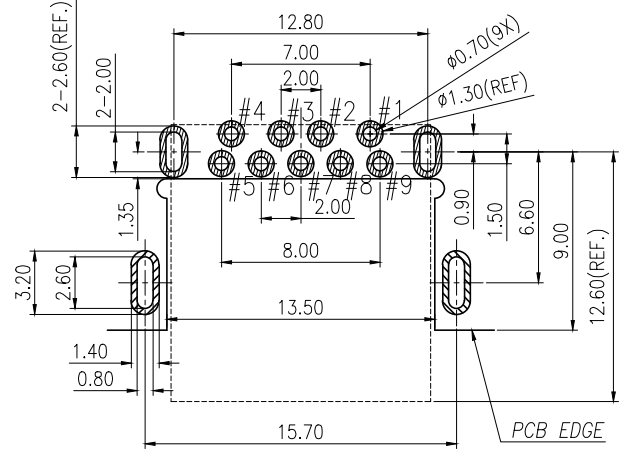
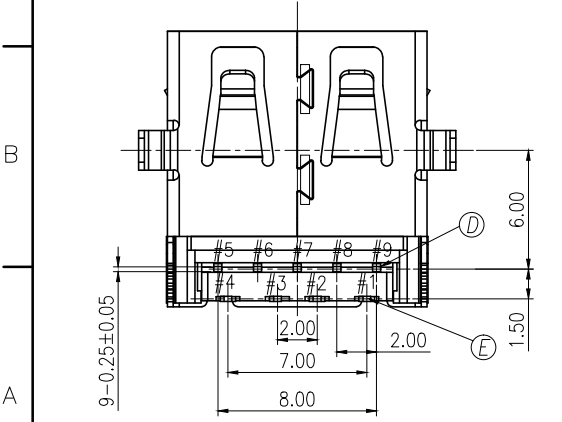
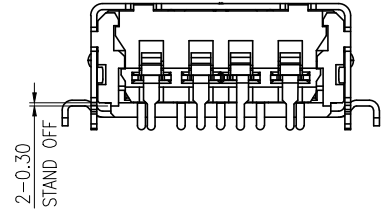
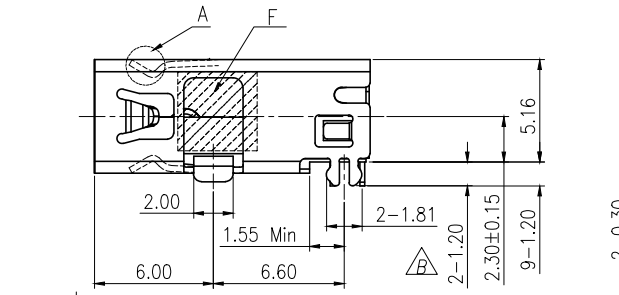
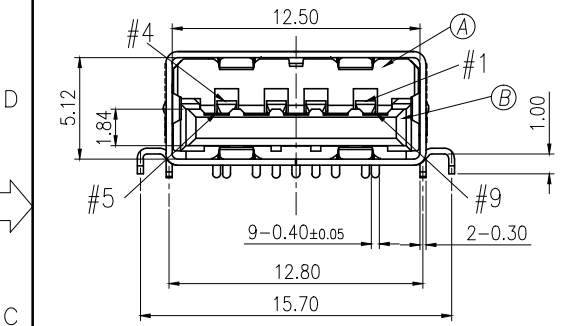
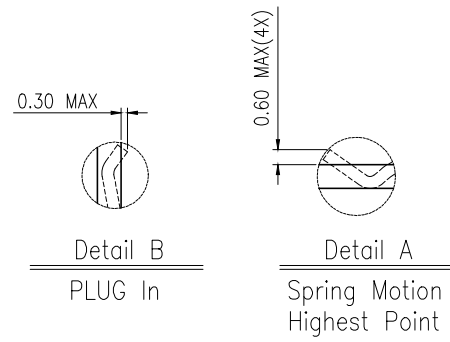
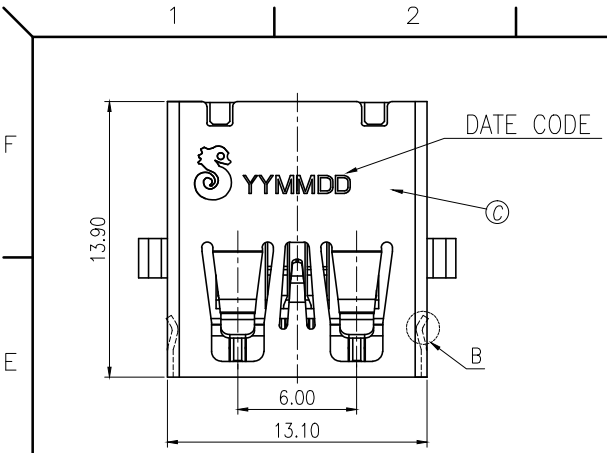


| REV. | ECN NO OR DESCRIPTION | REVISED | DATE |
|------|-----------------------|---------|------------|
| A | PDR NO:T220315-2A | XIAO | 2022.07.09 |
| B | ECN NO:S202303-C16 | ALLEN | 2023.07.24 |

SPECIFICATIONS:

- ELECTRICAL CHARACTERISTICS:
 - 1-1 CURRENT RATING:1.8A(PIN1,4);OTHER CONTACTS:0.25A
WORKING RATED VOLTAGE:30V AC
 - 1-2. CONTACT RESISTANCE: 30mΩ MAX.
 - 1-3. DIELECTRIC WITHSTANDING VOLTAGE: 100V AC FOR 1 MINUTE
 - 1-4. INSULATION RESISTANCE: 100MΩ MIN
- MECHANICAL CHARACTERISTICS:
 - 2-1. INSERTION FORCE : 3.5 Kgf MAX
 - 2-2. WITHDRAWAL FORCE : 1.0 Kgf MIN
- DURABILITY: 5,000 CYCLES.
- OTHER SPEC TO REFER USB 3.0 SPEC.
- TO CONFORM TO SINGATRON HAZARDOUS SUBSTANCE FREE SPEC.
- HALOGEN FREE PRODUCT IDENTIFICATION MARK :
- HALOGEN FREE PRODUCT IDENTIFICATION LABEL ON PACKAGING:
- FOR REFLOW SOLDERING LEAD-FREE PROCESS.
- PACKAGING : TAPE & REEL.

| Pin NO. | Signal Assignment |
|---------|-------------------|
| # 1 | VBUS |
| # 2 | D- |
| # 3 | D+ |
| # 4 | GND |
| # 5 | Stda_SSR- |
| # 6 | Stda_SSR+ |
| # 7 | GND_DRAIN |
| # 8 | Stda_SST- |
| # 9 | Stda_SST+ |
| SHELL | Shield |



Recommended P.C.B Layout (THK:1.2mm)
Top View (Tol:±0.05)

GEN 1

| | | | | |
|---------------------------------------|-------------|---------|--|--|
| F | MYLAR | 2 | 4*4*0.06T | YELLOW |
| E | 4P TERMINAL | 4 | COPPER ALLOY ,T=0.25 | 10uin Min. Gold plating on contact area, 40-80uin Min. Matte Tin plating on solder tail area, and 50uin Min. Nickel under plating. |
| D | 5P TERMINAL | 5 | COPPER ALLOY ,T=0.25 | |
| C | SHELL | 1 | SHELL T=0.30 | BLACK NICKEL 60u"MIN |
| B | HOUSING | 1 | HIGH TEMPERATURE THERMOPLASTIC UL94V-0 | BLACK |
| A | BASE | 1 | HIGH TEMPERATURE THERMOPLASTIC UL94V-0 | BLACK |
| NO | DESCRIPTION | QTY | MATERIAL | PLATING & COLOR |
| UNLESS OTHERWISE SPECIFIED TOLERANCES | | | Singatron Enterprise Co., Ltd. 信音企業股份有限公司 | |
| DECIMALS: | | ANGLES: | TITLE: USB3.0 REVRSE CONNECTOR | |
| X | :±0.5 | X | :±2° | DWN ALLEN PART NO. 2UB4004-300101F |
| X.X | :±0.3 | X.X | :±1° | CHKD SCALE 4:1 UNIT: mm |
| X.XX | :±0.2 | | | APVD BOYE SIZE: A3 SHEET: 10F1 REV: B |
| CUSTOMER COPY | | | | |