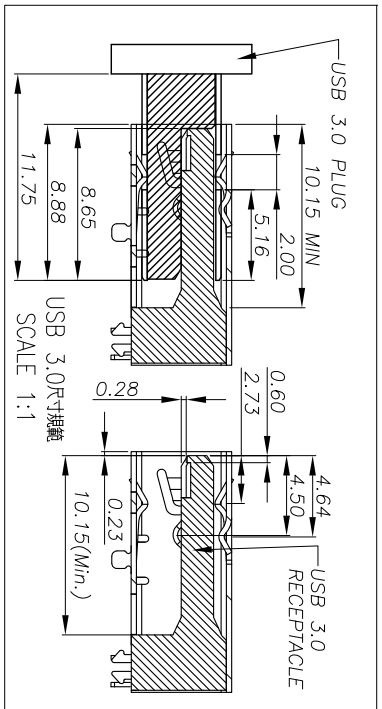


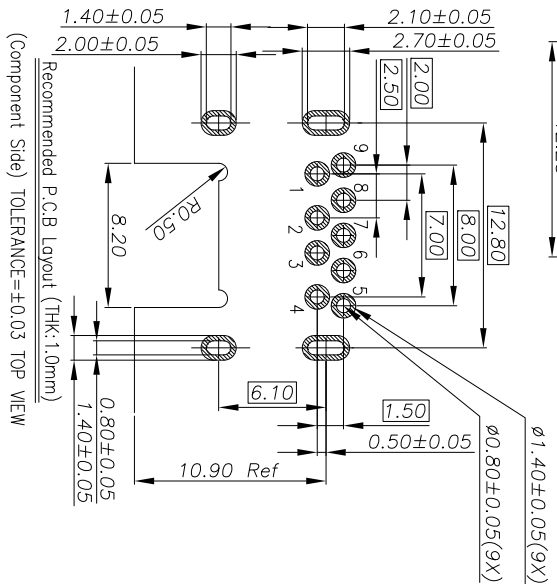
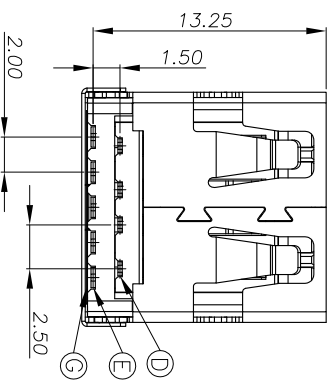
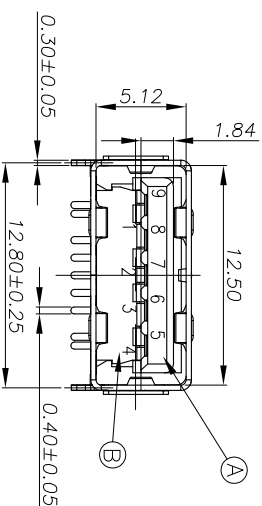
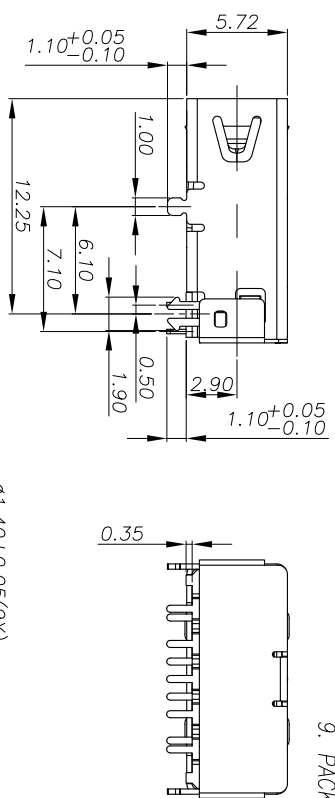
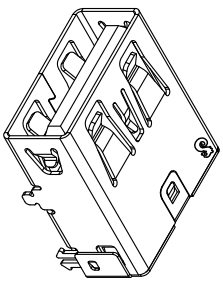
REV.	ECN NO OR DESCRIPTION	REVISED	DATE
A	PRODUCT RELEASE	VICTOR	2012.05.04
B	ECN NO: T120125	Duke	2013.05.21

SPECIFICATIONS:

- 1. ELECTRICAL CHARACTERISTICS:**
- 1-1. CURRENT RATING: 1.8A (PIN1,4) ; OTHER CONTACTS 0.25A
 - 1-2. CONTACT RESISTANCE: 30mΩ MAX
 - 1-3. DIELECTRIC WITHSTANDING VOLTAGE: 100V AC FOR 1 MINUTE
 - 1-4. INSULATION RESISTANCE: 100MΩ MIN
- 2. MECHANICAL CHARACTERISTICS:**
- 2-1. INSERTION FORCE : 3.5 Kgf MAX
 - 2-2. WITHDRAMAL FORCE : 1.0 Kgf MIN , 0.8 Kgf(AFTER TEST)
- 3. DURABILITY: 5,000 CYCLES.**
- 4. TO CONFORM TO SINGATRON HAZARDOUS SUBSTANCE FREE SPEC.**
- 5. HALOGEN FREE IDENTIFICATION MARK ON JACK: ☉**
- 6. HALOGEN FREE IDENTIFICATION LABEL ON PACKAGING:**
- 7. FOR IIR – REFLOW LEAD-FREE PROCESS.**
- 8. DATE : YM/M/DD**
- 9. PACKAGING : TAPE & REEL.**



Pin Number	Signal ASSIGNMENT
PIN 1	VBUS
PIN 2	D-
PIN 3	D+
PIN 4	GND
PIN 5	Si4A_SSRX-
PIN 6	Si4A_SSRX+
PIN 7	GND_DRAIN
PIN 8	Si4A_SSTX-
PIN 9	Si4A_SSTX+



NO	DESCRIPTION	QTY	MATERIAL	PLATING & COLOR
G	MYLAR	1	KAPTON 11.0X4.0	YELLOW
F	SHELL COVER	1	STAINLESS STEEL	
E	TERMINAL	5	COOPER ALLOY	
D	TERMINAL	4	COOPER ALLOY	
C	SHELL	1	STAINLESS STEEL	GOLD FLASH PLATED ON MATING AREA, 600 Ni 1000 Wm PLATED ON SOLDERING 600 NICKEL UNDER PLATING OVERALL
B	BASE	1	THERMOPLASTIC	BLUE
A	HOUSING	1	THERMOPLASTIC	BLUE

UNLESS OTHERWISE SPECIFIED TOLERANCES

DECIMALS: ANGLES:

X : ±0.5 X : ±2°
 X.X : ±0.3 X.X : ±1°
 X.XX : ±0.2

Singatron Enterprise Co., Ltd.
 信登企業股份有限公司

TITLE: USB 3.0 CONNECTOR
 DWG: DWN
 CHKD: X.XX
 APVD: X.XX
 PART NO. 2UB4006-000202F
 SCALE 1:1
 SIZE: A3
 SHEET: 1 OF 1
 REV: B

CUSTOMER COPY