
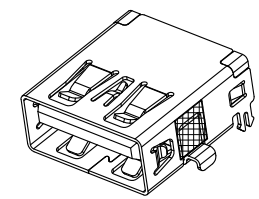
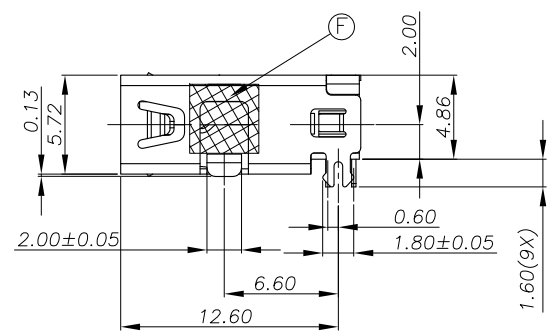
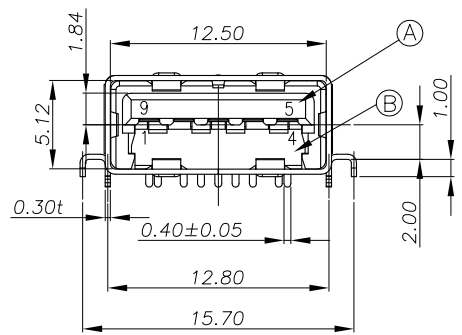
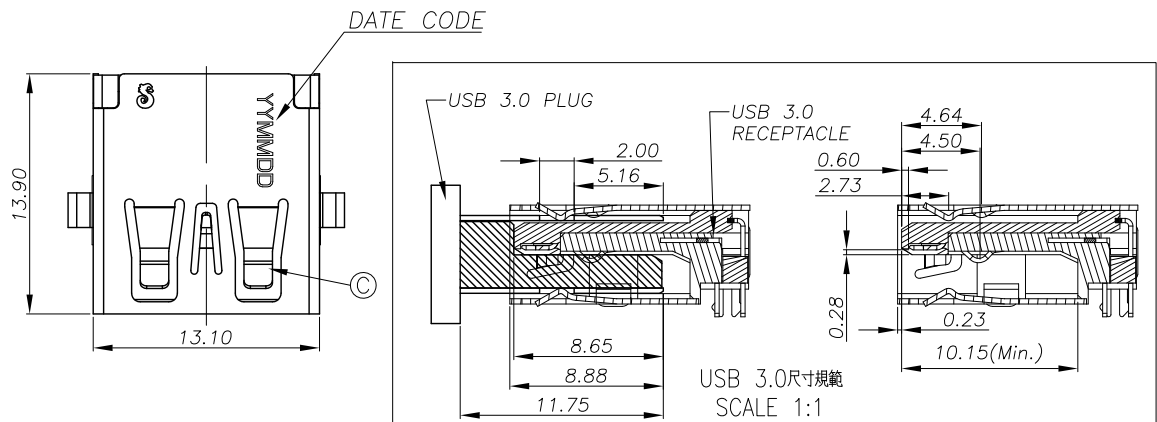


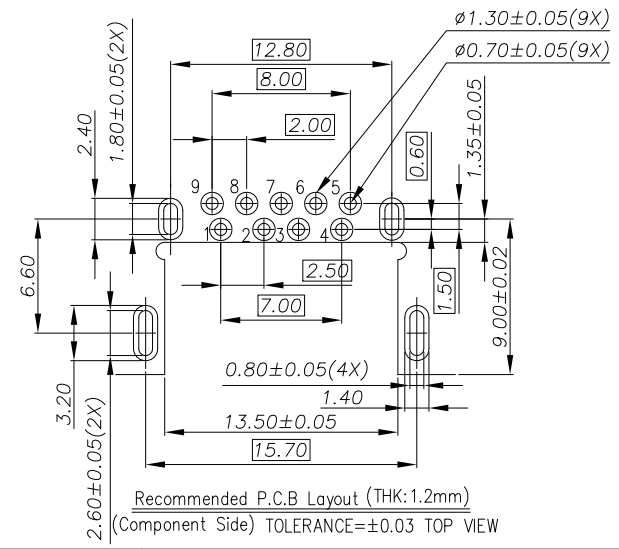
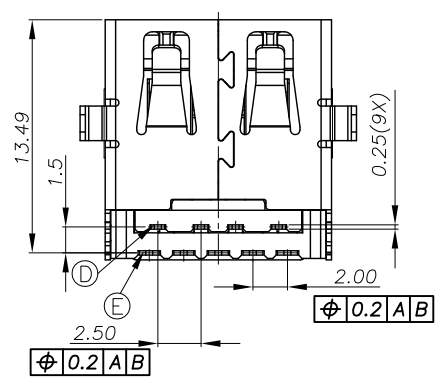
REV.	ECN NO OR DESCRIPTION	REVISED	DATE
A	PRODUCT RELEASE	Victor	2013.08.13

SPECIFICATIONS:

- ELECTRICAL CHARACTERISTICS:
 - CURRENT RATING: 1.8A (PIN1,4) ; OTHER CONTACTS 0.25A
 - CONTACT RESISTANCE: 30mΩ MAX.
 - DIELECTRIC WITHSTANDING VOLTAGE: 100V AC FOR 1 MINUTE
 - INSULATION RESISTANCE: 100MΩ MIN
- MECHANICAL CHARACTERISTICS:
 - INSERTION FORCE : 3.5 Kgf MAX
 - WITHDRAWAL FORCE : 1.0 Kgf MIN(INITIAL),0.8 Kgf(AFTER TEST)
- DURABILITY: 5,000 CYCLES.
- TO CONFORM TO SINGATRON HAZARDOUS SUBSTANCE FREE SPEC.
- HALOGEN FREE IDENTIFICATION MARK ON JACK: ©
- HALOGEN FREE IDENTIFICATION LABEL ON PACKAGING: 
- FOR IR RE-FLOW PROCESS.
- DATE : YYMMDD
- PACKAGING : TAPE & REEL.



Pin Number	Signal ASSIGNMENT
PIN 1	VBUS
PIN 2	D-
PIN 3	D+
PIN 4	GND
PIN 5	StdA_SSRX-
PIN 6	StdA_SSRX+
PIN 7	GND_DRAIN
PIN 8	StdA_SSTX-
PIN 9	StdA_SSTX+



NO	DESCRIPTION	QTY	MATERIAL	PLATING & COLOR
F	MYLAR	2	KAPTON 4*4*0.06T	YELLOW
E	TERMINAL	5	COPPER ALLOY	2u"Au OVER 30u"Pd/Ni PLATED ON MATING AREA, 120u" Sn PLATED ON SOLDERING AREA, 80u" NICKEL UNDER PLATING OVERALL
D	TERMINAL	4	COPPER ALLOY	2u"Au OVER 30u"Pd/Ni PLATED ON MATING AREA, 120u" Sn PLATED ON SOLDERING AREA, 80u" NICKEL UNDER PLATING OVERALL
C	SHELL	1	STAINLESS STEEL	NICKEL 60u"MIN
B	BASE	1	THERMOPLASTIC 94V-0	BLUE(300C)
A	HOUSING	1	THERMOPLASTIC 94V-0	BLUE(300C)

UNLESS OTHERWISE SPECIFIED TOLERANCES

DECIMALS: ANGLES:

X : ±0.5 X : ±2°

X.X : ±0.3 X.X : ±1°

X.XX : ±0.2

TITLE	USB 3.0 CONNECTOR		
DWN	VICTOR	PART NO.2UB4006-110201F	
CHKD	DUKE	SCALE 1:1	UNIT: mm
APVD	ACHENG 2013.8.13	SIZE: A3	SHEET:1 OF 1 REV: A

CUSTOMER COPY