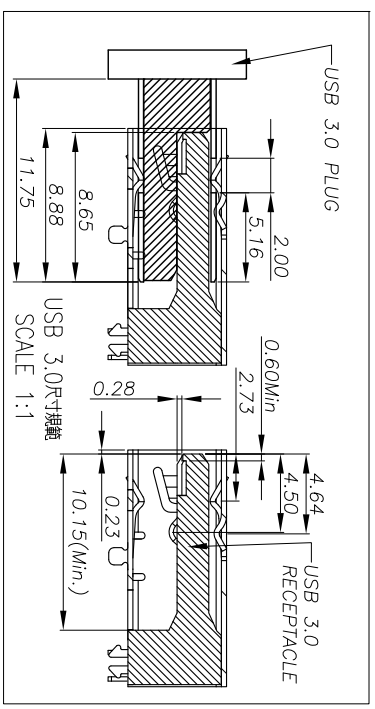
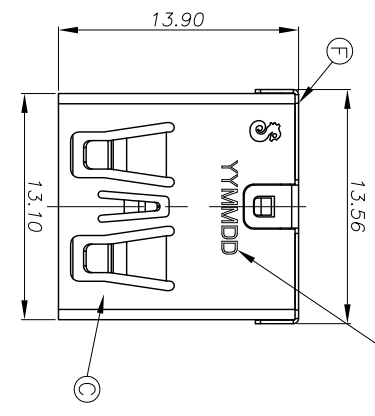
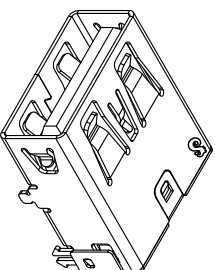
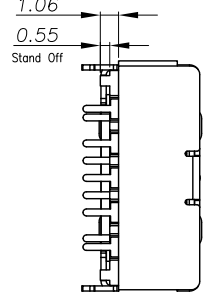
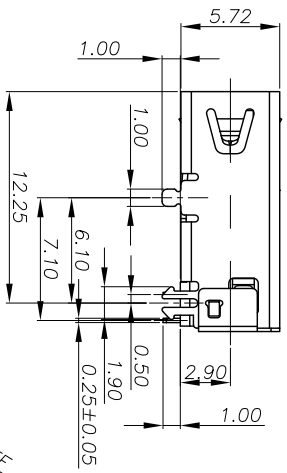
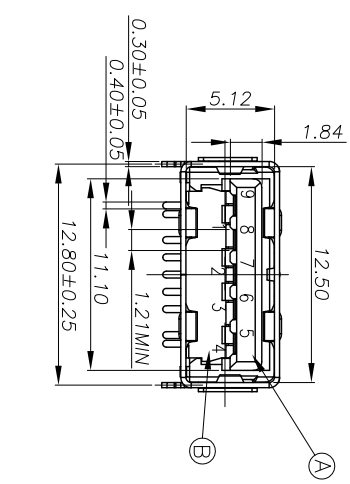


REV: A	ECN NO. OR DESCRIPTION	REVISED	DATE
PDR RELEASE	Acheng	2013.01.30	

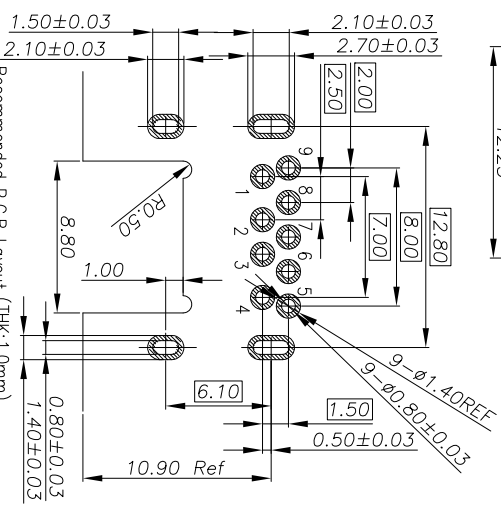
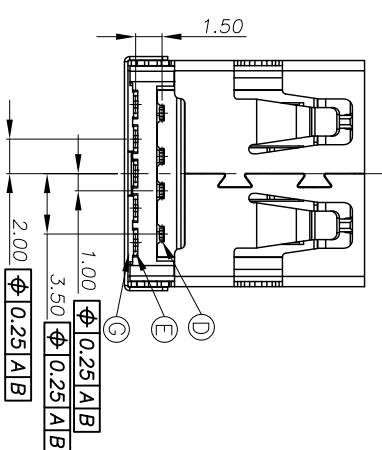
DATE CODE



- SPECIFICATIONS:
- ELECTRICAL CHARACTERISTICS:
 - CURRENT RATING: 1.8A (PIN 4) ; OTHER CONTACTS 0.25A
 - CONTACT RESISTANCE: 30mΩ MAX.
 - DIELECTRIC WITHSTANDING VOLTAGE: 100V AC FOR 1 MINUTE
 - INSULATION RESISTANCE: 100MΩ MIN
 - MECHANICAL CHARACTERISTICS:
 - INSERTION FORCE : 3.5 kgf MAX
 - WITHDRAWAL FORCE : 1.0 kgf MIN , 0.8 kgf(AFTER TEST)
 - DURABILITY: 5,000 CYCLES.
 - TO CONFORM TO SINGATRON HAZARDOUS SUBSTANCE FREE SPEC.
 - HALOGEN PRODUCT IDENTIFICATION MARK ON JACK: ©
 - HALOGEN PRODUCT IDENTIFICATION LABEL ON PACKAGING:
 - FOR IR - REFLOW PROCESS.
 - DATE : YYMMDD
 - PACKAGING : TAPE & REEL.



Pin Number	Signal ASSIGNMENT
PIN 1	VBUS
PIN 2	D-
PIN 3	D+
PIN 4	GND
PIN 5	SDA_SSRX-
PIN 6	SDA_SSRX+
PIN 7	GND_DRAIN
PIN 8	SDA_SSTX-
PIN 9	SDA_SSTX+



Recommended P.C.B Layout (Thk: 1.0mm)
(Component Side) TOLERANCE=±0.03

NO	DESCRIPTION	QTY	MATERIAL	PLATING & COLOR
G	MYLAR	1	STAINLESS STEEL	
F	SHELL COVER	1	STAINLESS STEEL	
E	TERMINAL	5	COOPER ALLOY	
D	TERMINAL	4	COOPER ALLOY	4/2U "HP/N50U" PLATED ON MATING AREA Matte Sn 100U/PLATED ON SOLDERING 80U/NICKEL UNDER PLATING OVERALL
C	SHELL	1	STAINLESS STEEL	NICKEL 60U"MIN
B	BASE	1	PA-9T	BLACK
A	HOUSING	1	PA-9T	BLACK
NO	DESCRIPTION	QTY	MATERIAL	PLATING & COLOR

UNLESS OTHERWISE SPECIFIED TOLERANCES
 Singatron Enterprise Co., Ltd.
 信音企業股份有限公司

DECIMALS:	ANGLES:	TITLE
X : ±0.50	X : ±2°	USB 3.0 CONNECTOR
X.X : ±0.30	X.X : ±1°	
X.XX : ±0.25		

CHKD	ENR	SCALE	UNIT	SHEET	REV
APVD	ACHENG	2013.01.30	A3	1 OF 1	A

CUSTOMER COPY