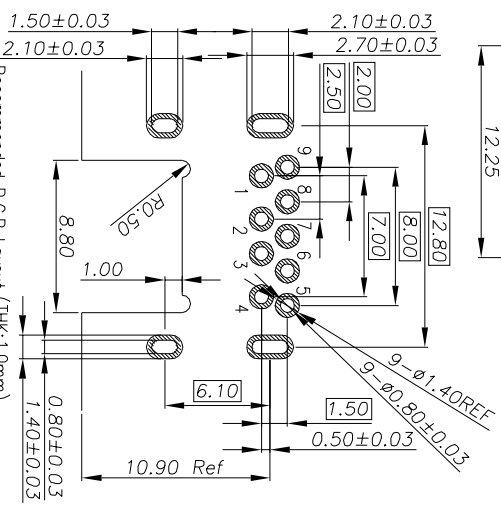
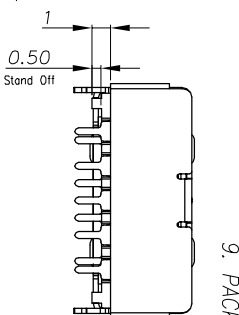
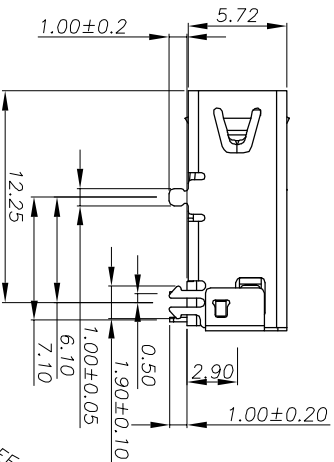
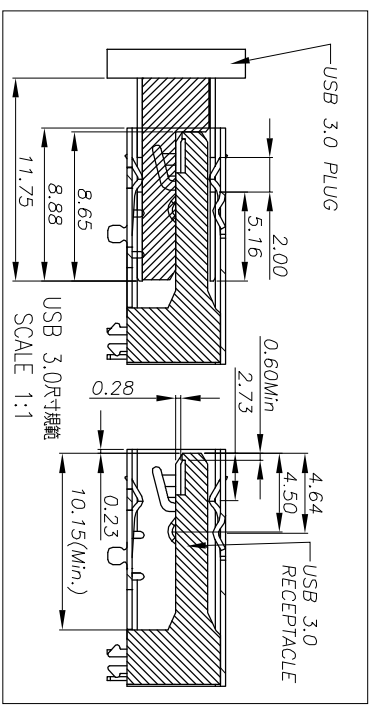
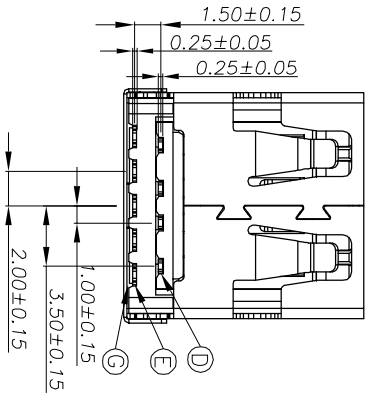
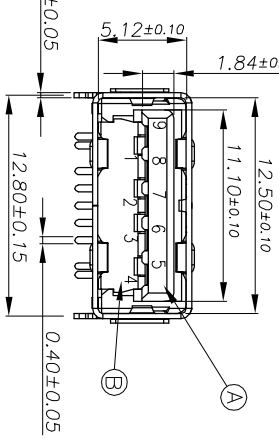
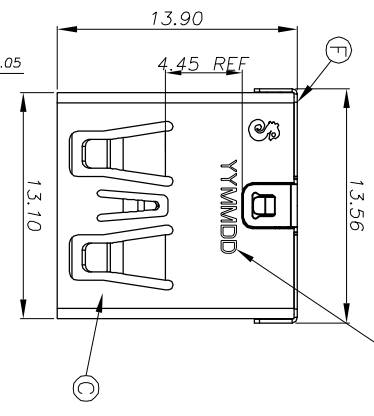


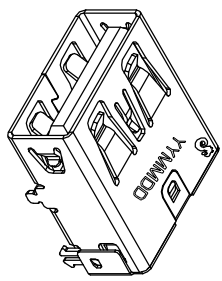
DATE CODE



Recommended P.C.B. Layout (Thk: 1.0mm)  
(Component Side) TOLERANCE=±0.03

SPECIFICATIONS:

- ELECTRICAL CHARACTERISTICS:
  - CURRENT RATING: 1.8A (PIN1,4) ; OTHER CONTACTS 0.25A
  - CONTACT RESISTANCE: 30mΩ MAX.
  - DIELECTRIC WITHSTANDING VOLTAGE: 100V AC FOR 1 MINUTE
  - INSULATION RESISTANCE: 100MΩ MIN
- MECHANICAL CHARACTERISTICS:
  - INSERTION FORCE : 3.5 kgf MAX
  - WITHDRAWAL FORCE : 1.0~2.5kgf , 0.8~2.5kgf(AFTER TEST)
- DURABILITY: 5,000 CYCLES.
- TO CONFORM TO SINGATRON HAZARDOUS SUBSTANCE FREE SPEC.
- HALOGEN FREE PRODUCT IDENTIFICATION MARK ON JACK: ©
- HALOGEN FREE PRODUCT IDENTIFICATION LABEL ON PACKAGING:
- FOR IR - REFLOW LEAD-FREE PROCESS.
- DATE : YMMDD
- PACKAGING : TAPE & REEL.



Pin Number	Signal ASSIGNMENT
PIN 1	VBUS
PIN 2	D-
PIN 3	D+
PIN 4	GND
PIN 5	SDA_SSRX-
PIN 6	SDA_SSRX+
PIN 7	GND_DRAIN
PIN 8	SDA_SSTX-
PIN 9	SDA_SSTX+

G	MYLAR	1	STAINLESS STEEL		
F	SHELL COVER	1	STAINLESS STEEL		
E	TERMINAL	5	COOPER ALLOY	4x2.5" *P/N30" PLATED ON MATING AREA NOTE S1: 100% PLATED ON SOLDERING 80% NICKEL UNDER PLATING OVERALL	
D	TERMINAL	4	COOPER ALLOY	4x2.5" *P/N30" PLATED ON MATING AREA NOTE S1: 100% PLATED ON SOLDERING 80% NICKEL UNDER PLATING OVERALL	
C	SHELL	1	STAINLESS STEEL	NICKEL 60U"MIN	
B	BASE	1	PA-9T	BLUE(300C)	
A	HOUSING	1	PA-9T	BLUE(300C)	
NO	DESCRIPTION		MATERIAL	PLATING & COLOR	

UNLESS OTHERWISE SPECIFIED TOLERANCES

Singatron Enterprise Co., Ltd.  
信晉企業股份有限公司

DECIMALS: ANGLES:

X : ±0.50 X : ±2°  
X.X : ±0.30 X.X : ±1°  
X.XX : ±0.25

TITLE: USB 3.0 CONNECTOR  
DWG: PENG PART NO. 2UB4006-150202P  
CHKD: JAMES SCALE: 1:1 UNIT: mm  
APVD: BOYE SIZE: A3 SHEET: 1 OF 1 REV: E

CUSTOMER COPY