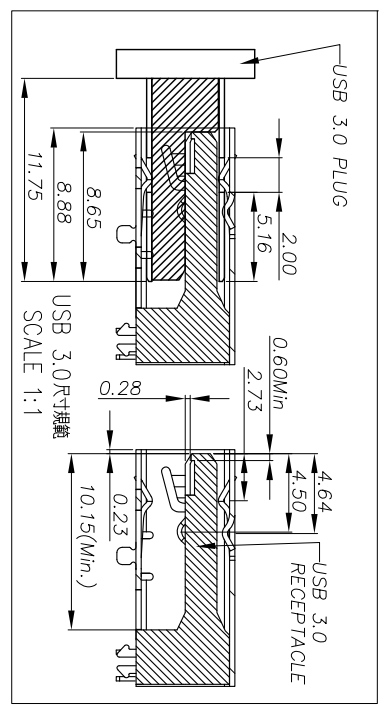
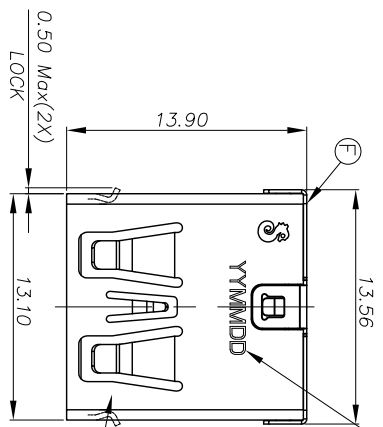
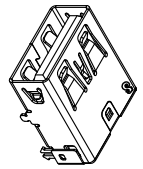
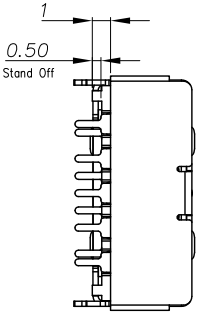
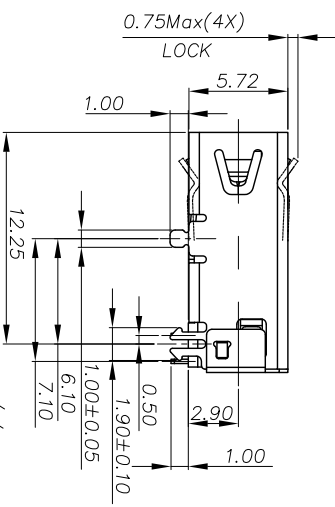
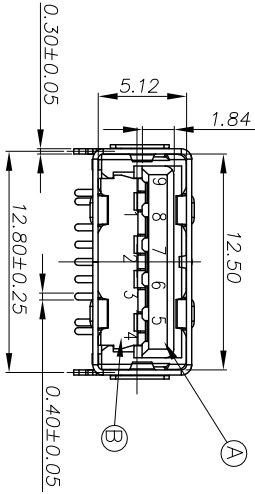


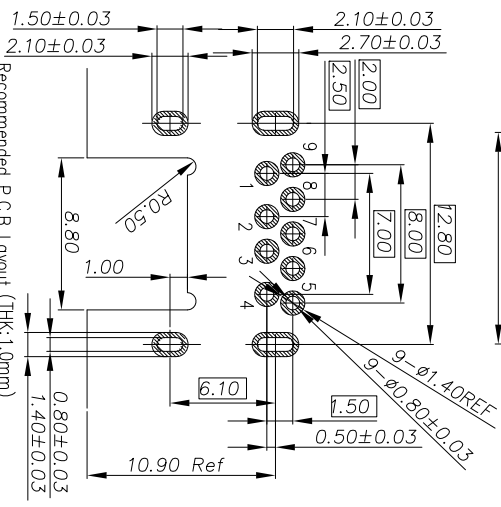
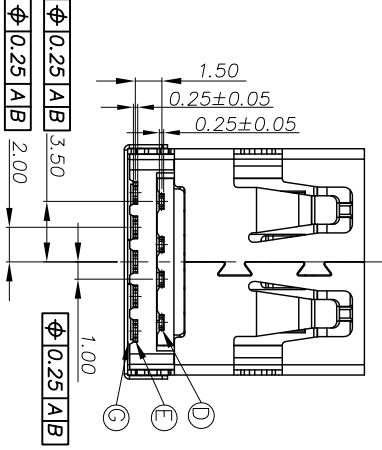
DATE CODE



- SPECIFICATIONS:
- ELECTRICAL CHARACTERISTICS:
 - 1-1. CURRENT RATING: 1.8A (PIN1,4) ; OTHER CONTACTS 0.25A
 - 1-2. CONTACT RESISTANCE: 50mΩ MAX.
 - 1-3. DIELECTRIC WITHSTANDING VOLTAGE: 100V AC FOR 1 MINUTE
 - 1-4. INSULATION RESISTANCE: 100MΩ MIN
 - MECHANICAL CHARACTERISTICS:
 - 2-1. INSERTION FORCE : 3.5 Kgf MAX
 - 2-2. WITHDRAWAL FORCE : 1.0 Kgf MIN , 0.8 Kgf(AFTER TEST)
 - DURABILITY: 5,000 CYCLES.
 - TO CONFORM TO SINGATRON HAZARDOUS SUBSTANCE FREE SPEC.
 - HALOGEN PRODUCT IDENTIFICATION MARK ON JACK: ©
 - HALOGEN PRODUCT IDENTIFICATION LABEL ON PACKAGING
 - FOR IR - REFLOW LEAD-FREE PROCESS.
 - DATE : YMMDD
 - PACKAGING : TAPE & REEL.



Pin Number	Signal ASSIGNMENT
PIN 1	VBUS
PIN 2	D-
PIN 3	D+
PIN 4	GND
PIN 5	SDA_SSRX-
PIN 6	SDA_SSRX+
PIN 7	GND_DRAIN
PIN 8	SDA_SSTX-
PIN 9	SDA_SSTX+



Recommended P.C.B Layout (THK:1.0mm)
(Component Side) TOLERANCE=±0.03

G	MYLAR	1	STAINLESS STEEL	
F	SHELL COVER	1	STAINLESS STEEL	2,7 GOLD OVER 30μ"/PIN PLATED ON MATING AREA/100μ" MATTE IN PLATED ON SOLDERING 800/NICKEL UNDER PLATING OVERALL
E	TERMINAL	5	COOPER ALLOY	
D	TERMINAL	4	COOPER ALLOY	2,7 GOLD OVER 30μ"/PIN PLATED ON MATING AREA/100μ" MATTE IN PLATED ON SOLDERING 800/NICKEL UNDER PLATING OVERALL
C	SHELL	1	STAINLESS STEEL	NICKEL 60μ" MIN
B	BASE	1	PA-9T	BLUE
A	HOUSING	1	PA-9T	BLUE
NO	DESCRIPTION	QTY	MATERIAL	PLATING & COLOR

UNLESS OTHERWISE SPECIFIED TOLERANCES

Singatron Enterprise Co., Ltd.
信亨企業股份有限公司

TITLE	USB 3.0 CONNECTOR		
DRAWN	DATE	PART NO.	REV.
CHKD	SCALE	UNIT	REV.
APVD	SIZE	SHEET	REV.
CUSTOMER COPY			

REV	ECN NO	OR DESCRIPTION	REVISED	DATE
A		PRODUCT RELEASE	Victor	2013.04.23
B		ECN NO. IT130112	BERYL	2013.12.23