
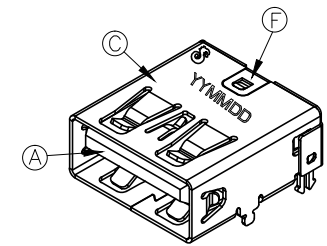
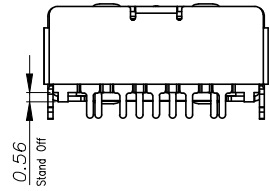
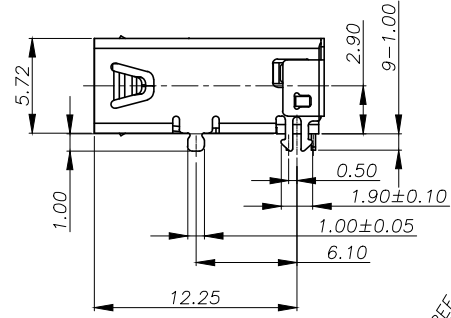
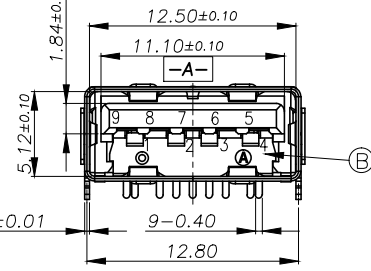
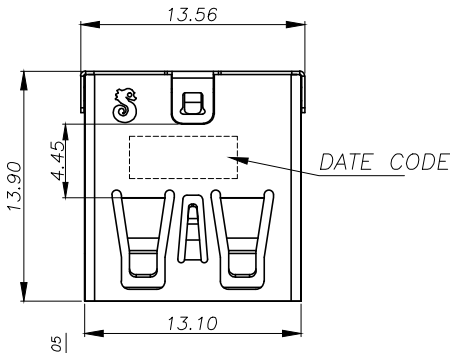
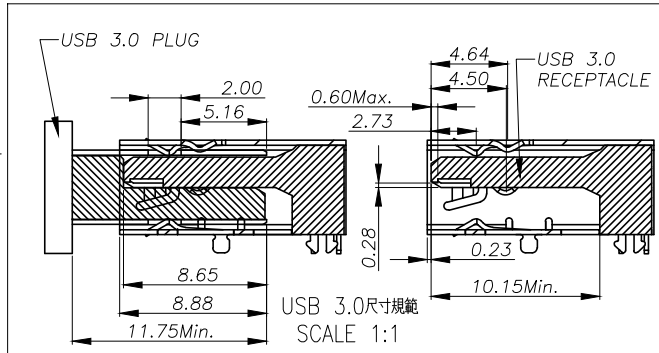


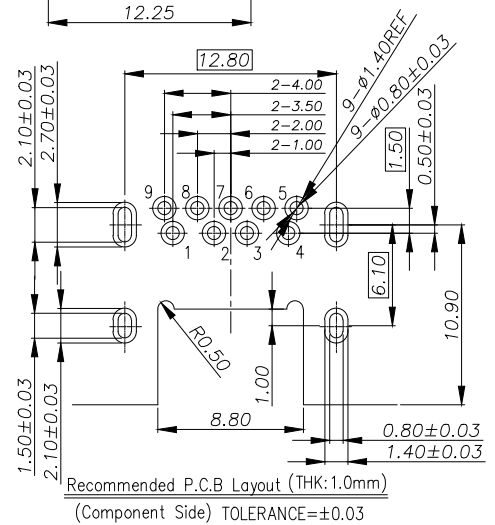
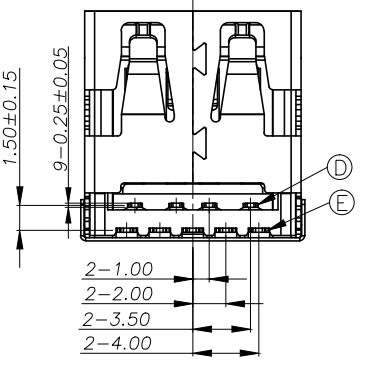
REV.	ECN NO OR DESCRIPTION	REVISED	DATE
A	PDR NO.T190304-3A	Charles	2019.05.27


SPECIFICATIONS:

- ELECTRICAL CHARACTERISTICS:
 - CURRENT RATING: 1.8A (PIN1,4) ; OTHER CONTACTS 0.25A
 - CONTACT RESISTANCE: 30mΩ MAX.
 - DIELECTRIC WITHSTANDING VOLTAGE: 100V AC FOR 1 MINUTE
 - INSULATION RESISTANCE: 100MΩ MIN
- MECHANICAL CHARACTERISTICS:
 - INSERTION FORCE : 3.5 Kgf MAX
 - WITHDRAWAL FORCE : 1.0~2.5Kgf ,0.8~2.5Kgf(AFTER TEST)
- DURABILITY: 5,000 CYCLES.
- TO CONFORM TO SINGATRON HAZARDOUS SUBSTANCE FREE SPEC.
- HALOGEN FREE PRODUCT IDENTIFICATION MARK ON JACK: Ⓢ
- HALOGEN FREE PRODUCT IDENTIFICATION LABEL ON PACKAGING: 
- FOR IR - REFLOW LEAD-FREE PROCESS.
- DATE : YYMMDD
- PACKAGING : TAPE & REEL.



Pin Number	Signal ASSIGNMENT
PIN 1	VBUS
PIN 2	D-
PIN 3	D+
PIN 4	GND
PIN 5	StdA_SSRX-
PIN 6	StdA_SSRX+
PIN 7	GND_DRAIN
PIN 8	StdA_SSTX-
PIN 9	StdA_SSTX+



F	SHELL COVER	1	STAINLESS STEEL	
E	TERMINAL	5	COOPER ALLOY	Au2u"+P/N30u" PLATED ON MATING AREA, Matte Sn 100u" PLATED ON SOLDERING 80u" NICKEL UNDER PLATING OVERALL
D	TERMINAL	4	COOPER ALLOY	Au2u"+P/N30u" PLATED ON MATING AREA, Matte Sn 100u" PLATED ON SOLDERING 80u" NICKEL UNDER PLATING OVERALL
C	SHELL	1	STAINLESS STEEL	NICKEL 60u" MIN
B	BASE	1	PA-9T	BLUE(300C)
A	HOUSING	1	PA-10T	BLUE(300C)
NO	DESCRIPTION	QTY	MATERIAL	PLATING & COLOR
UNLESS OTHERWISE SPECIFIED TOLERANCES		 Singatron Enterprise Co., Ltd. 信音企業股份有限公司		
DECIMALS: ANGLES:		TITLE: USB 3.0 CH=2.90 NORMAL		
X	:±0.50 X :±2°	DWN	Charles	PART NO.2UB4006-150402F
X.X	:±0.30 X.X :±1°	CHKD	James	SCALE 1:1 UNIT: mm
X.XX	:±0.25	APVD	Boye	SIZE: A3 SHEET:1 OF 1 REV:A
CUSTOMER COPY				