
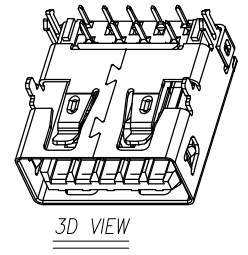
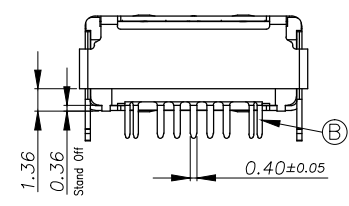
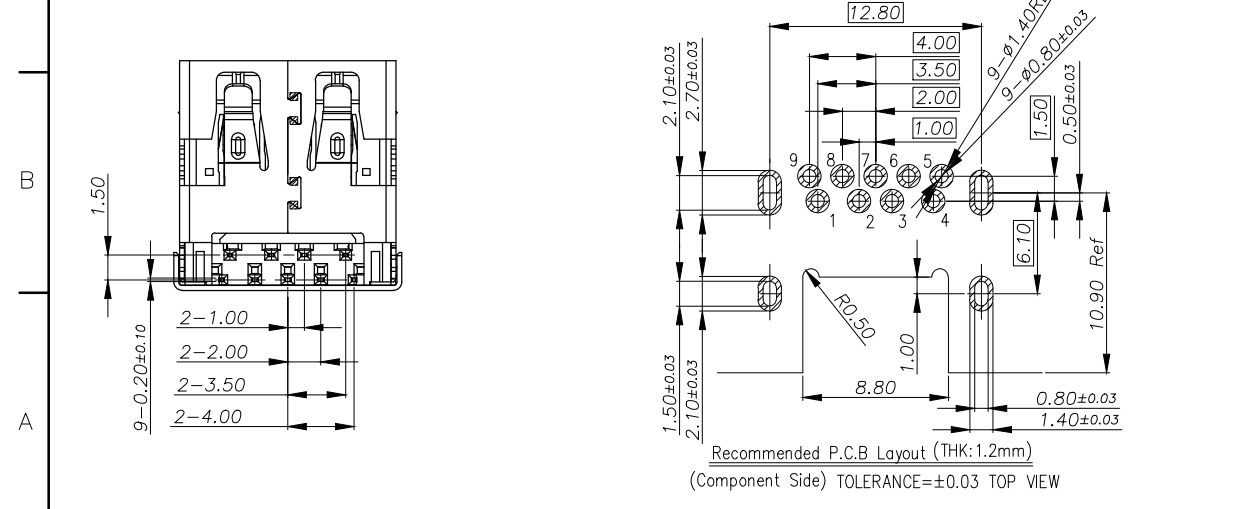
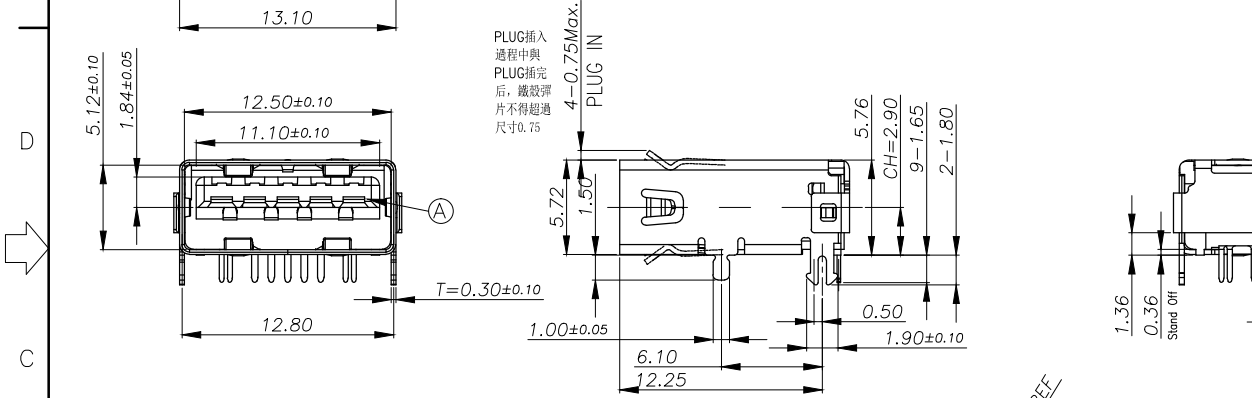
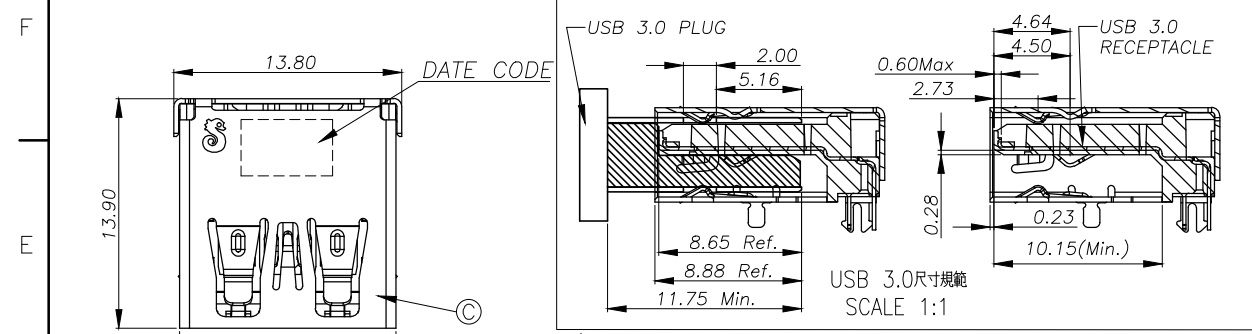



Pin Number	PIN 1	PIN 2	PIN 3	PIN 4	PIN 5	PIN 6	PIN 7	PIN 8	PIN 9
Signal ASSIGNMENT	VBUS	D-	D+	GND	StdA_SSRX-	StdA_SSRX+	GND_DRAIN	StdA_SSTX-	StdA_SSTX+

REV.	ECN NO OR DESCRIPTION	REVISED	DATE
A	PRODUCT RELEASE	Duke	2014.04.25
B	ECN NO: S190152-E	Charles	2019.09.16
C	ECN NO: S202210-Q01	BING	2023.02.15

SPECIFICATIONS:

- ELECTRICAL CHARACTERISTICS:
  - CURRENT RATING: 1.8A (PIN1,4) ; OTHER CONTACTS 0.25A
  - CONTACT RESISTANCE: 30mΩ MAX.
  - DIELECTRIC WITHSTANDING VOLTAGE: 300V AC FOR 1 MINUTE
  - INSULATION RESISTANCE: 100MΩ MIN
- MECHANICAL CHARACTERISTICS:
  - INSERTION FORCE : 3.5 Kgf MAX
  - WITHDRAWAL FORCE : 1.0 Kgf~2.5 Kgf(INITIAL)  
0.8 Kgf~2.5 Kgf(AFTER TEST)
- DURABILITY: 5,000 CYCLES.
- TO CONFORM TO SINGATRON HAZARDOUS SUBSTANCE FREE SPEC.
- HALOGEN FREE IDENTIFICATION MARK ON JACK: ©
- HALOGEN FREE IDENTIFICATION LABEL ON PACKAGING: 
- FOR IR - REFLOW PROCESS.
- DATE : YYMMDD
- PACKAGING : TAPE & REEL.



C	SHELL	1	SUS304-1/2H T=0.30mm	NICKEL 60uin MIN
B	TERMINAL	9	C5210-EH T=0.20mm	Au30u* PLATED ON MATING AREA, Matte Sn 100u* PLATED ON SOLDERING 80u* NICKEL UNDER PLATING OVERALL
A	HOUSING	1	PA9T+45% UL94V-0	BLACK
NO	DESCRIPTION	QTY	MATERIAL	PLATING & COLOR
UNLESS OTHERWISE SPECIFIED TOLERANCES		 Singatron Enterprise Co., Ltd. 信音企業股份有限公司		
DECIMALS: ANGLES:		TITLE: USB 3.0 CONNECTOR		
X	:±0.50	X	:±2°	DWN BING PART NO.2UB4006-150501F
X.X	:±0.30	X.X	:±1°	CHKD ALLEN SCALE 1:1 UNIT: mm
X.XX	:±0.2	APVD	Boye	SIZE: A3 SHEET:1 OF 1 REV:C
<b>CUSTOMER COPY</b>				