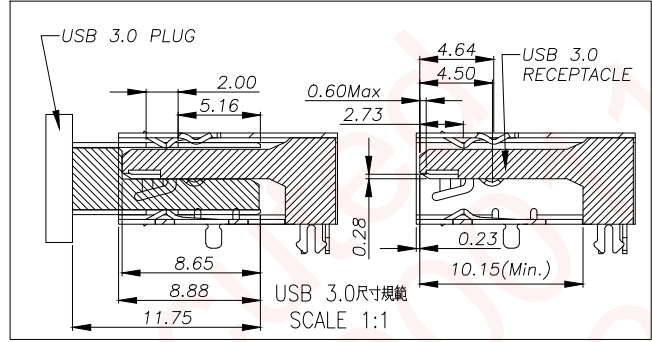
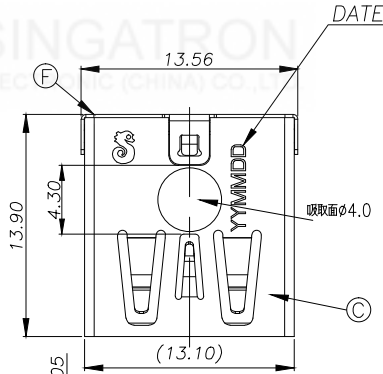
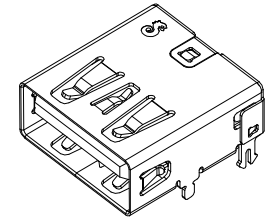
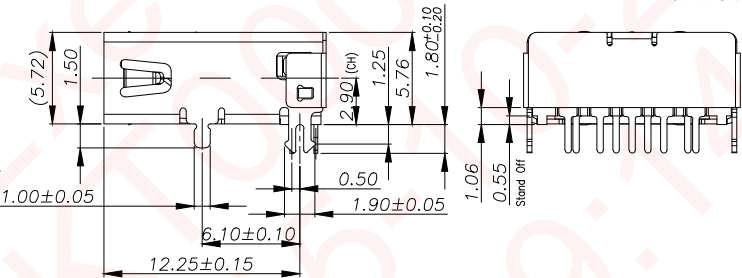
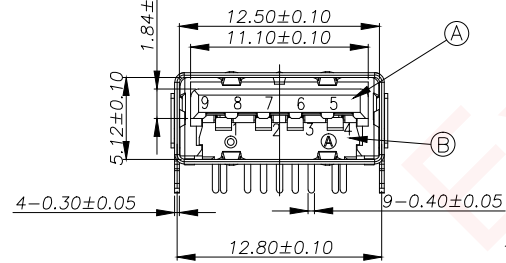


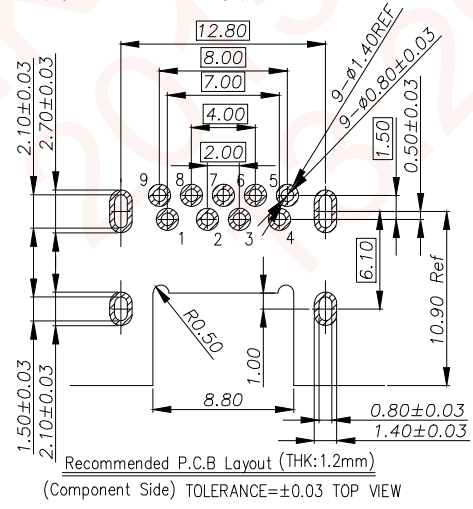
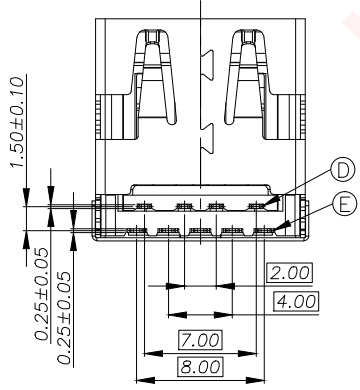
REV.	ECN NO OR DESCRIPTION	REVISED	DATE
A	PDR NO.:T150601-1A	TOMMY	2015.09.23



- SPECIFICATIONS:**
- ELECTRICAL CHARACTERISTICS:**
 - CURRENT RATING: 1.8A (PIN1,4) ; OTHER CONTACTS 0.25A
 - CONTACT RESISTANCE: 30mΩ MAX.
 - DIELECTRIC WITHSTANDING VOLTAGE: 300V AC FOR 1 MINUTE
 - INSULATION RESISTANCE: 100MΩ MIN
 - MECHANICAL CHARACTERISTICS:**
 - INSERTION FORCE : 3.5 Kgf MAX
 - WITHDRAWAL FORCE : 1.0 Kgf~2.5 Kgf(INITIAL)
0.8 Kgf~2.5 Kgf(AFTER TEST)
 - DURABILITY:** 5,000 CYCLES.
 - TO CONFORM TO SINGATRON HAZARDOUS SUBSTANCE FREE SPEC.
 - HALOGEN FREE IDENTIFICATION MARK ON JACK: Ⓢ
 - HALOGEN FREE IDENTIFICATION LABEL ON PACKAGING:
 - FOR IR - REFLOW PROCESS.
 - DATE : YMMDD
 - PACKAGING : TAPE & REEL.



Pin Number	Signal ASSIGNMENT
PIN 1	VBUS
PIN 2	D-
PIN 3	D+
PIN 4	GND
PIN 5	StdA_SSRX-
PIN 6	StdA_SSRX+
PIN 7	GND_DRAIN
PIN 8	StdA_SSTX-
PIN 9	StdA_SSTX+



F	SHELL COVER	1	STAINLESS STEEL	
E	TERMINAL	5	COOPER ALLOY	Au20u+Pd/Ni30u IN PLATED ON MATING AREA, Matte Sn 100u PLATED ON SOLDERING 80u NICKEL UNDER PLATING OVERALL
D	TERMINAL	4	COOPER ALLOY	Au20u+Pd/Ni30u IN PLATED ON MATING AREA, Matte Sn 100u PLATED ON SOLDERING 80u NICKEL UNDER PLATING OVERALL
C	SHELL	1	STAINLESS STEEL	NICKEL 60u"MIN
B	BASE	1	PA-9T UL94-V0	BLUE 300C
A	HOUSING	1	PA-9T UL94-V0	BLUE 300C
NO	DESCRIPTION	QTY	MATERIAL	PLATING & COLOR

UNLESS OTHERWISE SPECIFIED TOLERANCES		Singatron Enterprise Co., Ltd. 信音企業股份有限公司	
DECIMALS:	ANGLES:	TITLE: USB 3.0 CONNECTOR	
X : ±0.50	X : ±2°	DWN TOMMY	PART NO.2UB4006-151302F
X.X : ±0.30	X.X : ±1°	CHKD BOYE	SCALE 1:1 UNIT: mm
X.XX : ±0.2		APVD BOYE	SIZE: A3 SHEET: 1 OF 1 REV: A
CUSTOMER COPY			