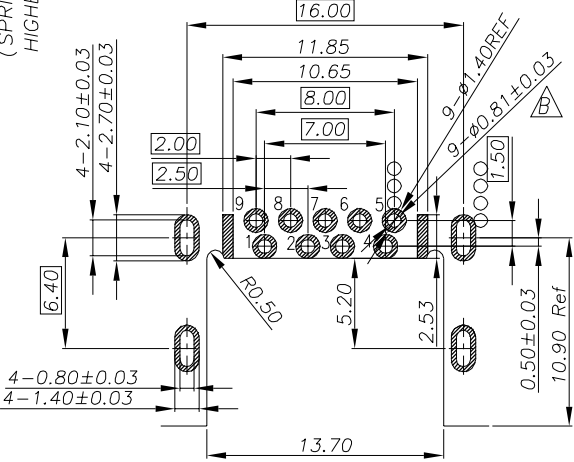
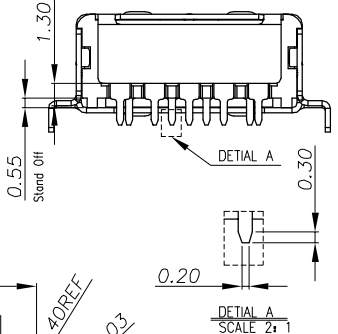
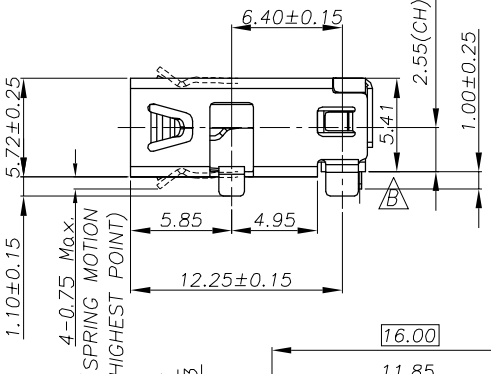
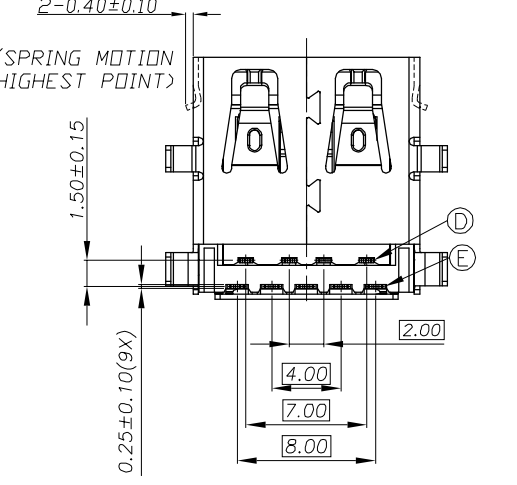
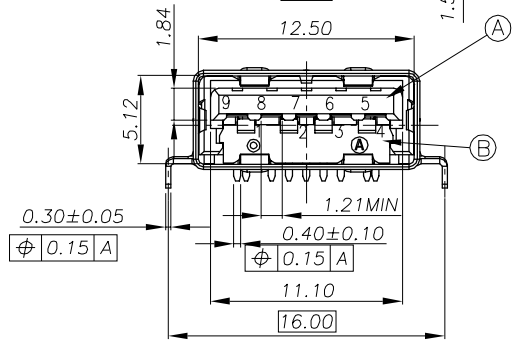
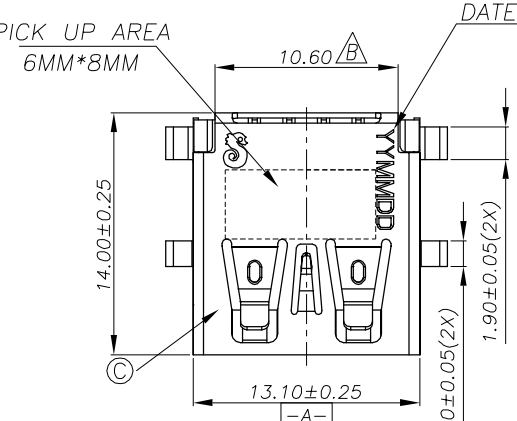
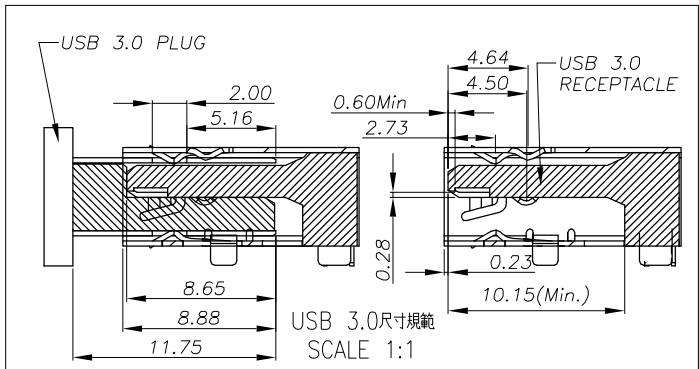


REV.	ECN NO OR DESCRIPTION	REVISED	DATE
A	PDR NO.: T161122-6A	Eileen	2017.07.24
B	ECN NO.: S181137-C	WENRONG	2018.12.12

- SPECIFICATIONS:
- ELECTRICAL CHARACTERISTICS:
1-1. CURRENT RATING: 1.8A (PIN1,4) ; OTHER CONTACTS 0.25A
1-2. CONTACT RESISTANCE: 30mΩ MAX.
1-3. DIELECTRIC WITHSTANDING VOLTAGE: 100V AC FOR 1 MINUTE
1-4. INSULATION RESISTANCE: 100MΩ MIN
 - MECHANICAL CHARACTERISTICS:
2-1. INSERTION FORCE : 3.57 Kgf MAX
2-2. WITHDRAWAL FORCE : 1.02 Kgf MIN
 - DURABILITY: 1,500 CYCLES.
 - TO CONFORM TO SINGATRON HAZARDOUS SUBSTANCE FREE SPEC.
 - HALOGEN PRODUCT IDENTIFICATION MARK ON JACK: ☉
 - HALOGEN PRODUCT IDENTIFICATION LABEL ON PACKAGING: Ⓢ
 - FOR IR - REFLOW PROCESS.
 - DATE : YYMMDD
 - PACKAGING : TAPE & REEL.



Recommended P.C.B Layout (THK:1.0mm)
(Component Side) TOLERANCE=±0.03

Pin Number	Signal ASSIGNMENT
PIN 1	VBUS
PIN 2	D-
PIN 3	D+
PIN 4	GND
PIN 5	StdA_SSRX-
PIN 6	StdA_SSRX+
PIN 7	GND_DRAIN
PIN 8	StdA_SSTX-
PIN 9	StdA_SSTX+

E	TERMINAL	QTY	DESCRIPTION	MATERIAL	PLATING & COLOR
E	TERMINAL	5	C2680-H 0.25T		Au2u" PLATED ON MATING AREA, Matte Sn 100u"PLATED ON SOLDERING 80u"NICHEL UNDER PLATING OVERALL
D	TERMINAL	4	C5210-EH 0.25T		Au2u" PLATED ON MATING AREA, Matte Sn 100u"PLATED ON SOLDERING 80u"NICHEL UNDER PLATING OVERALL
C	SHELL	1	SUS 304-1/2H 0.3T		NICKEL 60u"MIN
B	BASE	1	PA9T 45% GF 94V-0 GP2450NH-2		BLACK
A	HOUSING	1	PA9T 45% GF 94V-0 GP2450NH-2		BLACK
NO	DESCRIPTION	QTY	MATERIAL PLATING & COLOR		

UNLESS OTHERWISE SPECIFIED TOLERANCES

DECIMALS: ANGLES:

X	:±0.50	X	:±2°
X.X	:±0.30	X.X	:±1°
X.XX	:±0.25		

TITLE	USB 3.0 CONNECTOR			
DWN	WENRONG	PART NO.2UB4006-152101F		A
CHKD	JAMES	SCALE 1:1	UNIT: mm	
APVD	BOYE	SIZE: A3	SHEET:1 OF 1	REV:B

CUSTOMER COPY