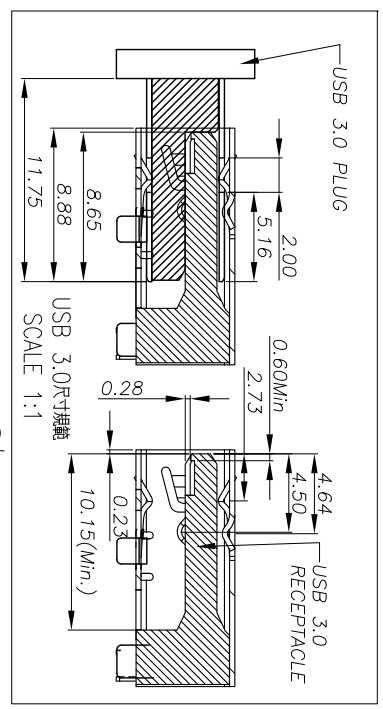
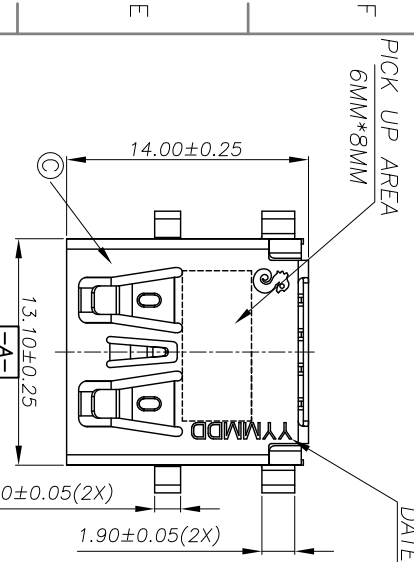
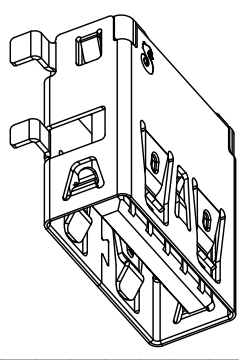
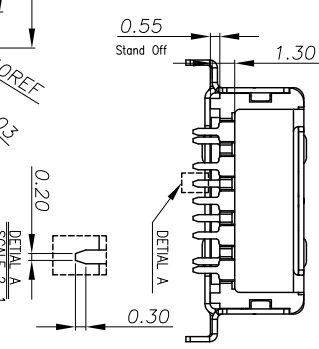
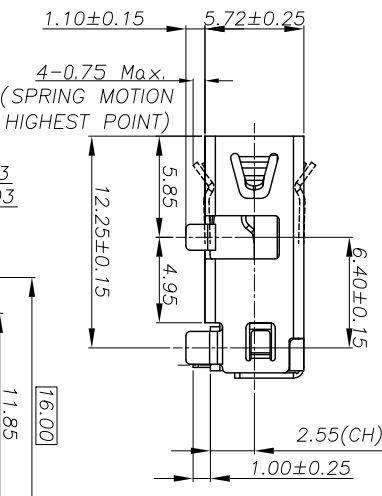


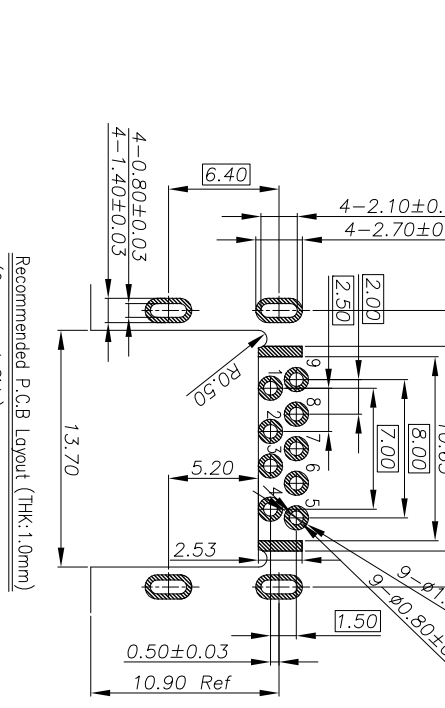
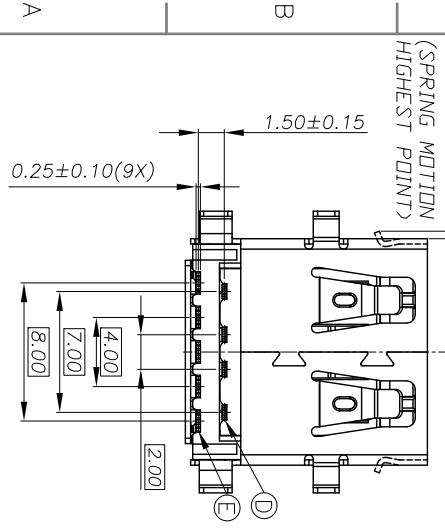
REV. ECN NO OR DESCRIPTION	REVISED	DATE
A PDR NO.: T161122-6B	Eileen	2017.07.24



- SPECIFICATIONS:
- ELECTRICAL CHARACTERISTICS:
 - CURRENT RATING: 1.8A (PIN 4) ; OTHER CONTACTS 0.25A
 - CONTACT RESISTANCE: 30mΩ MAX.
 - DIELECTRIC WITHSTANDING VOLTAGE: 100V AC FOR 1 MINUTE
 - INSULATION RESISTANCE: 100MΩ MIN
 - MECHANICAL CHARACTERISTICS:
 - INSERTION FORCE : 3.57 Kgf MAX
 - WITHDRAWAL FORCE : 1.02 Kgf MIN
 - DURABILITY: 1,500 CYCLES.
 - TO CONFORM TO SINGATRON HAZARDOUS SUBSTANCE FREE SPEC.
 - HALOGEN PRODUCT IDENTIFICATION MARK ON JACK: ☉
 - HALOGEN PRODUCT IDENTIFICATION LABEL ON PACKAGING: ☉
 - FOR IR - REFLOW PROCESS.
 - DATE : YMMDD
 - PACKAGING : TAPE & REEL.



Pin Number	Signal ASSIGNMENT
PIN 1	VBUS
PIN 2	D-
PIN 3	D+
PIN 4	GND
PIN 5	SDA_SSRX-
PIN 6	SDA_SSRX+
PIN 7	GND_DRAIN
PIN 8	SDA_SSTRX-
PIN 9	SDA_SSTRX+



TERMINAL	DESCRIPTION	QTY	PLATING & COLOR
E	TERMINAL	5	C2680-H 0.25T
D	TERMINAL	4	C5210-EH 0.25T
C	SHELL	1	SUS 304-1/2H 0.3T
B	BASE	1	PA9T 45% GF UL94V-0 GP2450NH-2
A	HOUSING	1	PA9T 45% GF UL94V-0 GP2450NH-2

UNLESS OTHERWISE SPECIFIED TOLERANCES

Singatron Enterprise Co., Ltd.
信亨企業股份有限公司

DECIMALS:	ANGLES:	TITLE
X :±0.50 X :±2		USB 3.0 CONNECTOR
X.X :±0.30 X.X :±1°		PART NO. 2UB4006-153101F
X.XX :±0.25		SCALE 1:1 UNIT: mm
		SIZE: A3 SHEET: 1 OF 1 REV: A

CUSTOMER COPY