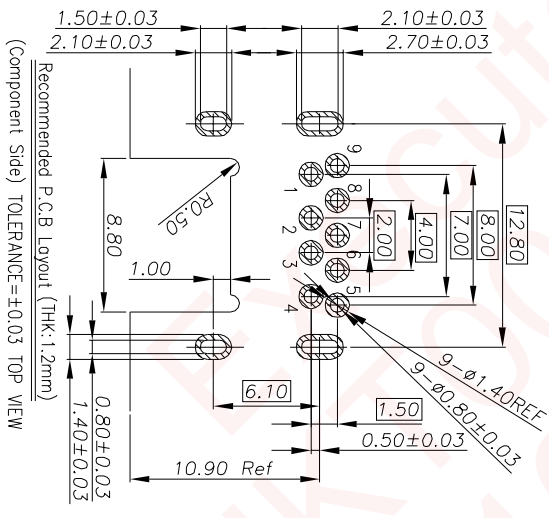
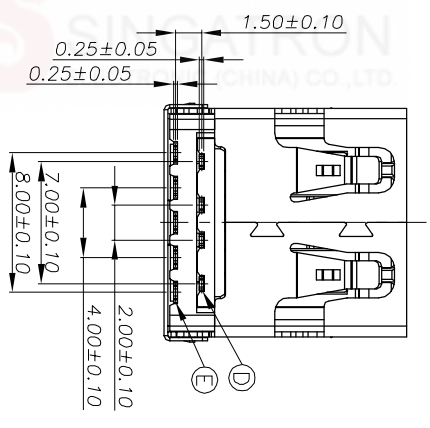
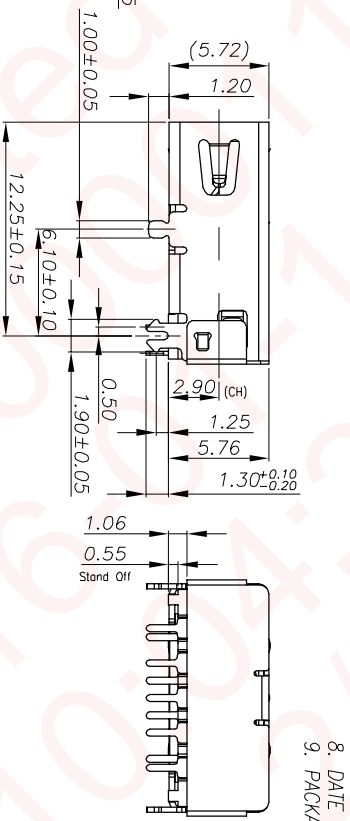
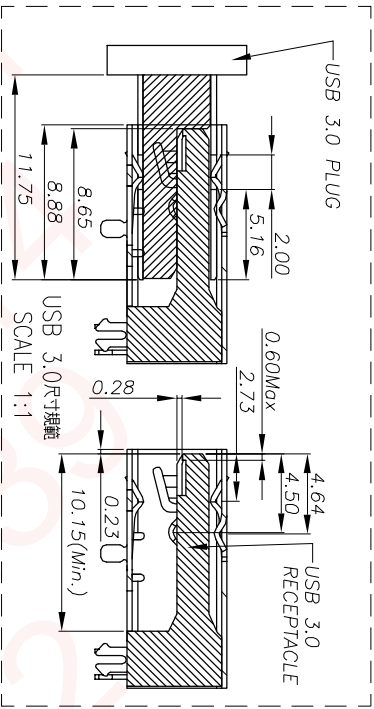


REV	ECN NO OR DESCRIPTION	REVISED	DATE
A	PDR NO.:1151013-7A	ALLEN	2016.01.12

- SPECIFICATIONS:**
- 1. ELECTRICAL CHARACTERISTICS:**
- 1-1. CURRENT RATING: 1.8A (PIN1,4) ; OTHER CONTACTS 0.25A
 - 1-2. CONTACT RESISTANCE: $30m\Omega$ MAX.
 - 1-3. DIELECTRIC WITHSTANDING VOLTAGE: 300V AC FOR 1 MINUTE
 - 1-4. INSULATION RESISTANCE: $100M\Omega$ MIN
- 2. MECHANICAL CHARACTERISTICS:**
- 2-1. INSERTION FORCE : 3.5 Kgf MAX
 - 2-2. WITHDRAWAL FORCE : 1.0 Kgf~2.5 Kgf (INITIAL)
0.8 Kgf~2.5 Kgf (AFTER TEST)
- 3. DURABILITY: 5,000 CYCLES.**
- 4. TO CONFORM TO SINGATRON HAZARDOUS SUBSTANCE FREE SPEC.**
- 5. HALOGEN FREE IDENTIFICATION MARK ON JACK: ©**
- 6. HALOGEN FREE IDENTIFICATION LABEL ON PACKAGING:**
- 7. FOR IR - REFLOW PROCESS.**
- 8. DATE : YYMMDD**
- 9. PACKAGING : TAPE & REEL.**



Pin Number	Signal ASSIGNMENT
PIN 1	VBUS
PIN 2	D-
PIN 3	D+
PIN 4	GND
PIN 5	SDA_SSRX-
PIN 6	SDA_SSRX+
PIN 7	GND_DRAIN
PIN 8	SDA_SSTX-
PIN 9	SDA_SSTX+



NO	DESCRIPTION	QTY	MATERIAL	PLATING & COLOR
F	SHELL COVER	1	STAINLESS STEEL	
E	TERMINAL	5	COOPER ALLOY	Make Pin 100% PLATED ON SOLDERING 800 NICKEL UNDER PLATING OVERALL
D	TERMINAL	4	COOPER ALLOY	Make Pin 80/200um PA-9T OR UL94-V0 800 NICKEL UNDER PLATING OVERALL
C	SHELL	1	STAINLESS STEEL	NICKEL 60U"MIN
B	BASE	1	PA-9T UL94-V0	BLUE 300C
A	HOUSING	1	PA-9T UL94-V0	BLUE 300C
NO	DESCRIPTION	QTY	MATERIAL	PLATING & COLOR

UNLESS OTHERWISE SPECIFIED TOLERANCES

Singatron Enterprise Co., Ltd.
信普企業股份有限公司

DECIMALS:	ANGLES:
X : ±0.50	X : ±2°
X.X : ±0.30	X.X : ±1'
X.XX : ±0.2	

TITLE	USB 3.0 CONNECTOR		
DWN ALLEN	PART NO.	2UB4006-153302F	
CHKD JAMES	SCALE	1:1	UNIT: mm
APVD BOYE	SIZE:	A3	SHEET: 1 OF 1

CUSTOMER COPY