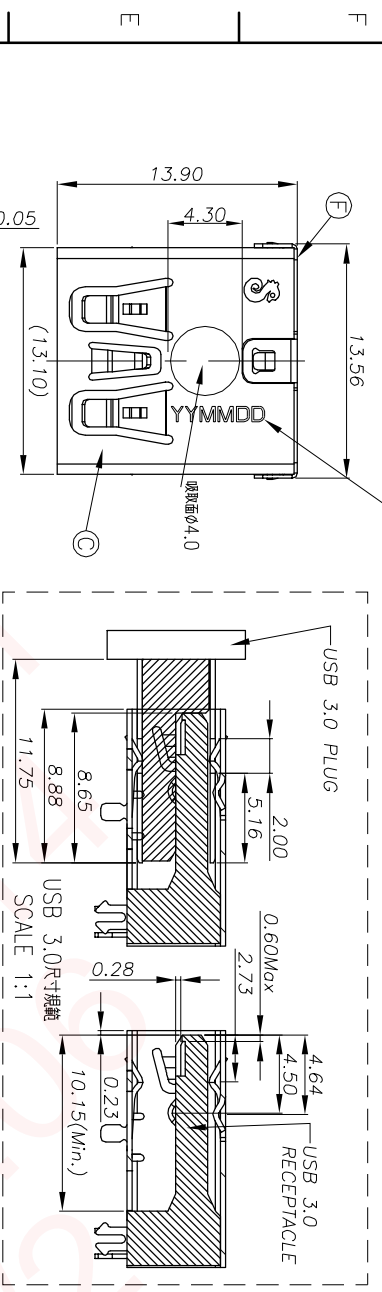
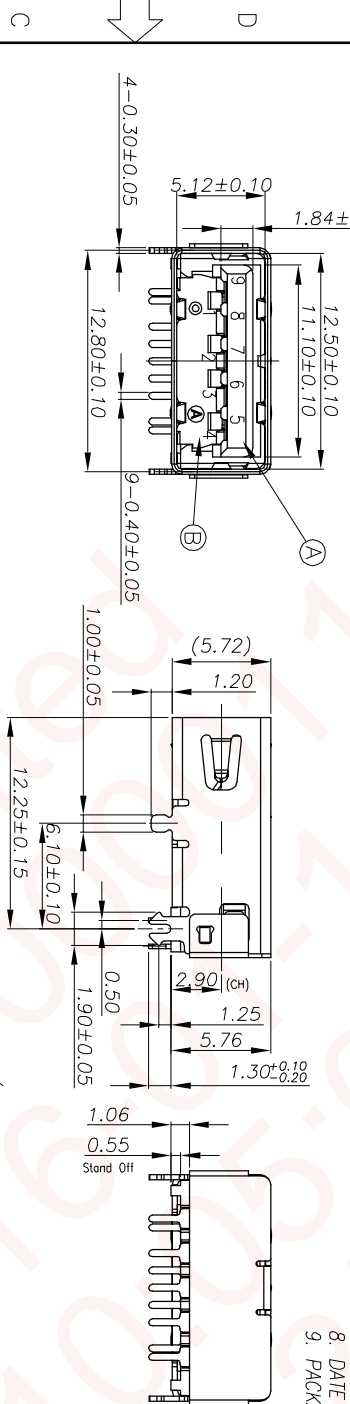


REV. ECN NO OR DESCRIPTION	REVISED	DATE
A PDR NO.:T151013-8A	ALLEN	2016.01.12

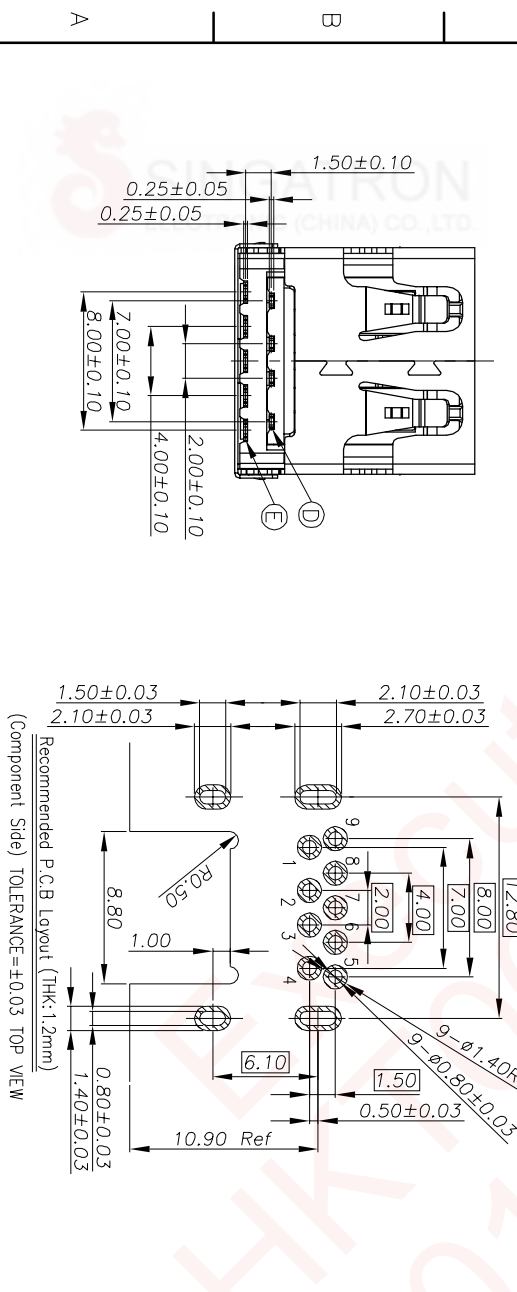
DATE CODE



- SPECIFICATIONS:**
- ELECTRICAL CHARACTERISTICS:**
 - 1-1. CURRENT RATING: 1.8A (PIN1,4) ; OTHER CONTACTS 0.25A
 - 1-2. CONTACT RESISTANCE: 30mΩ MAX.
 - 1-3. DIELECTRIC WITHSTANDING VOLTAGE: 300V AC FOR 1 MINUTE
 - 1-4. INSULATION RESISTANCE: 100MΩ MIN
 - MECHANICAL CHARACTERISTICS:**
 - 2-1. INSERTION FORCE : 3.5 kgf MAX
 - 2-2. WITHDRAWAL FORCE : 1.0 kgf~2.5 kgf(INITIAL)
0.8 kgf~2.5 kgf(AFTER TEST)
 - DURABILITY:** 5,000 CYCLES.
 - TO CONFORM TO SINGATRON HAZARDOUS SUBSTANCE FREE SPEC.**
 - HALOGEN FREE IDENTIFICATION MARK ON JACK:** ©
 - HALOGEN FREE IDENTIFICATION LABEL ON PACKAGING:**
 - FOR IR - REFLOW PROCESS.**
 - DATE :** YYMMDD
 - PACKAGING :** TAPE & REEL.



Pin Number	Signal ASSIGNMENT
PIN 1	VBUS
PIN 2	D-
PIN 3	D+
PIN 4	GND
PIN 5	SDA_SSRX-
PIN 6	SDA_SSRX+
PIN 7	GND_DRAIN
PIN 8	SDA_SSTX-
PIN 9	SDA_SSTX+



NO	DESCRIPTION	QTY	MATERIAL	PLATING & COLOR
F	SHELL COVER	1	STAINLESS STEEL	
E	TERMINAL	5	COOPER ALLOY	
D	TERMINAL	4	COOPER ALLOY	
C	SHELL	1	STAINLESS STEEL	NICKEL 60μ"MIN
B	BASE	1	PA-9T UL94-V0	YELLOW 123C
A	HOUSING	1	PA-9T UL94-V0	YELLOW 123C
NO	DESCRIPTION	QTY	MATERIAL	PLATING & COLOR

UNLESS OTHERWISE SPECIFIED TOLERANCES

Singotron Enterprise Co., Ltd.
信晉企業股份有限公司

DECIMALS: ANGLES:

±0.50 X ±2°
±0.30 X.X ±1°
±0.2 X.XX

TITLE: USB 3.0 CONNECTOR

DWN ALLEN PART NO.:ZUB4006-154302P
CHKD JAMES SCALE: 1:1 UNIT: mm
APVD BOYE SIZE: A3 SHEET: 1 OF 1 REV: A

CUSTOMER COPY