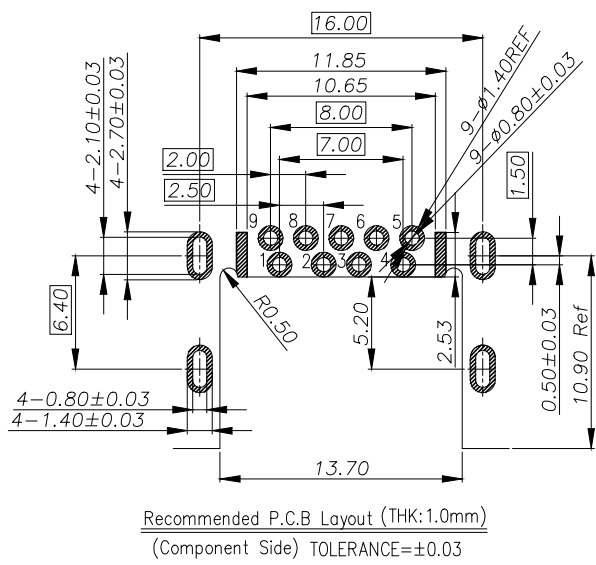
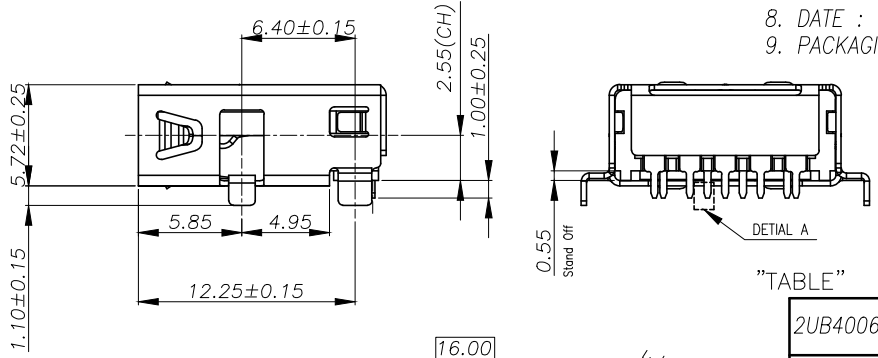
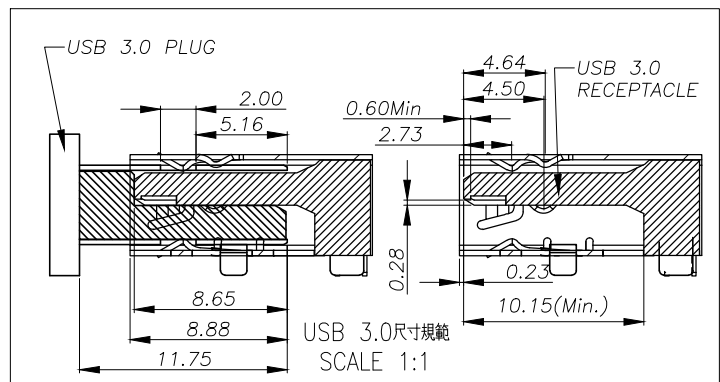
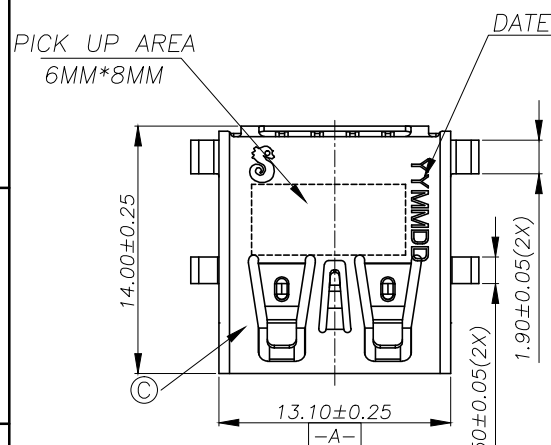


REV.	ECN NO OR DESCRIPTION	REVISED	DATE
A	PDR NO.: T170427-2A/2B	peng	2017.11.10



- SPECIFICATIONS:
- ELECTRICAL CHARACTERISTICS:
 - CURRENT RATING: 1.8A (PIN1,4) ; OTHER CONTACTS 0.25A
 - CONTACT RESISTANCE: 30mΩ MAX.
 - DIELECTRIC WITHSTANDING VOLTAGE: 100V AC FOR 1 MINUTE
 - INSULATION RESISTANCE: 100MΩ MIN
 - MECHANICAL CHARACTERISTICS:
 - INSERTION FORCE : 3.5 Kgf MAX
 - WITHDRAWAL FORCE : 1.0 Kgf MIN ,0.8 Kgf(AFTER TEST)
 - DURABILITY: 5,000 CYCLES.
 - TO CONFORM TO SINGATRON HAZARDOUS SUBSTANCE FREE SPEC.
 - HALOGEN PRODUCT IDENTIFICATION MARK ON JACK:⊙
 - HALOGEN PRODUCT IDENTIFICATION LABEL ON PACKAGING:
 - FOR IR - REFLOW PROCESS.
 - DATE : YYMMDD
 - PACKAGING : TAPE & REEL.

Pin Number	Signal ASSIGNMENT
PIN 1	VBUS
PIN 2	D-
PIN 3	D+
PIN 4	GND
PIN 5	StdA_SSRX-
PIN 6	StdA_SSRX+
PIN 7	GND_DRAIN
PIN 8	StdA_SSTX-
PIN 9	StdA_SSTX+

"TABLE"

PART NUMBER	PLATING
2UB4006-154101F	G/F PLATED ON MATING AREA, Matt. Sn 100u"Min.PLATED ON SOLDERING 80u"NICKEL UNDER PLATING OVERALL
2UB4006-155101F	30u" AU PLATED ON MATING AREA, Matt. Sn 100u"Min.PLATED ON SOLDERING 80u"NICKEL UNDER PLATING OVERALL

E	TERMINAL	5	C2680-H 0.25T	SEE "TABLE"
D	TERMINAL	4	C5210-EH 0.25T	
C	SHELL	1	SUS 304-1/2H 0.3T	NICKEL 60u"MIN
B	BASE	1	PA9T 45% GF 94V-0 GP2450NH-2	BLACK
A	HOUSING	1	PA9T 45% GF 94V-0 GP2450NH-2	BLACK
NO	DESCRIPTION	QTY	MATERIAL	PLATING & COLOR
UNLESS OTHERWISE SPECIFIED TOLERANCES				Singatron Enterprise Co., Ltd. 信音企業股份有限公司
DECIMALS:		ANGLES:		TITLE
X	:±0.50	X	:±2°	USB 3.0 CONNECTOR
X.X	:±0.30	X.X	:±1°	DWN peng PART NO.2UB4006-15X101F
X.XX	:±0.25			CHKD james SCALE 1:1 UNIT: mm
				APVD boye SIZE: A3 SHEET:1 OF 1 REV:A
CUSTOMER COPY				