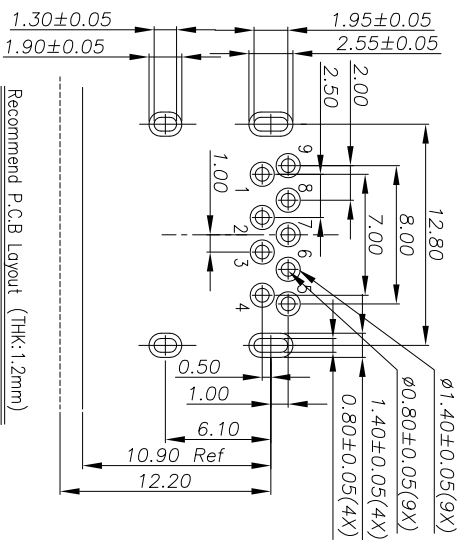
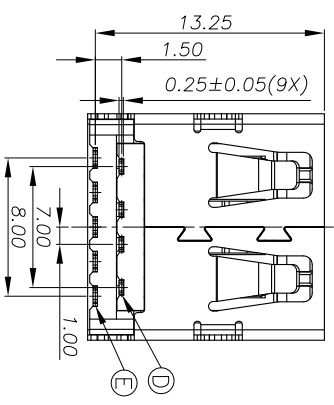
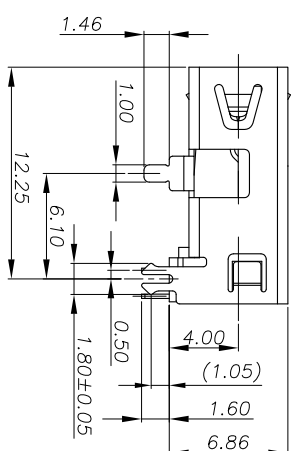
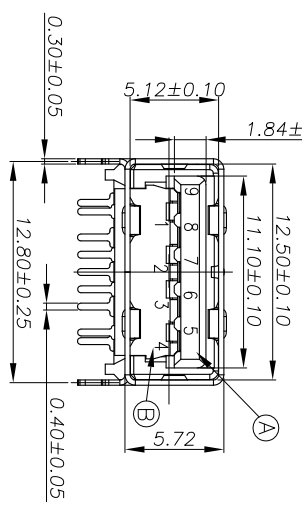
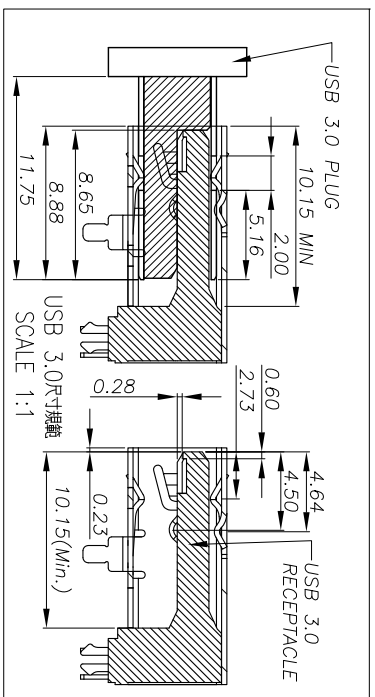
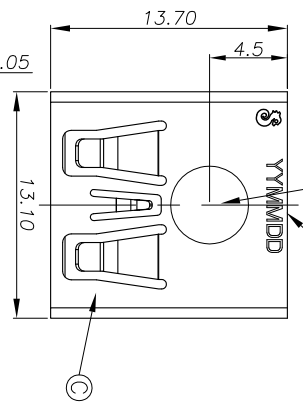


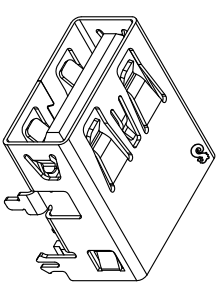
ø4.5mm AVAILABLE
VACUUM PICK UP AREA
DATE CODE



Recommend P.C.B Layout (Thk:1.2mm)
(Component Side) TOLERANCE=±0.03

SPECIFICATIONS:

- ELECTRICAL CHARACTERISTICS:
 - CURRENT RATING: 1.8A (PIN1,4) ; OTHER CONTACTS 0.25A.
 - CONTACT RESISTANCE: 30mΩ MAX. INITIAL FOR PIN 1-4 50mΩ MAX. INITIAL OTHER PIN.
 - DIELECTRIC WITHSTANDING VOLTAGE: 100V AC FOR 1 MINUTE.
 - INSULATION RESISTANCE: 100MΩ MIN..
- MECHANICAL CHARACTERISTICS:
 - INSERTION FORCE : 35N MAX..
 - WITHDRAWAL FORCE : 10~25N (INITIAL) 8~25N (AFTER TEST)
- DURABILITY: 5,000 CYCLES.
- TO CONFORM TO SINGATRON HAZARDOUS SUBSTANCE FREE SPEC.
- HALOGEN FREE PRODUCT IDENTIFICATION MARK ON JACK: ◎
- HALOGEN FREE PRODUCT IDENTIFICATION LABEL ON PACKAGING:
- FOR IR - REFLOW LEAD-FREE PROCESS.
- DATE : YYMMDD
- PACKAGING : TAPE & REEL.



REV.	ECN NO OR DESCRIPTION	REVISED	DATE
C	ECN NO : T13003T	VICTOR	2013/07/01
D	ECN NO:T130112	BERYL	2013/12/23
E	ECN NO:S140119	SEAN	2014/05/05

NO	DESCRIPTION	QTY	MATERIAL	PLATING & COLOR
E	TERMINAL	5	COOPER ALLOY	
D	TERMINAL	4	COOPER ALLOY	
C	SHELL	1	STAINLESS STEEL	NICKEL 60u"MIN
B	BASE	1	PA9T	BLACK
A	HOUSING	1	PA9T	BLACK

Pin Number	Signal ASSIGNMENT
PIN 1	VBUS
PIN 2	D-
PIN 3	D+
PIN 4	GND
PIN 5	SID4_SSRX-
PIN 6	SID4_SSRX+
PIN 7	GND_DRAIN
PIN 8	SID4_SSTX-
PIN 9	SID4_SSTX+

UNLESS OTHERWISE SPECIFIED TOLERANCES

Singatron Enterprise Co., Ltd.
信營企業股份有限公司

TITLE	USB 3.0 CONNECTOR
DWN	SEAN PART NO.2UB4006-160201F
CHKD	CERRY SCALE 1:1 UNIT: mm
APVD	MAX SIZE: A3 SHEET:1 OF 1 REV:B

CUSTOMER COPY