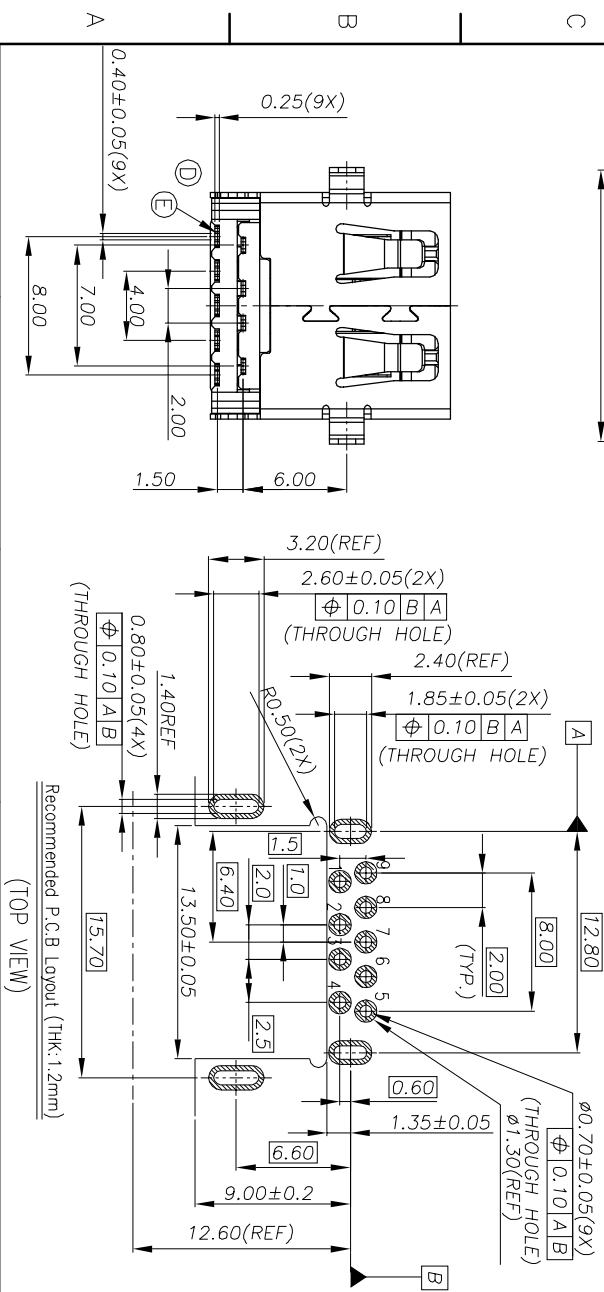
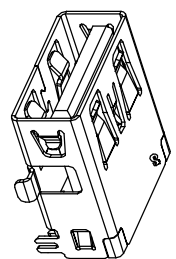
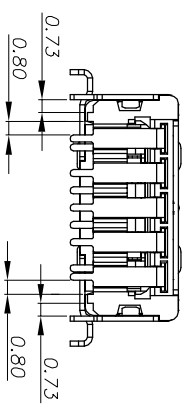
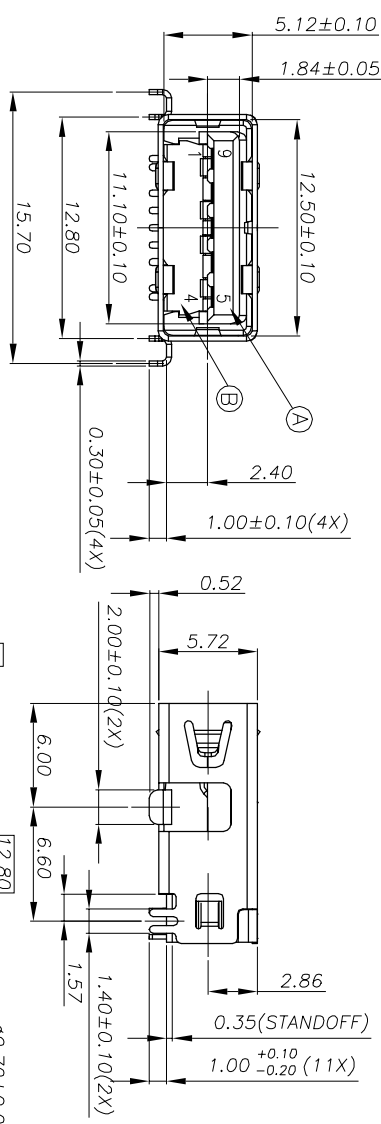


- SPECIFICATIONS:**
- 1. ELECTRICAL CHARACTERISTICS:**
- 1-1. CURRENT RATING: 1.8A (PIN1,4) ; OTHER CONTACTS 0.25A
 - 1-2. CONTACT RESISTANCE: 30mΩ MAX.
 - 1-3. DIELECTRIC WITHSTANDING VOLTAGE: 100V AC FOR 1 MINUTE
 - 1-4. INSULATION RESISTANCE: 100MΩ MIN
- 2. MECHANICAL CHARACTERISTICS:**
- 2-1. INSERTION FORCE : 3.5 Kgf MAX
 - 2-2. WITHDRAWAL FORCE : 1.0 Kgf MIN
- 3. DURABILITY: 5,000 CYCLES.**
- 4. TO CONFORM TO SINGATRON HAZARDOUS SUBSTANCE FREE SPEC.**
- 5. HALOGEN PRODUCT IDENTIFICATION MARK ON JACK**
- 6. HALOGEN PRODUCT IDENTIFICATION LABEL ON PACKAGING:**
- 7. FOR IR-REFLOW PROCESS.**
- 8. DATE : YMMDD**
- 9. PACKAGING : TAPE & REEL.**



Recommended P.C.B Layout (Thk:1.2mm)

DECIMALS:	ANGLES:	TITLE	REV	DATE
X : ±0.5	X : ±2°	USB 3.0 CONNECTOR	1	2015.08.04
X.X : ±0.4	X.X : ±1°			
X.XX : ±0.3				

REV	ECN NO	OR DESCRIPTION	REVISED	DATE
A	PDR NO: T150803-2A	JACK		2015.08.04
B	ECN NO: S190117-R	WIENRONG		2019.05.29

NO	DESCRIPTION	QTY	MATERIAL	PLATING & COLOR
D	TERMINAL	5	C2680-H	
E	SHELL	1	PA4T 94V-0	BLACK
F	BASE	1	PA4T 94V-0	BLACK
G	HOUSING	1	PA4T 94V-0	BLACK

Pin Number	Signal ASSIGNMENT
PIN 1	VBUS
PIN 2	D-
PIN 3	D+
PIN 4	GND
PIN 5	SD4L_SSRX-
PIN 6	SD4L_SSRX+
PIN 7	GND_DRAIN
PIN 8	SD4L_SSTX-
PIN 9	SD4L_SSTX+