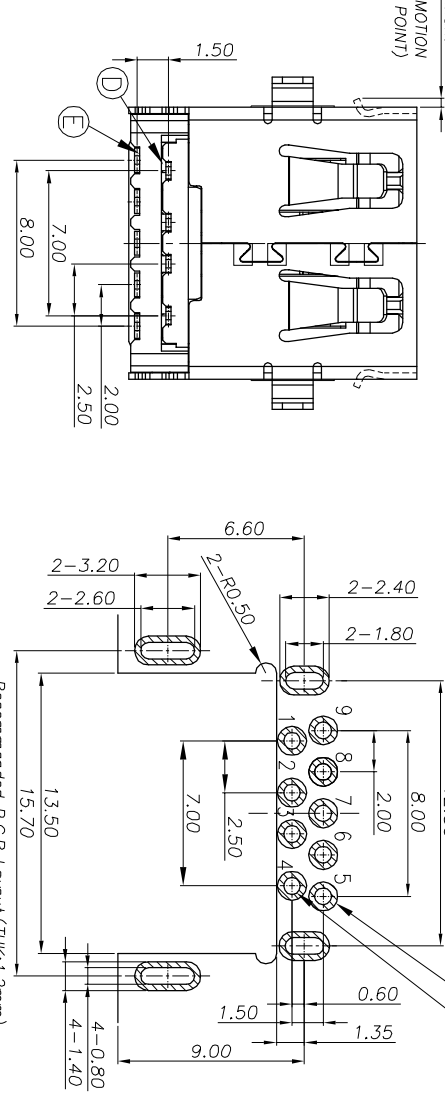
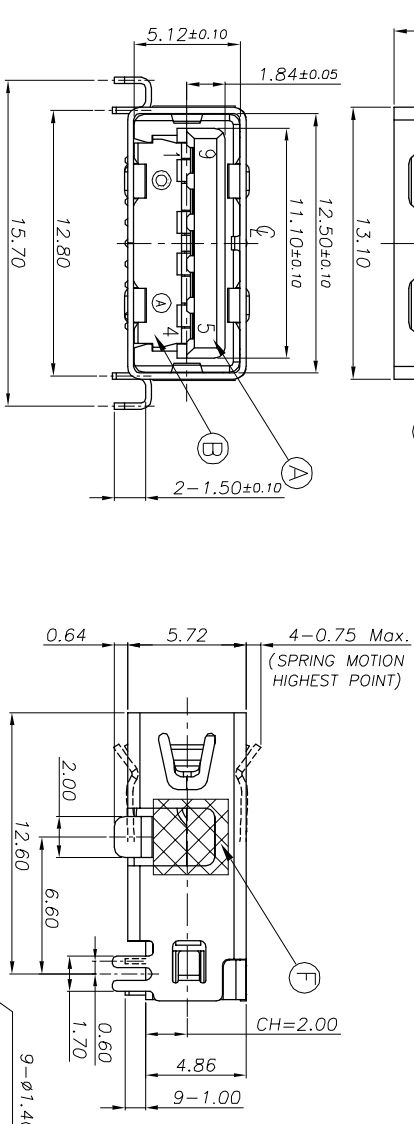
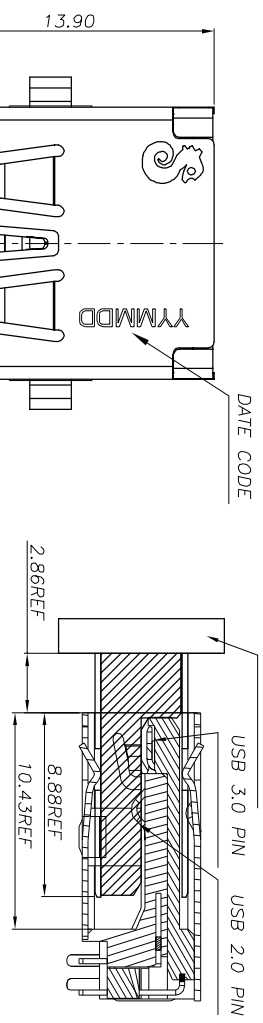
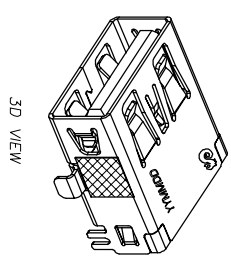
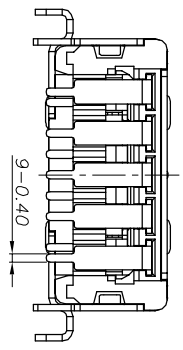


Pin Number	1	2	3	4	5	6	7	8	9
Signal ASSIGNMENT	VBUS	D-	D+	GND	SIDA_SSRX-	SIDA_SSRX+	GND_DRAIN	SIDA_SSTX-	SIDA_SSTX+

REV	ECN NO	OR DESCRIPTION	REVISED	DATE
A	PDR NO :	T201111-4A	BING	2021.04.15



- SPECIFICATIONS:**
- ELECTRICAL CHARACTERISTICS:**
 - 1-1. CURRENT RATING: 1.8A (PIN1,4); OTHER CONTACTS 0.25A.
 - 1-2. CONTACT RESISTANCE: 30mΩ Max.
 - 1-3. DIELECTRIC WITHSTANDING VOLTAGE: 100V AC FOR 1 MINUTE.
 - 1-4. INSULATION RESISTANCE: 100MΩ Min.
 - MECHANICAL CHARACTERISTICS:**
 - 2-1. INSERTION FORCE: 3.5kgf Max.
 - 2-2. WITHDRAWAL FORCE: 1.0kgf Min. (INITIAL), 0.8kgf(AFTER TEST).
 - DURABILITY:** 5,000 CYCLES.
 - TO CONFORM TO SINGATRON HAZARDOUS SUBSTANCE FREE SPEC.**
 - HALOGEN FREE IDENTIFICATION MARK ON JACK: ©**
 - HALOGEN FREE IDENTIFICATION LABEL ON PACKAGING:**
 - FOR IR RE-FLOW PROCESS.**
 - DATE: YYMMDD.**
 - PACKAGING: TAPE & REEL.**



F	MATERIAL	2	KAPTON 4*4*0.06T	Yellow
E	TERMINAL	5	COPPER ALLOY T=0.25mm	300μm Au PLATING ON CONTACT AREAS. 1200μm NiAu Sn PLATING ON SOLDERING AREAS. ALL OVER 80μm NICKEL PLATING.
D	TERMINAL	4	COPPER ALLOY T=0.25mm	300μm Au PLATING ON CONTACT AREAS. 1200μm NiAu Sn PLATING ON SOLDERING AREAS. ALL OVER 80μm NICKEL PLATING.
C	SHELL	1	STAINLESS STEEL T=0.30mm	NICKEL 60μm Min.
B	BASE	1	THERMOPLASTIC UL 94V-0	Black
A	HOUSING	1	THERMOPLASTIC UL 94V-0	Black
NO	DESCRIPTION	QTY	MATERIAL	PLATING & COLOR
UNLESS OTHERWISE SPECIFIED TOLERANCES				
SINGATRON ENTERPRISE CO., LTD. 信音企業股份有限公司				
TITLE: USB 3.0 CONNECTOR FOR GEN 1				
DWG: BING PART NO. 2UB4006-231101F				
CHKD: Allen SCALE 4:1 UNIT: mm				
APVD: Boye SIZE: A3 SHEET: 1 OF 1 REV: 4				
CUSTOMER COPY				