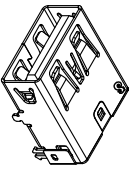
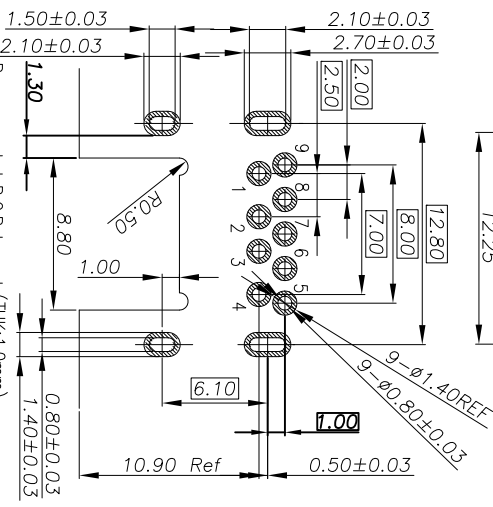
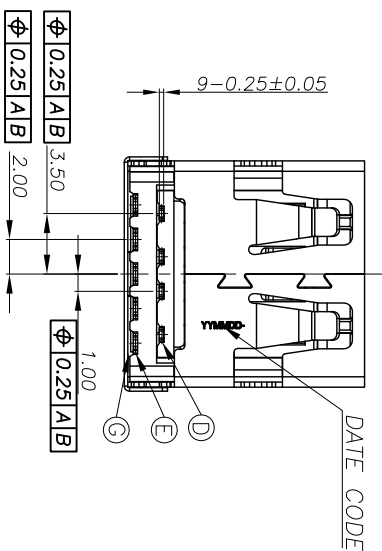


PROPOSAL ONLY
2014.07.14



Pin Number	Signal ASSIGNMENT
PIN 1	VBUS
PIN 2	D-
PIN 3	D+
PIN 4	GND
PIN 5	SDA_SSRX+
PIN 6	SDA_SSRX-
PIN 7	GND_DRAIN
PIN 8	SDA_SSTX-
PIN 9	SDA_SSTX+



Recommended P.C.B Layout (THK:1.0mm)
(Component Side) TOLERANCE=±0.03

- SPECIFICATIONS:
- ELECTRICAL CHARACTERISTICS:
 - CURRENT RATING: 1.8A (PIN1,4) ; OTHER CONTACTS 0.25A
 - CONTACT RESISTANCE: 30mΩ MAX.
 - DIELECTRIC WITHSTANDING VOLTAGE: 100V AC FOR 1 MINUTE
 - INSULATION RESISTANCE: 100MΩ MIN
 - MECHANICAL CHARACTERISTICS:
 - INSERTION FORCE : 3.5 Kgf MAX
 - WITHDRAWAL FORCE : 1.0~2.5 Kgf , 0.8~2.5 Kgf(AFTER TEST)
 - DURABILITY: 5,000 CYCLES.
 - TO CONFORM TO SINGATRON HAZARDOUS SUBSTANCE FREE SPEC.
 - HALOGEN PRODUCT IDENTIFICATION MARK ON JACK. ©
 - HALOGEN PRODUCT IDENTIFICATION LABEL ON PACKAGING.
 - FOR IR - REFLOW LEAD-FREE PROCESS.
 - DATE : YMMDD
 - PACKAGING : TAPE & REEL.



NO	DESCRIPTION	QTY	MATERIAL	PLATING & COLOR
H	MYLAR	1	8*11	
G	MYLAR	1		
F	SHELL COVER	1	STAINLESS STEEL	
E	TERMINAL	5	COOPER ALLOY	
D	TERMINAL	4	COOPER ALLOY	
C	SHELL	1	STAINLESS STEEL	2±0.02 OVER 30±0.04/PIN PLATED ON MATING AREA 100μ" MATTE IN PLATED ON SOLDERING 80±0.02 UNDER PLATING OVERALL
B	BASE	1	PA-9T UL94V-0	BLUE 300C
A	HOUSING	1	PA-9T UL94V-0	BLUE 300C
NO	DESCRIPTION	QTY	MATERIAL	PLATING & COLOR

UNLESS OTHERWISE SPECIFIED TOLERANCES

Singatron Enterprise Co., Ltd.
信亨企業股份有限公司

DECIMALS:	ANGLES:	TITLE
X : ±0.50	X : ±2°	USB 3.0 CONNECTOR
X.X : ±0.30	X.X : ±1°	Part No. 2UB4006-350101F
X.XX : ±0.20		Scale 1:1
		UNIT: mm
		SIZE: A3
		SHEET: 1 OF 1
		REV: A

CUSTOMER COPY