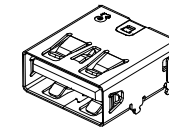
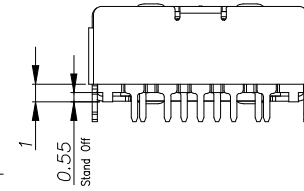
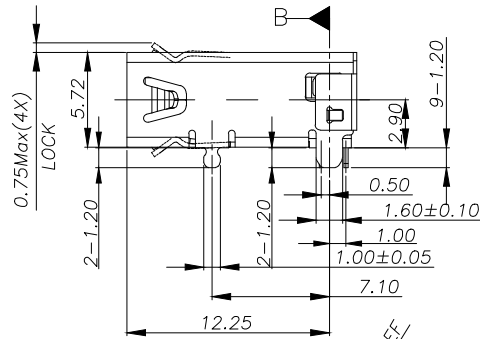
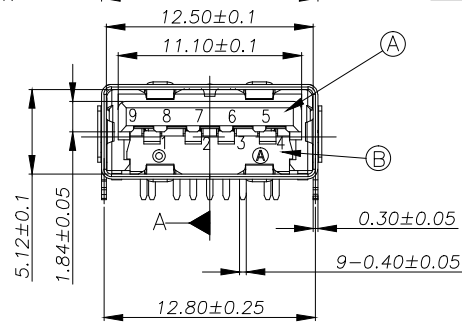
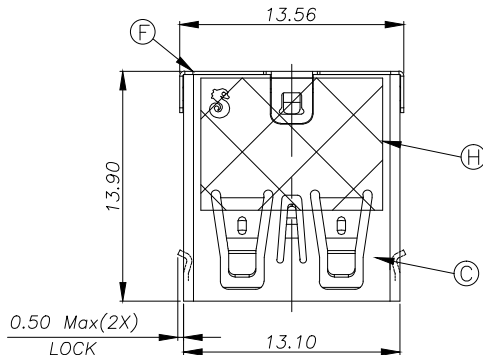
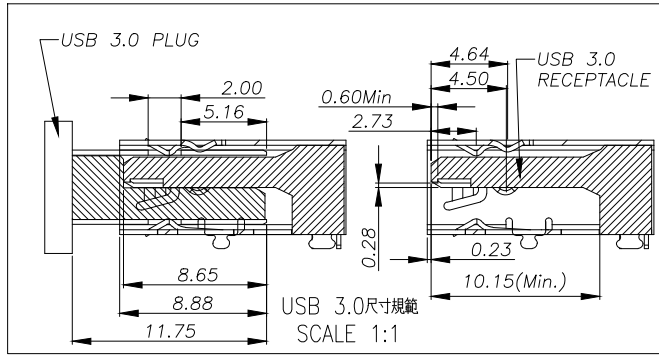


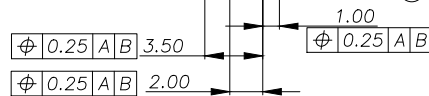
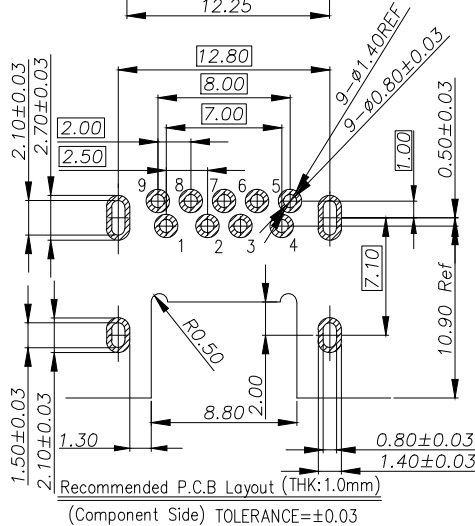
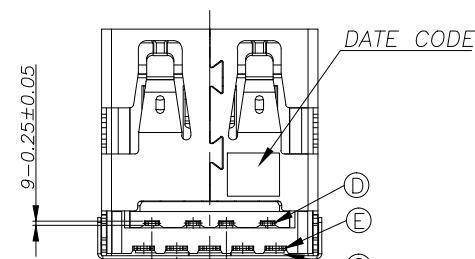
REV.	ECN NO OR DESCRIPTION	REVISED	DATE
A	PDR NO.:S171228-1A	charles	2018.10.23

SPECIFICATIONS:

- ELECTRICAL CHARACTERISTICS:
 - CURRENT RATING: 1.8A (PIN1,4) ; OTHER CONTACTS 0.25A
 - CONTACT RESISTANCE: 30mΩ MAX.
 - DIELECTRIC WITHSTANDING VOLTAGE: 100V AC FOR 1 MINUTE
 - INSULATION RESISTANCE: 100MΩ MIN
- MECHANICAL CHARACTERISTICS:
 - INSERTION FORCE : 3.0 Kgf MAX
 - WITHDRAWAL FORCE : 0.7~3.0 Kgf
- DURABILITY: 5,000 CYCLES.
- TO CONFORM TO SINGATRON HAZARDOUS SUBSTANCE FREE SPEC.
- HALOGEN PRODUCT IDENTIFICATION MARK ON JACK:
- HALOGEN PRODUCT IDENTIFICATION LABEL ON PACKAGING:
- FOR IR - REFLOW LEAD-FREE PROCESS.
- DATE : YYMMDD
- PACKAGING : TAPE & REEL.



Pin Number	Signal ASSIGNMENT
PIN 1	VBUS
PIN 2	D-
PIN 3	D+
PIN 4	GND
PIN 5	StdA_SSRX-
PIN 6	StdA_SSRX+
PIN 7	GND_DRAIN
PIN 8	StdA_SSTX-
PIN 9	StdA_SSTX+



NO	DESCRIPTION	QTY	MATERIAL	PLATING & COLOR
H	MYLAR	1	8*11	
G	MYLAR	1	3*9	
F	SHELL COVER	1	STAINLESS STEEL	
E	TERMINAL	5	COPPER ALLOY	Au 5u" PLATED ON MATING AREA,100u" MATTE TIN PLATED ON SOLDERING 80u"NICHEL UNDER PLATING OVERALL
D	TERMINAL	4	COPPER ALLOY	Au 5u" PLATED ON MATING AREA,100u" MATTE TIN PLATED ON SOLDERING 80u"NICHEL UNDER PLATING OVERALL
C	SHELL	1	STAINLESS STEEL	NICKEL 60u"MIN
B	BASE	1	PA-9T UL94V-0	BLACK
A	HOUSING	1	PA-9T UL94V-0	BLACK

UNLESS OTHERWISE SPECIFIED TOLERANCES		Singatron Enterprise Co., Ltd. 信音企業股份有限公司	
DECIMALS: ANGLES:		TITLE: USB 3.0 CONNECTOR	
X :±0.50	X :±2°	DWN charles	PART NO.2UB4006-351101F
X.X :±0.30	X.X :±1°	CHKD James	SCALE 1:1 UNIT: mm
X.XX :±0.20		APVD Boye	SIZE: A3 SHEET:1 OF 1 REV:A
CUSTOMER COPY			