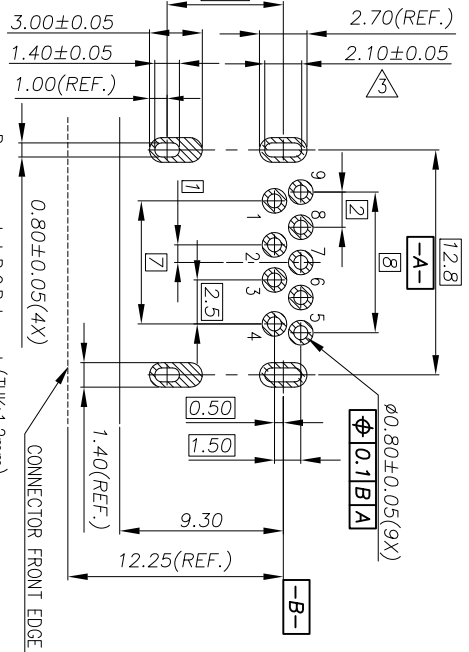
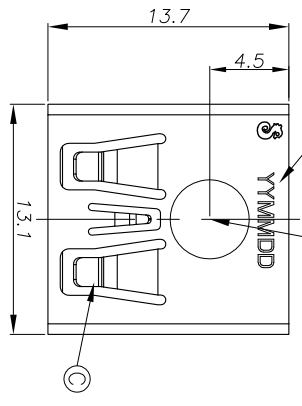
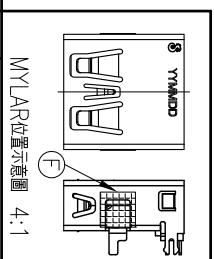
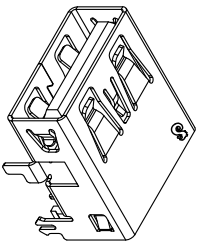
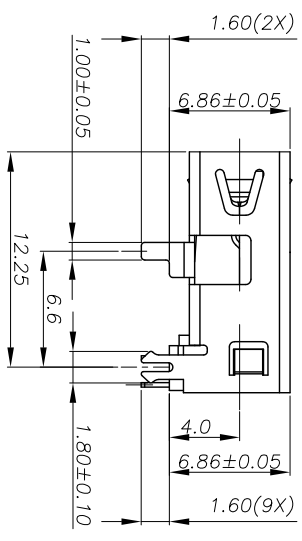
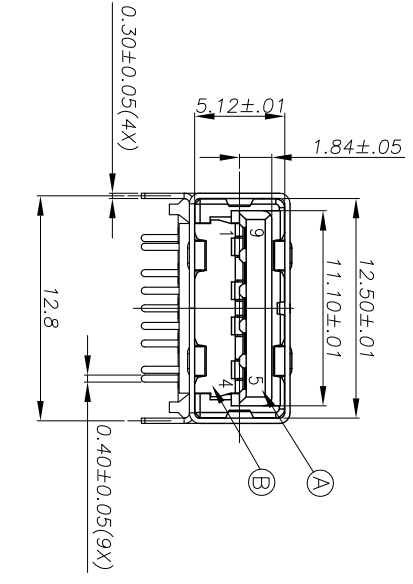


REV. ECN NO OR DESCRIPTION	REVISED	DATE
A PDR NO.1750331-1A	ALLEN	2015.06.18

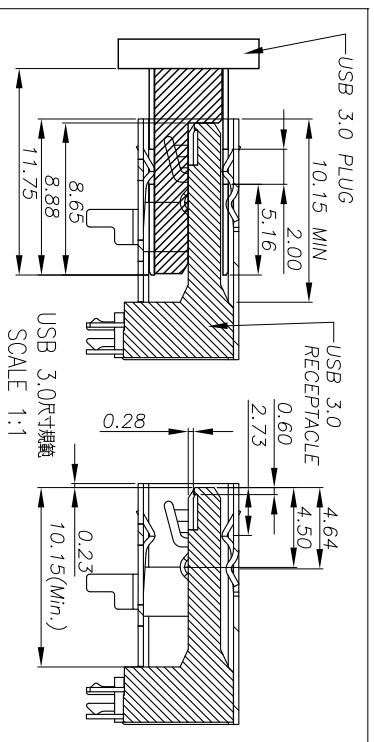
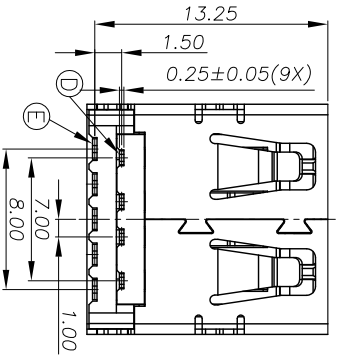
DATE CODE
YXMMDD
VACUUM PICK UP AREA



- Specifications:
- ELECTRICAL CHARACTERISTICS:
 - CURRENT RATING: 1.8A (PIN1-4) ; OTHER CONTACTS 0.25A
 - CURRENT RESISTANCE: 50mΩ MAX.
 - DIELECTRIC WITHSTANDING VOLTAGE: 100V AC FOR 1 MINUTE
 - INSULATION RESISTANCE: 100MΩ MIN
 - MECHANICAL CHARACTERISTICS:
 - INSERTION FORCE : 3.5 kgf MAX
 - WITHDRAWAL FORCE : 1.0~2.5 kgf MIN
 - DURABILITY: 5,000 CYCLES.
 - TO CONFORM TO SINGATRON HAZARDOUS SUBSTANCE FREE SPEC.
 - HALOGEN PRODUCT IDENTIFICATION LABEL IN JACK:
 - FOR WAVE SOLDERING LEAD-FREE PROCESS.
 - DATE : YXMMDD
 - PACKAGING : TAPE & REEL.



Pin Number	Signal ASSIGNMENT
PIN 1	VBUS
PIN 2	D-
PIN 3	D+
PIN 4	GND
PIN 5	SGDA_SSRX-
PIN 6	SGDA_SSRX+
PIN 7	GND_DRAIN
PIN 8	SGDA_SSTX-
PIN 9	SGDA_SSTX+



F	MYLAR	2	4mm*4mm	YELLOW
E	TERMINAL	5	COPPER ALLOY	2u"/u+Pd/Ni30u" OVER PLATED ON MATING AREA, 120u" SN PLATED ON SOLDERING 80u" NICKEL UNDER PLATING OVERALL
D	TERMINAL	4	COPPER ALLOY	2u"/u+Pd/Ni30u" OVER PLATED ON MATING AREA, 120u" SN PLATED ON SOLDERING 80u" NICKEL UNDER PLATING OVERALL
C	SHELL	1	STAINLESS STEEL	NICKEL 60U"MIN
B	BASE	1	PA9T UL94-V0	BLUE(300C)
A	HOUSING	1	PA9T UL94-V0	BLUE(300C)
NO	DESCRIPTION	QTY	MATERIAL	PLATING & COLOR

UNLESS OTHERWISE SPECIFIED TOLERANCES

DECIMALS: ANGLES:

X : ±0.5 X : ±2°

X.X : ±0.4 X.X : ±1°

X.XX : ±0.3 X.XX : ±0.3

TITLE	USB 3.0 CONNECTOR
DWN	ALLEN
CHKD	times
APVD	type
PART NO.	2UB4006-390101F
SCALE	1:1
UNIT	mm
SIZE	A3
SHEET	1 OF 1
REV	A

Singatron Enterprise Co., Ltd.
信音企業股份有限公司

CUSTOMER COPY