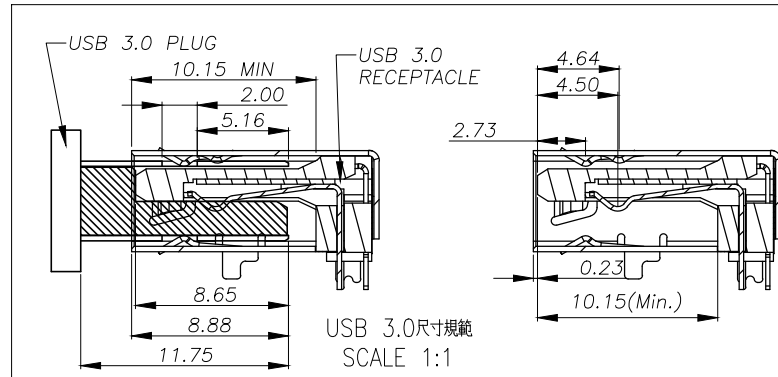
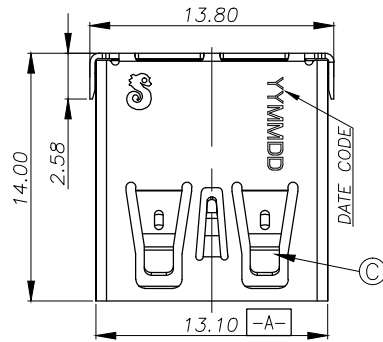


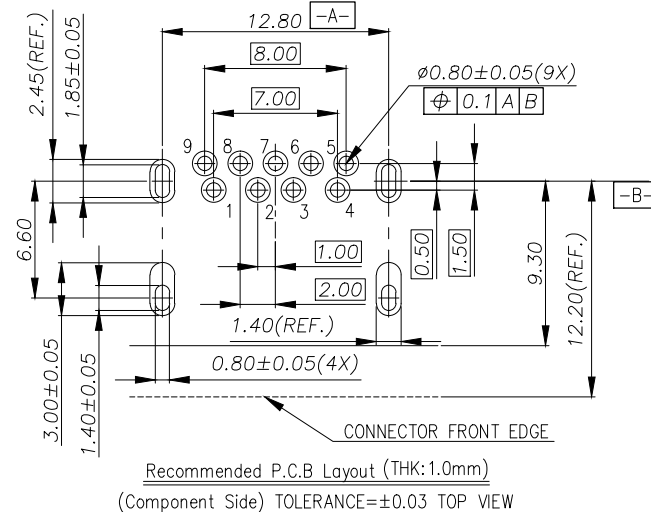
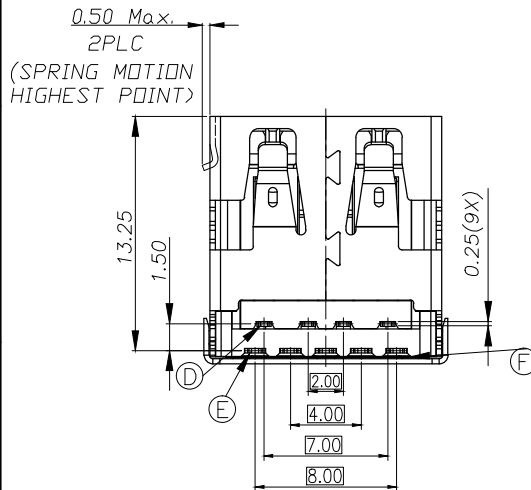
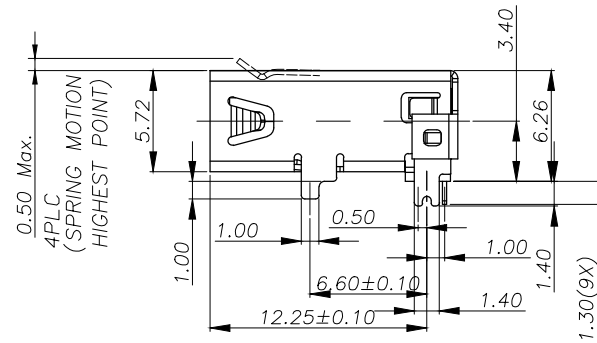
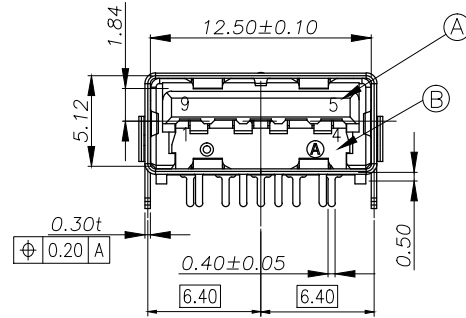
REV.	ECN NO OR DESCRIPTION	REVISED	DATE
A	PDR NO:T170915-8A	peng	2018.02.01



SPECIFICATIONS:

- ELECTRICAL CHARACTERISTICS:
  - CURRENT RATING: 1.8A (PIN1,4) ; OTHER CONTACTS 0.25A
  - CONTACT RESISTANCE: 30mΩ MAX.
  - DIELECTRIC WITHSTANDING VOLTAGE: 100V AC FOR 1 MINUTE
  - INSULATION RESISTANCE: 100MΩ MIN
- MECHANICAL CHARACTERISTICS:
  - INSERTION FORCE : 3.5 Kgf MAX
  - WITHDRAWAL FORCE : 1.0 Kgf MIN
- DURABILITY: 5,000 CYCLES.
- TO CONFORM TO SINGATRON HAZARDOUS SUBSTANCE FREE SPEC.
- HALOGEN FREE IDENTIFICATION MARK ON JACK: Ⓞ
- HALOGEN FREE IDENTIFICATION LABEL ON PACKAGING:
- FOR WAVE SOLDERING LEAD-FREE PROCESS.
- DATE : YMMDD
- PACKAGING : TAPE & REEL.

Pin Number	Signal ASSIGNMENT
PIN 1	VBUS
PIN 2	D-
PIN 3	D+
PIN 4	GND
PIN 5	StdA_SSRX-
PIN 6	StdA_SSRX+
PIN 7	GND_DRAIN
PIN 8	StdA_SSTX-
PIN 9	StdA_SSTX+



NO	DESCRIPTION	QTY	MATERIAL	PLATING & COLOR
F	MYLAR	1	4W*9L*0.3T	
E	TERMINAL	5	COPPER ALLOY	2u" Au OVER 30u" Pd/Ni PLATED ON MATING AREA, 120u" Sn PLATED ON SOLDERING 80u" NICKEL UNDER PLATING OVERALL
D	TERMINAL	4	COPPER ALLOY	2u" Au OVER 30u" Pd/Ni PLATED ON MATING AREA, 120u" Sn PLATED ON SOLDERING 80u" NICKEL UNDER PLATING OVERALL
C	SHELL	1	STAINLESS STEEL	NICKEL 60u" MIN
B	BASE	1	THERMOPLASTIC	BLACK
A	HOUSING	1	THERMOPLASTIC	BLACK

UNLESS OTHERWISE SPECIFIED TOLERANCES		Singatron Enterprise Co., Ltd. 信音企業股份有限公司	
DECIMALS:	ANGLES:	TITLE	USB 3.0 CONNECTOR
X : ±0.5	X : ±2°	DWN	peng
X.X : ±0.3	X.X : ±1°	CHKD	james
X.XX : ±0.2		APVD	boye
		PART NO.2UB4006-400501F	
		SCALE 1:1	UNIT: mm
		SIZE: A3	SHEET: 1 OF 1
		REV: A	
CUSTOMER COPY			