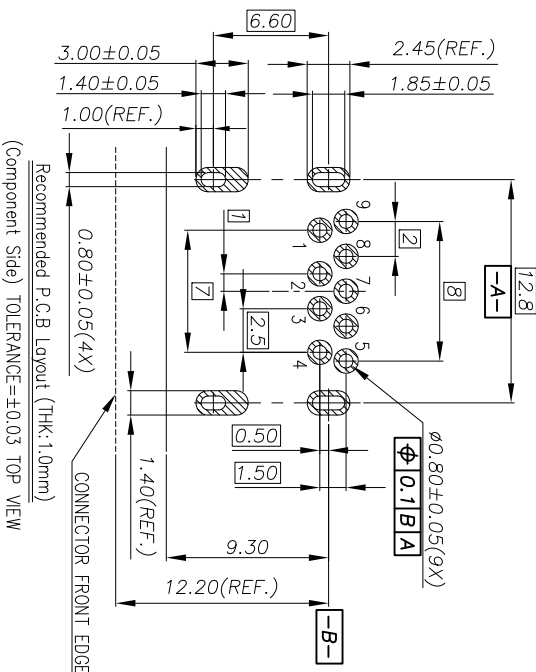
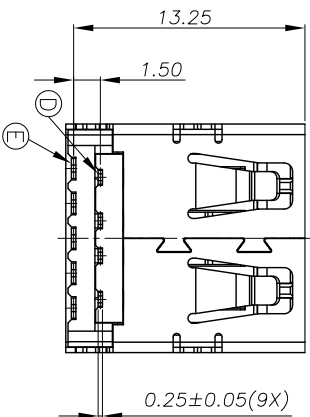
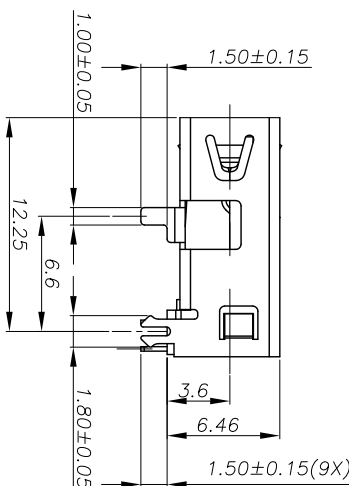
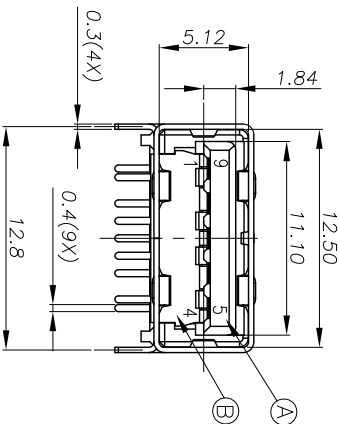
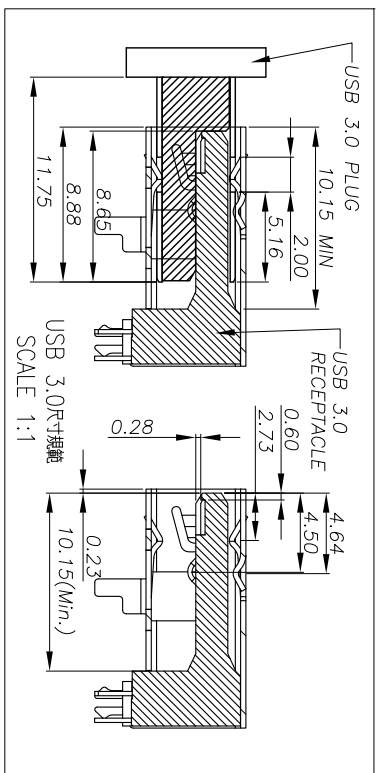
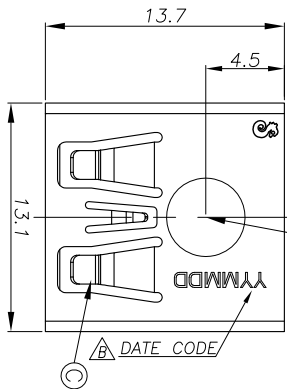
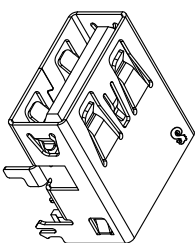


ø4.5mm AVAILABLE
VACUUM PICK UP AREA



SPECIFICATIONS:

- ELECTRICAL CHARACTERISTICS:
 - CURRENT RATING: 1.8A (PIN1,4) ; OTHER CONTACTS 0.25A
 - CONTACT RESISTANCE: 30mΩ MAX.
 - DIELECTRIC WITHSTANDING VOLTAGE: 100V AC FOR 1 MINUTE
 - INSULATION RESISTANCE: 100MΩ MIN
- MECHANICAL CHARACTERISTICS:
 - INSERTION FORCE : 3.5 Kgf MAX
 - WITHDRAWAL FORCE : 1.0~3.5 Kgf(NITIAL)
0.8 Kgf MIN(AFTER TEST)
- DURABILITY: 5,000 CYCLES.
- TO CONFORM TO SINGATRON HAZARDOUS SUBSTANCE FREE SPEC.
- HALOGEN FREE IDENTIFICATION MARK ON JACK: Ⓢ
- HALOGEN FREE IDENTIFICATION LABEL ON PACKAGING: Ⓢ
- FOR WAVE SOLDERING LEAD-FREE PROCESS.
- DATE : YMMDD
- PACKAGING : TAPE & REEL.



BLACK	2UB4006-810101F
BLUE(300C)	2UB4006-800101F
COLOR	PART NUMBER

Pin Number	Signal ASSIGNMENT
PIN 1	VBUS
PIN 2	D-
PIN 3	D+
PIN 4	GND
PIN 5	SDA_SSRX-
PIN 6	SDA_SSRX+
PIN 7	GND_DRAIN
PIN 8	SDA_SSTX-
PIN 9	SDA_SSTX+

E	TERMINAL	5	COPPER ALLOY	Ⓢ	Singatron Enterprise Co., Ltd. 信音企業股份有限公司
D	TERMINAL	4	COPPER ALLOY	Ⓢ	
C	SHELL	1	STAINLESS STEEL	Ⓢ	
B	BASE	1	PA9T(THERMOPLASTIC)	Ⓢ	
A	HOUSING	1	PA9T(THERMOPLASTIC)	Ⓢ	
NO	DESCRIPTION	QTY	MATERIAL	PLATING & COLOR	

UNLESS OTHERWISE SPECIFIED TOLERANCES:

DECIMALS: ANGLES:

X : ±0.5 X : ±2°
X.X : ±0.3 X.X : ±1'
X.XX : ±0.2

RECOMMENDED P.C.B LAYOUT (THK:1.0mm)
(Component Side) TOLERANCE=±0.03 TOP VIEW

TITLE: USB 3.0 CONNECTOR

DWN: PART NO. 2UB4006-8X0101F
CHKD: SCALE 1:1 UNIT: mm
APVD: ACHENG 2013.5.31 SIZE: A3 SHEET: 1 OF 1 REV: B

CUSTOMER COPY

REV. ECN NO OR DESCRIPTION	REVISED	DATE
A PRODUCT RELEASE	Remi	2012.04.10
B ECN NO: T120125	Duke	2013.05.21