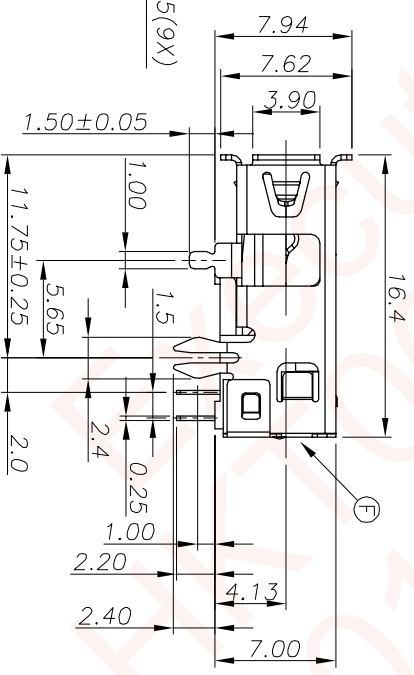
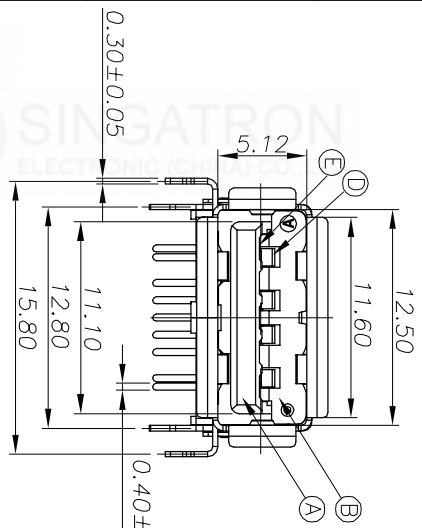


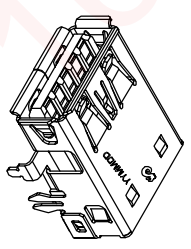
Recommended P.C.B Layout (THICKNESS=1.2mm)
(Component Side) TOLERANCE=±0.03 TOP VIEW



REV.	ECN NO OR DESCRIPTION	REVISED	DATE
C	ECN NO : T120004	VICTOR	2012.01.17
D	ECN NO : T130033	Victor	2013.08.06
E	ECN NO : S150165	SEAN	2015.05.06

SPECIFICATIONS:

- ELECTRICAL CHARACTERISTICS:
 - CURRENT RATING: 1.8A (PIN1,4) ; OTHER CONTACTS 0.25A
 - CONTACT RESISTANCE: 30mΩ MAX.
 - DIELECTRIC WITHSTANDING VOLTAGE: 300V AC FOR 1 MINUTE
 - INSULATION RESISTANCE: 100MΩ MIN
- MECHANICAL CHARACTERISTICS:
 - INSERTION FORCE : 3.5 Kgf MAX
 - WITHDRAWAL FORCE : 1.0 Kgf(INITIAL), 0.8Kgf(AFTER TEST)
 - DURABILITY: 5,000 CYCLES.
 - TO CONFORM TO SINGATRON HAZARDOUS SUBSTANCE FREE SPEC.
 - HALOGEN FREE IDENTIFICATION MARK ON JACK: ©
 - HALOGEN FREE IDENTIFICATION LABEL ON PACKAGING: ©
 - FOR IR-REFLOW LEAD-FREE PROCESS.
 - DATE : YMMDD
 - PACKAGING : TAPE & REEL.



Pin Number	Signal ASSIGNMENT
PIN 1	VBUS
PIN 2	D-
PIN 3	D+
PIN 4	GND
PIN 5	SD4L_SSRX-
PIN 6	SD4L_SSRX+
PIN 7	GND_DRAIN
PIN 8	SD4L_SSTX-
PIN 9	SD4L_SSTX+

NO	DESCRIPTION	QTY	MATERIAL	PLATING & COLOR
F	SHELL COVER	1	COPPER ALLOY	
E	TERMINAL	5	COPPER ALLOY	
D	TERMINAL	4	PHOSPHOR BRONZE	
C	SHELL	1	STAINLESS STEEL	NICKEL 60U"MIN
B	BASE	1	THERMOPLASTIC	BLUE (300C)
A	COVER	1	THERMOPLASTIC	BLUE (300C)
NO	DESCRIPTION	QTY	MATERIAL	PLATING & COLOR

UNLESS OTHERWISE SPECIFIED TOLERANCES

Singatron Enterprise Co., Ltd.
信晉企業股份有限公司

DECIMALS: ANGLES:

X : ±0.5 X : ±2°
X.X : ±0.4 X.X : ±1°
X.XX : ±0.3

TITLE: USB 3.0 REVERSE CONNECTOR

DWN: SEAN PART NO. 2UB4007-000101
CHKD: CERRY SCALE 1:1 UNIT: mm
APVD: LAO SIZE: A3 SHEET: 1 OF 1 REV: E

CUSTOMER COPY