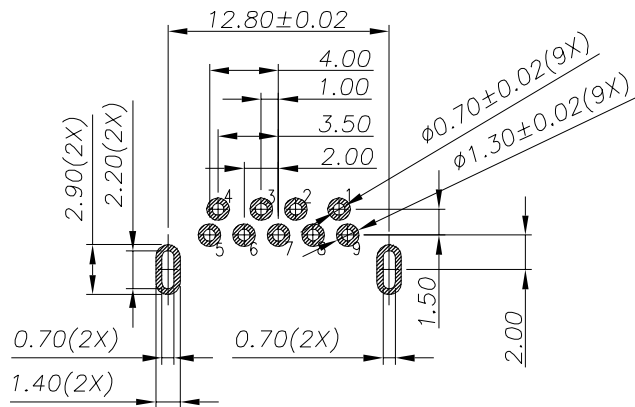
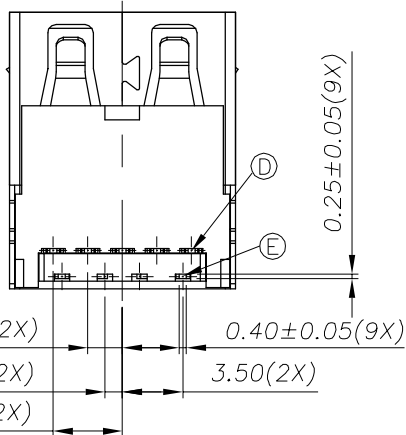
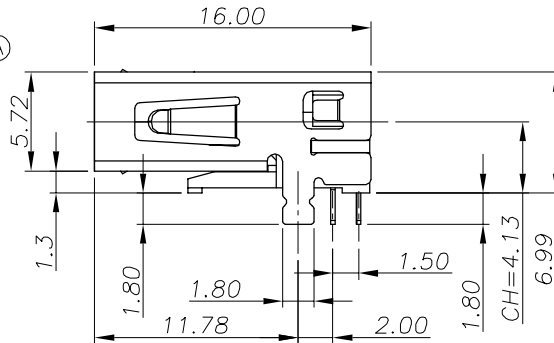
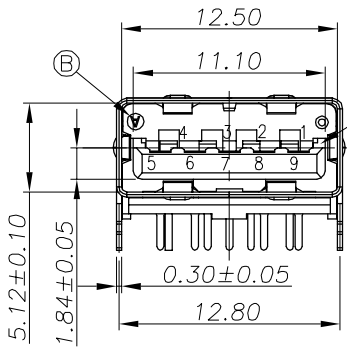
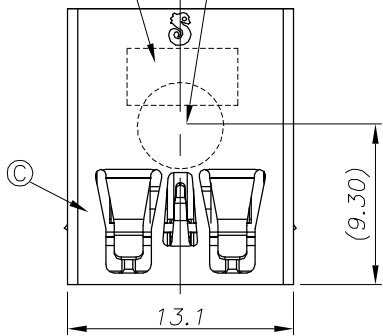
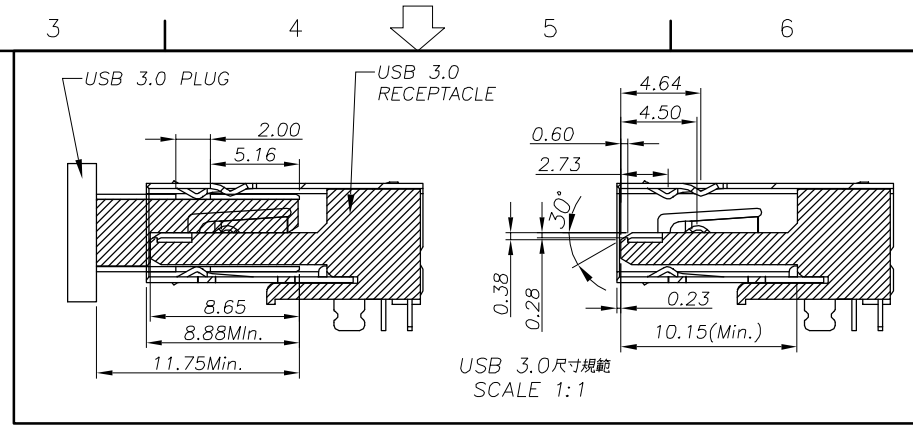


DATE CODE  $\phi 5.0\text{mm}$  AVAILABLE VACUUM PICK UP AREA

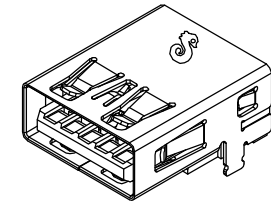


Recommended P.C.B Layout (THK:1.2mm)  
(Component Side) TOLERANCE=±0.03 TOP VIEW



USB 3.0尺寸規範  
SCALE 1:1

REV.	ECN NO OR DESCRIPTION	REVISED	DATE
A	PDR NO:T181023-4A	Charles	2019.11.19



SPECIFICATIONS:

- ELECTRICAL CHARACTERISTICS:
  - CURRENT RATING: 1.8A (PIN1,4) ; OTHER CONTACTS 0.25A
  - CONTACT RESISTANCE: 30mΩ MAX ;OTHER 50mΩ
  - DIELECTRIC WITHSTANDING VOLTAGE: 100V AC FOR 1 MINUTE
  - INSULATION RESISTANCE: 100MΩ MIN
- MECHANICAL CHARACTERISTICS:
  - INSERTION FORCE : 3.5 Kgf MAX
  - WITHDRAWAL FORCE : 1.0 Kgf MIN(INITIAL),0.8 Kgf(AFTER TEST)
- DURABILITY: 5,000 CYCLES.
- TO CONFORM TO SINGATRON HAZARDOUS SUBSTANCE FREE SPEC.
- HALOGEN FREE IDENTIFICATION MARK ON JACK:
- HALOGEN FREE IDENTIFICATION LABEL ON PACKAGING:
- FOR IR REFLOW PROCESS.
- DATE : YYMMDD
- PACKAGING : REEL.

Pin Number	Signal ASSIGNMENT
PIN 1	VBUS
PIN 2	D-
PIN 3	D+
PIN 4	GND
PIN 5	StdA_SSRX-
PIN 6	StdA_SSRX+
PIN 7	GND_DRAIN
PIN 8	StdA_SSTX-
PIN 9	StdA_SSTX+

NO	DESCRIPTION	QTY	MATERIAL	PLATING & COLOR
E	TERMINAL	5	C2680-H 0.25T	15uAu ON MATING AREA, Matte Sn100u PLATED ON SOLDERING, 80uNICKEL UNDER PLATING OVERALL
D	TERMINAL	4	C5210-EH 0.25T	15uAu ON MATING AREA, Matte Sn100u PLATED ON SOLDERING, 80uNICKEL UNDER PLATING OVERALL
C	SHELL	1	STAINLESS STEEL	NICKEL 60u"MIN
B	BASE	1	THERMOPLASTIC	BLUE
A	HOUSING	1	THERMOPLASTIC	BLUE
UNLESS OTHERWISE SPECIFIED TOLERANCES		Singatron Enterprise Co., Ltd. 信音企業股份有限公司		
DECIMALS: ANGLES:		TITLE		
X : ±0.5	X : ±2°	USB 3.0 REVERSE CONNECTOR		
X.X : ±0.3	X.X : ±1°	DWN	Charles	<b>PART NO.2UB4007-200501F</b>
X.XX : ±0.2		CHKD	James	SCALE 1:1 UNIT: mm
		APVD	Boye	SIZE: A3 SHEET:1 OF 1 REV:A
<b>CUSTOMER COPY</b>				