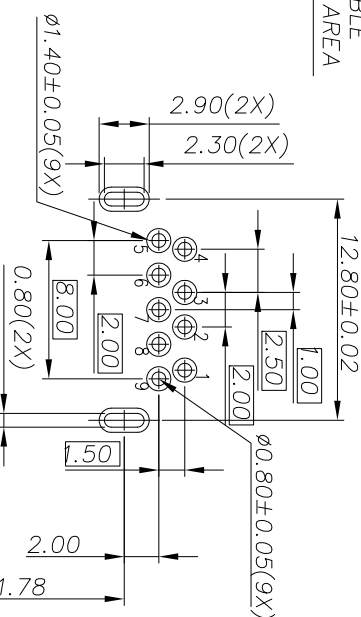
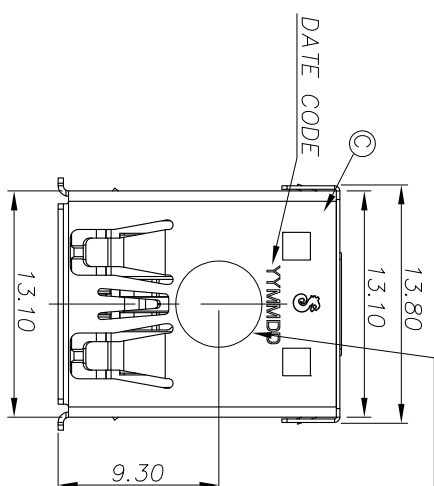
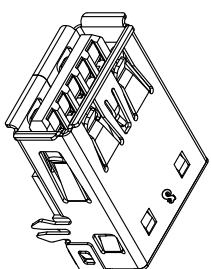
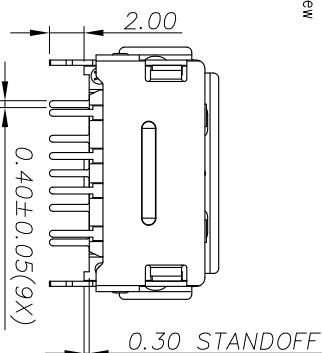
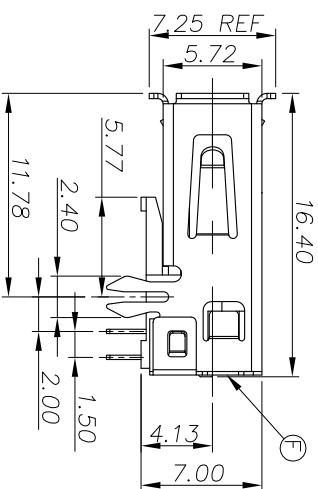
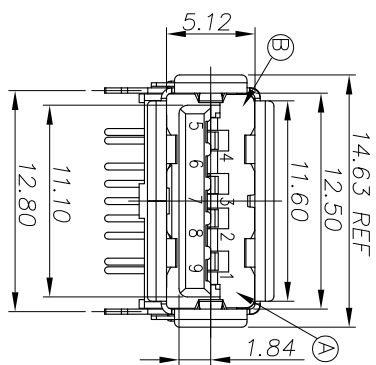


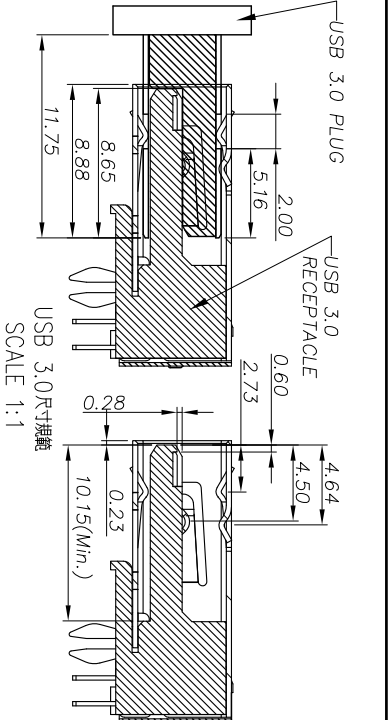
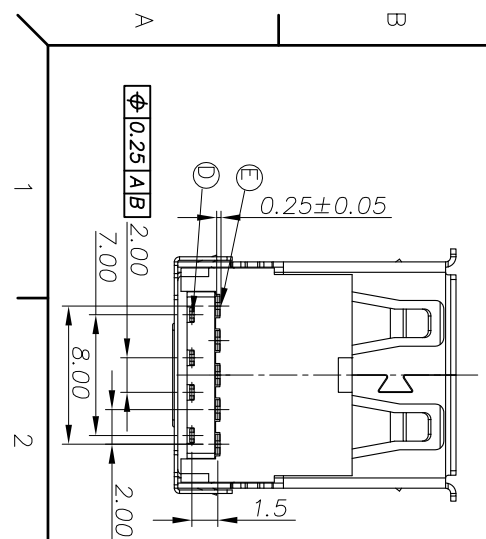
ø5.0mm AVAILABLE
VACUUM PICK UP AREA



Recommended P.C.B. Layout (THK:1.2mm)
(Component Side) TOLERANCE=±0.03 Top View



- SPECIFICATIONS:
- ELECTRICAL CHARACTERISTICS:
 - CURRENT RATING: 1.8A (PIN1-4) ; OTHER CONTACTS 0.25A
 - CONTACT RESISTANCE: 30mΩ MAX.
 - DIELECTRIC WITHSTANDING VOLTAGE: 100V AC FOR 1 MINUTE
 - INSULATION RESISTANCE: 100MΩ MIN
 - MECHANICAL CHARACTERISTICS:
 - INSERTION FORCE : 3.5 Kgf MAX
 - WITHDRAWAL FORCE : 1.0 kgf(INITIAL),0.8 kgf(AFTER TEST)
 - DURABILITY: 5,000 CYCLES.
 - TO CONFORM TO SINGATRON HAZARDOUS SUBSTANCE FREE SPEC.
 - HALOGEN FREE IDENTIFICATION MARK ON JACK: ☉
 - HALOGEN FREE IDENTIFICATION LABEL ON PACKAGING.
 - FOR IR RE-FLOW PROCESS.
 - DATE : YMWMD
 - PACKAGING : TAPE & REEL.



USB 3.0尺寸規範
SCALE 1:1

NO	DESCRIPTION	PLATING & COLOR
F	SHELL COVER	STAINLESS STEEL
E	TERMINAL	COPPER ALLOY
D	TERMINAL	COPPER ALLOY
C	SHELL	STAINLESS STEEL
B	BASE	THERMOPLASTIC
A	COVER	THERMOPLASTIC
NO	DESCRIPTION	PLATING & COLOR

UNLESS OTHERWISE SPECIFIED TOLERANCES

DECIMALS:	ANGLES:
X : ±0.5	X : ±2°
X.X : ±0.3	X.X : ±1°
X.XX : ±0.2	

TITLE	USB 3.0 REVERSE CONNECTOR
DWG	DATE
CHKD	PART NO. 2UB4007-500401F
APVD	SCALE 1:1
	SIZE: A3
	SHEET: 1 OF 1
	REV: A

Singatron Enterprise Co., Ltd.
信亨企業股份有限公司

CUSTOMER COPY

REV	ECN NO	OR DESCRIPTION	REVISED	DATE
A		PRODUCT RELEASE	Duke	2013.09.02