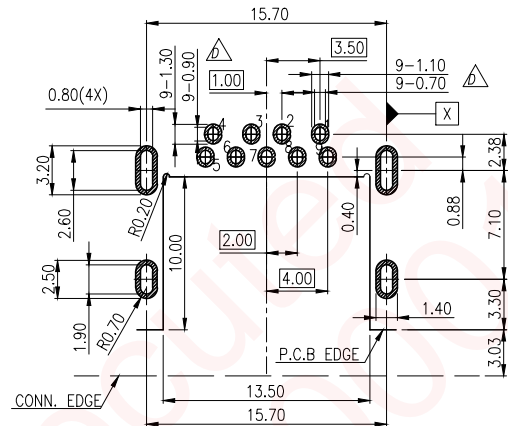
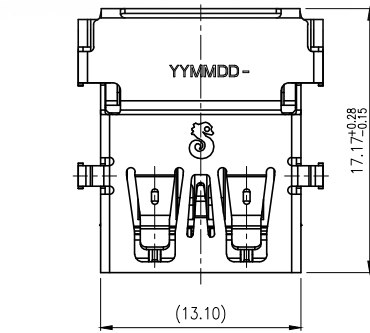


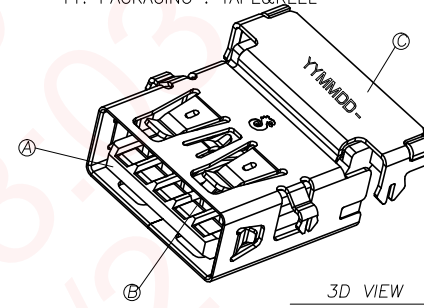
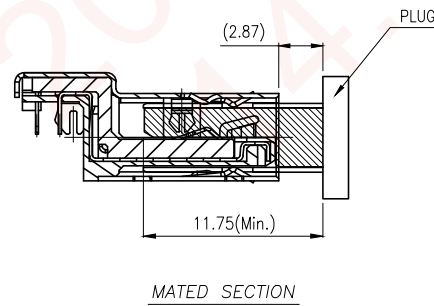
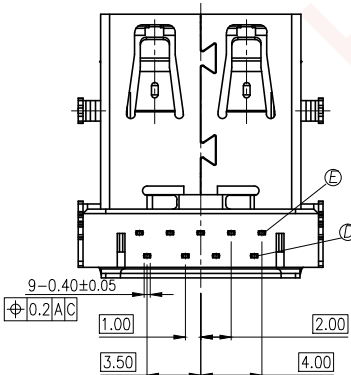
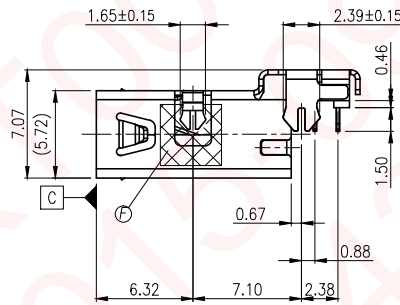
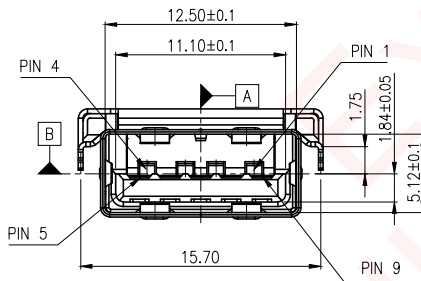
REV.	ECN NO OR DESCRIPTION	REVISED	DATE
B	ECN NO:S130743	Angus	2013.12.14
C	ECN NO:S140609	SEAN	2014.10.13
D	ECN NO:S150809-C	PENG	2015.09.14

SPECIFICATIONS:

- ELECTRICAL CHARACTERISTICS:
 - CURRENT RATING: 1.8A (PIN1,4) ; OTHER CONTACTS 0.25A
 - CONTACT RESISTANCE: 30mΩ MAX.(PIN1,4) 50mΩ MAX.(OTHER PIN)
 - DIELECTRIC WITHSTANDING VOLTAGE: 100V AC FOR 1 MINUTE
 - INSULATION RESISTANCE: 100MΩ MIN .
- MECHANICAL CHARACTERISTICS:
 - INSERTION FORCE : 2.5 Kgf MAX.
 - WITHDRAWAL FORCE : 1.0~2.5Kgf
INITIAL : 1.0~2.5Kgf.
TEST AFTER : 0.80~2.5Kgf.
- DURABILITY: 5,000 CYCLES.
- MEET USB3.0 STANDARD SPECIFICATION.
- RECOMMENDED PROCESS: WAVE SOLDER, 265±5°C, 3-5 SECONDS.
- TO CONFORM TO SINGATRON HAZARDOUS SUBSTANCE FREE SPEC.
- HALOGEN FREE PRODUCT IDENTIFICATION MARK ON JACK:
- HALOGEN FREE PRODUCT IDENTIFICATION LABEL ON PACKAGING:
- FOR WAVE SOLDERING LEAD-FREE PROCESS.
- DATE : YYMMDD-
- PACKAGING : TAPE&REEL



Recommended P.C.B Layout (THICKNESS=1.2mm)
(Component Side) TOLERANCE=±0.03



REMARK	Pin Number	Signal NAME
USB2.0 CONTACT PIN	1	VBUS
	2	D-
	3	D+
	4	GND
USB3.0 CONTACT PIN	5	StdA_SSRX-
	6	StdA_SSRX+
	7	GND_DRAIN
	8	StdA_SSTX-
	9	StdA_SSTX+

F	MYLAR	2	L4*W4*T0.06	
E	TERMINAL	5	COOPER ALLOY TO.2	GOLD FLASH ON CONTACT AREA, 100u" MATTE SN PLATED ON SOLDERING 60u" NICKEL UNDER PLATING OVERALL.
D	TERMINAL	4	COOPER ALLOY TO.2	
C	SHELL	1	STAINLESS TO.3	NICKEL 60u"MIN
B	BASE	1	HIGH THERMOPLASTIC	BLACK
A	HOUSING	1	UL 94V-V0	BLACK
NO	DESCRIPTION	QTY	MATERIAL	PLATING & COLOR

UNLESS OTHERWISE SPECIFIED TOLERANCES: Singatron Enterprise Co., Ltd.
信音企業股份有限公司

DECIMALS:	ANGLES:	TITLE	USB 3.0 REVERSE CONNECTOR		
X :±0.5	X :±2'	DWN PENG	PART NO.2UB4008-120101F		
X.X :±0.3	X.X :±1'	CHKD CERRY	SCALE 1:1	UNIT: mm	
X.XX :±0.2		APVD LIAO	SIZE: A3	SHEET:1 OF 1	REV: D
CUSTOMER COPY					