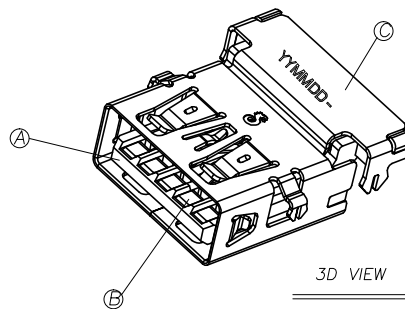


REV.	ECN NO OR DESCRIPTION	REVISED	DATE
B	ECN NO:S150324-C	PENG	2015.06.15
C	ECN NO:S161142-C	PENG	2017.01.06

SPECIFICATIONS:

- ELECTRICAL CHARACTERISTICS:
 - CURRENT RATING: 1.8A (PIN1,4) ; OTHER CONTACTS 0.25A
 - CONTACT RESISTANCE: 30mΩ MAX.(PIN1,4) 50mΩ MAX.(OTHER PIN)
 - DIELECTRIC WITHSTANDING VOLTAGE: 100V AC FOR 1 MINUTE
 - INSULATION RESISTANCE: 100MΩ MIN .
- MECHANICAL CHARACTERISTICS:
 - INSERTION FORCE : 3.5 Kgf MAX.
 - WITHDRAWAL FORCE : 1.0~3.5Kgf
INITIAL : 1.0~3.5Kgf.
TEST AFTER : 0.80~3.5Kgf.
- DURABILITY: 5,000 CYCLES.
- MEET USB3.0 STANDARD SPECIFICATION.
- RECOMMENDED PROCESS: WAVE SOLDER, 265±5°C, 3-5 SECONDS.
- TO CONFORM TO SINGATRON HAZARDOUS SUBSTANCE FREE SPEC.
- HALOGEN FREE PRODUCT IDENTIFICATION MARK ON JACK:
- HALOGEN FREE PRODUCT IDENTIFICATION LABEL ON PACKAGING:
- FOR WAVE SOLDERING LEAD-FREE PROCESS.
- DATE : YYMMDD-
- PACKAGING : TAPE&REEL



REMARK	Pin Number	Signal NAME
USB2.0 CONTACT PIN	1	VBUS
	2	D-
	3	D+
	4	GND
USB3.0 CONTACT PIN	5	StdA_SSRX-
	6	StdA_SSRX+
	7	GND_DRAIN
	8	StdA_SSTX-
	9	StdA_SSTX+

NO	DESCRIPTION	QTY	MATERIAL	PLATING & COLOR
F	MYLAR	2	L4*W4*T0.06	
E	TERMINAL	5	COOPER ALLOY T0.2	1uin Au ON CONTACT AREA, 100uin MATTE SN PLATED ON SOLDERING
D	TERMINAL	4	COOPER ALLOY T0.2	60uin NICKEL UNDER PLATING OVERALL
C	SHELL	1	STAINLESS T0.3	NICKEL 60uin MIN
B	BASE	1		BLACK
A	HOUSING	1	PA4T+30%GF (Ti/TiX1)UL94V-0	BLACK

UNLESS OTHERWISE SPECIFIED TOLERANCES

Singatron Enterprise Co., Ltd.
信音企業股份有限公司

DECIMALS:	ANGLES:	TITLE	USB 3.0 REVERSE CONNECTOR	
X :±0.5	X :±2°	DWN peng	PART NO.2UB4008-120102F	
X.X :±0.3	X.X :±1°	CHKD james	SCALE 1:1	UNIT: mm
X.XX :±0.2		APVD boye	SIZE: A3	SHEET: 1 OF 1
REV: C				
CUSTOMER COPY				