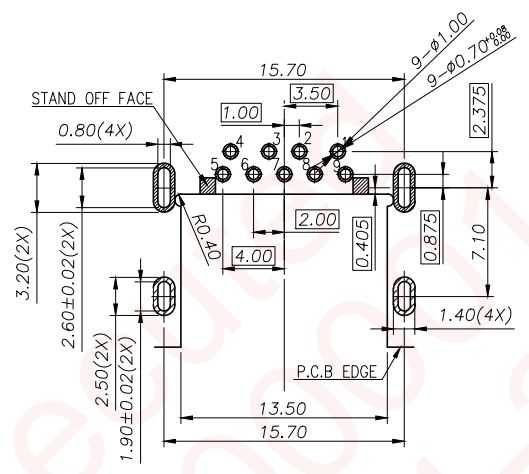
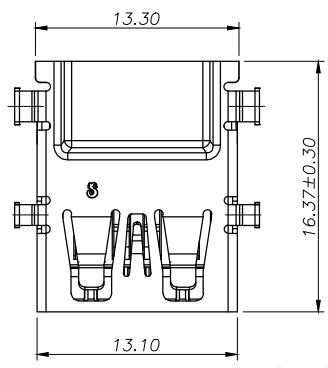




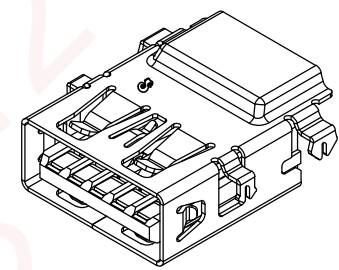
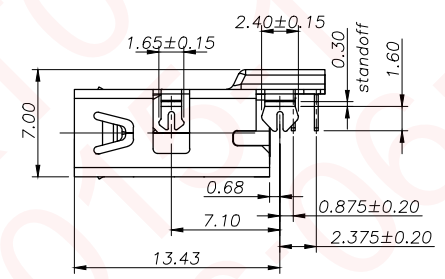
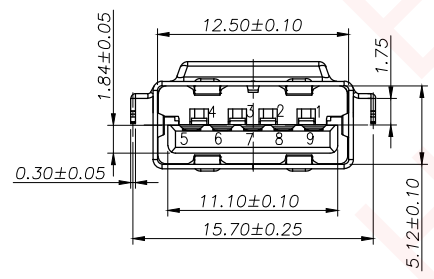
REV.	ECN NO OR DESCRIPTION	REVISED	DATE
A.	PDR NO : T130913-1A	FLY	2013.12.30
B	ECN NO.:S130930	SEAN	2014.05.06
C	ECN NO.:S150934-C	PENG	2015.10.14



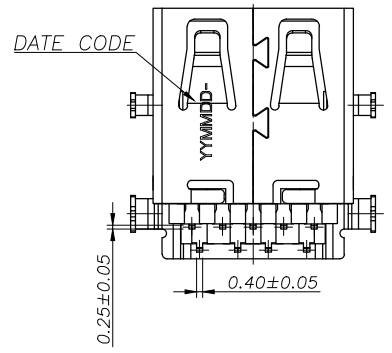
SPECIFICATIONS:

- ELECTRICAL CHARACTERISTICS:**
 - CURRENT RATING: 1.8A (PIN1,4) ; OTHER CONTACTS 0.25A.
 - CONTACT RESISTANCE: 30mΩ MAX.
 - DIELECTRIC WITHSTANDING VOLTAGE: 100V AC FOR 1 MINUTE.
 - INSULATION RESISTANCE: 100MΩ MIN.
- MECHANICAL CHARACTERISTICS:**
 - INSERTION FORCE : 3.5 Kgf MAX.
 - WITHDRAWAL FORCE : 1.0 Kgf MIN.
- DURABILITY:** 5,000 CYCLES.
- TO CONFORM TO SINGATRON HAZARDOUS SUBSTANCE FREE SPEC.
- HALOGEN FREE PRODUCT IDENTIFICATION MARK ON JACK:
- HALOGEN FREE PRODUCT IDENTIFICATION LABEL ON PACKAGING:
- FOR IR REFLOW PROCESS.
- DATE : YYMMDD-
- PACKAGING : TAPE & REEL.

Recommended P.C.B Layout (THICKNESS=1.2mm)
(Component Side) TOLERANCE=±0.03 TOP VIEW



Pin Number	Signal NAME
1	VBUS
2	D-
3	D+
4	GND
5	StdA_SSRX-
6	StdA_SSRX+
7	GND_DRAIN
8	StdA_SSTX-
9	StdA_SSTX+



E	TERMINAL	5	COOPER ALLOY	GOLD FLASH PLATED ON MATING AREA.
D	TERMINAL	4	COOPER ALLOY	Min. Sn 100µm PLATED ON SOLDERING
C	SHELL	1	STAINLESS STEEL	NICKEL 60µ"MIN
B	BASE	1	PA-9T+45%GF UL94V-0	RED (199C)
A	HOUSING	1	PA-9T+45%GF UL94V-0	RED (199C)
NO	DESCRIPTION	QTY	MATERIAL	PLATING & COLOR

UNLESS OTHERWISE SPECIFIED TOLERANCES		Singatron Enterprise Co., Ltd. 信音企業股份有限公司		
DECIMALS:	ANGLES:	TITLE		
X :±0.5	X :±2°	DWN	PENG	PART NO.2UB4008-160101F
X.X :±0.3	X.X :±1°	CHKD	CERRY	SCALE 1:1 UNIT: mm
X.XX :±0.2		APVD	LIAO	SIZE: A3 SHEET:1 OF 1 REV: C
CUSTOMER COPY				