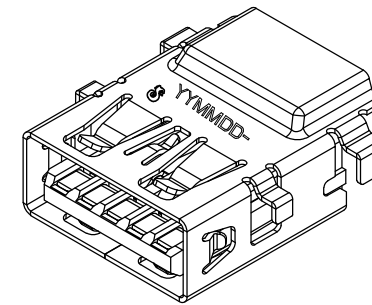


| REV. | ECN NO OR DESCRIPTION | REVISED | DATE |
|------|-----------------------|----------|------------|
| A | PDR NO :T150213-5A | Edi.Zhou | 2015.05.07 |
| B | ECN NO :S160108-C | peng | 2016.05.20 |
| C | ECN NO :S160908-C | peng | 2016.09.30 |

SPECIFICATIONS:

- ELECTRICAL CHARACTERISTICS:
 - CURRENT RATING: 1.8A (PIN1,4) ; OTHER CONTACTS 0.25A
 - CONTACT RESISTANCE: 30mΩ MAX.
 - DIELECTRIC WITHSTANDING VOLTAGE: 100V AC FOR 1 MINUTE
 - INSULATION RESISTANCE: 100MΩ MIN.
- MECHANICAL CHARACTERISTICS:
 - INSERTION FORCE : 3.5 Kgf MAX.
 - WITHDRAWAL FORCE : 1.0 Kgf MIN.
- DURABILITY: 5,000 CYCLES.
- TO CONFORM TO SINGATRON HAZARDOUS SUBSTANCE FREE SPEC.
- HALOGEN FREE PRODUCT IDENTIFICATION MARK ON JACK:⊙
- HALOGEN FREE PRODUCT IDENTIFICATION LABEL ON PACKAGING:Ⓢ
- FOR IR REFLOW PROCESS.
- DATE : YMMDD-
- PACKAGING : TAPE & REEL.



| Pin Number | Signal NAME |
|------------|-------------|
| 1 | VBUS |
| 2 | D- |
| 3 | D+ |
| 4 | GND |
| 5 | StdA_SSRX- |
| 6 | StdA_SSRX+ |
| 7 | GND_DRAIN |
| 8 | StdA_SSTX- |
| 9 | StdA_SSTX+ |

| NO | DESCRIPTION | QTY | MATERIAL | PLATING & COLOR |
|----|-------------|-----|-----------------|---|
| F | MYLAR | 2 | 4.00mm*4.00mm | YELLOW |
| E | TERMINAL | 5 | BRASS | |
| D | TERMINAL | 4 | PHOSPHOR COPPER | 2μin Au+30μin Pd/Ni ON CONTACT AREA, 100μin MATTE SN PLATED ON SOLDERING 80μin NICKEL UNDER PLATING OVERALL |
| C | SHELL | 1 | STAINLESS STEEL | NICKEL 80μin MIN |
| B | BASE | 1 | PA9T+45%GF | BLACK |
| A | HOUSING | 1 | PA9T+45%GF | BLACK |

| UNLESS OTHERWISE SPECIFIED TOLERANCES | | Singatron Enterprise Co., Ltd. 信音企業股份有限公司 | |
|---------------------------------------|----------|--|---------------------------|
| DECIMALS: | ANGLES: | TITLE | USB 3.0 REVERSE CONNECTOR |
| X :±0.5 | X :±2° | DWN | peng |
| X.X :±0.3 | X.X :±1° | CHKD | james |
| X.XX :±0.2 | | APVD | boye |
| | | SCALE 1:1 UNIT: mm | |
| | | SIZE: A3 SHEET: 1 OF 1 | |
| | | REV: C | |
| CUSTOMER COPY | | | |