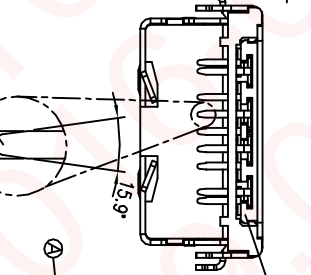
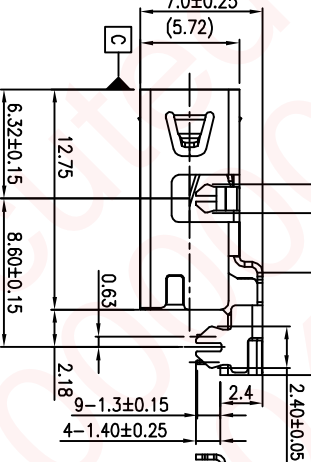
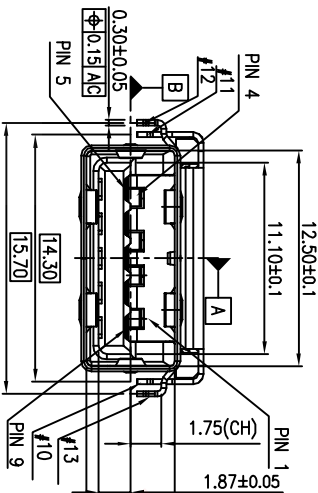


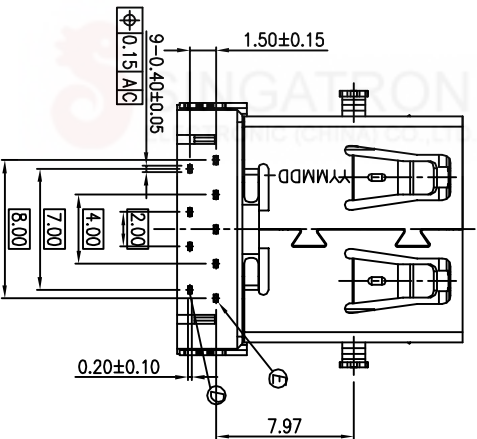
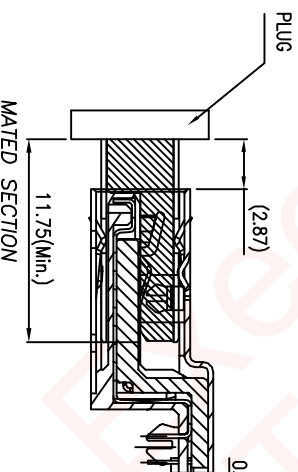
Recommended P.C.B Layout (THICKNESS=1.2mm)
(Component Side) TOLERANCE=±0.03



3D VIEW

REMARK	Pin Number	Signal NAME
1	1	VBUS
2	2	D-
3	3	D+
4	4	GND
5	5	StidL_SSRX-
6	6	StidL_SSRX+
7	7	GND_DRAIN
8	8	StidL_SSTX-
9	9	StidL_SSTX+

WELD FLASH ON CONTACT AREA, SOLDERING 60%/40% Sn/Pb, UNDER FLAME OR IR RADIATION.



SPECIFICATIONS:

- ELECTRICAL CHARACTERISTICS:
 - CURRENT RATING: 1.8A (PIN1,4) ; OTHER CONTACTS 0.25A
 - CONTACT RESISTANCE: 30mΩ MAX.(PIN1,4) 50mΩ MAX.(OTHER PIN)
 - DIELECTRIC WITHSTANDING VOLTAGE: 100V AC FOR 1 MINUTE
 - INSULATION RESISTANCE: 100MΩ MIN.
- MECHANICAL CHARACTERISTICS:
 - INSERTION FORCE : 3.5 Kgf MAX.
 - WITHDRAWAL FORCE : 1.0~3.5Kgf INITIAL : 1.0~3.5Kgf.
- DURABILITY: 5,000 CYCLES.
- MEET USB3.0 STANDARD SPECIFICATION.
- RECOMMENDED PROCESS: WAVE SOLDER,265±5°C,3--5 SECONDS.
- TO CONFORM TO SINGATRON HAZARDOUS SUBSTANCE FREE SPEC.
- HALOGEN PRODUCT IDENTIFICATION MARK ON JACK:
- HALOGEN PRODUCT IDENTIFICATION LABEL ON PACKAGING:
- FOR IR REFLOW
- DATE : YYMMDD-
- PACKAGING : TAPE&REEL
- #10,#11,#12,#13 IS GND_DRAIN

TEST AFTER : 0.80~3.5Kgf.

TEST AFTER : 5,000 CYCLES.

MEET USB3.0 STANDARD SPECIFICATION.

RECOMMENDED PROCESS: WAVE SOLDER,265±5°C,3--5 SECONDS.

TO CONFORM TO SINGATRON HAZARDOUS SUBSTANCE FREE SPEC.

HALOGEN PRODUCT IDENTIFICATION MARK ON JACK:

HALOGEN PRODUCT IDENTIFICATION LABEL ON PACKAGING:

FOR IR REFLOW

DATE : YYMMDD-

PACKAGING : TAPE&REEL

#10,#11,#12,#13 IS GND_DRAIN

TERMINAL	DESCRIPTION	QTY	PLATING & COLOR
E	TERMINAL	5	C2680-H 0.2T
D	TERMINAL	4	C5210-EH 0.2T
C	SHELL	1	SUS304-1/2H 0.3T
B	BASE	1	PA10T VICNYL R630NH
A	HOUSING	1	BK003 UV-0 (無鉛)
NO	DESCRIPTION		MATERIAL

UNLESS OTHERWISE SPECIFIED TOLERANCES

Singatron Enterprise Co., Ltd.
信音企業股份有限公司

TITLE: USB 3.0 REVERSE CONNECTOR

DWN: TOMMY PART NO. 2UB4008-370101F

CHKD: X.X SCALE 1:1 UNIT: mm

APVD: X.XX SIZE: A3 SHEET: 1 OF 1 REV: A

CUSTOMER COPY