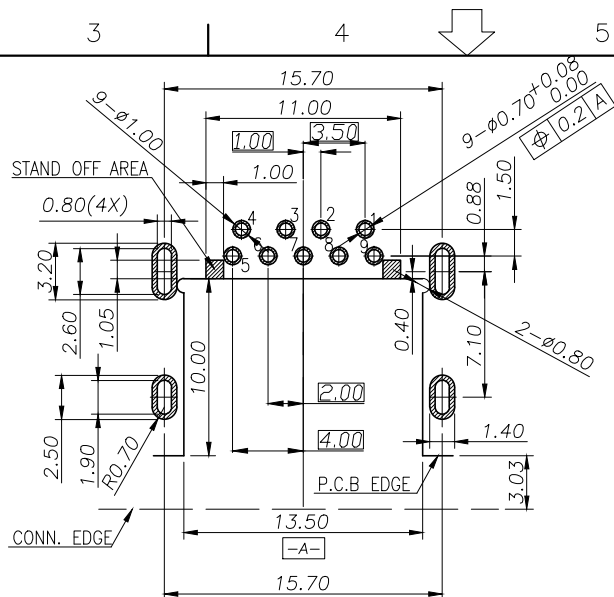
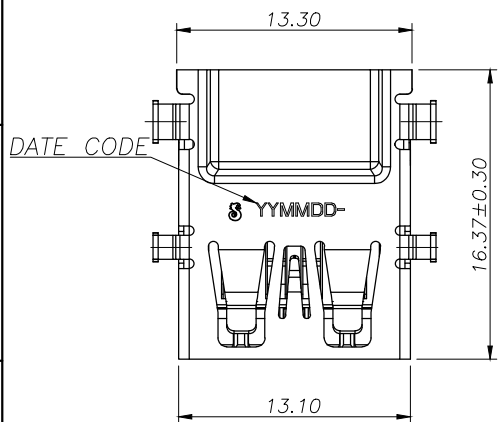
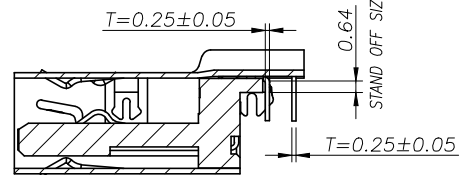
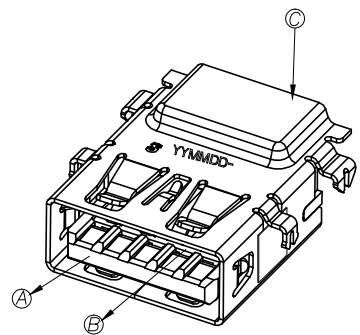
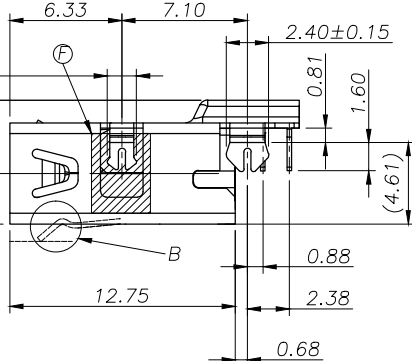
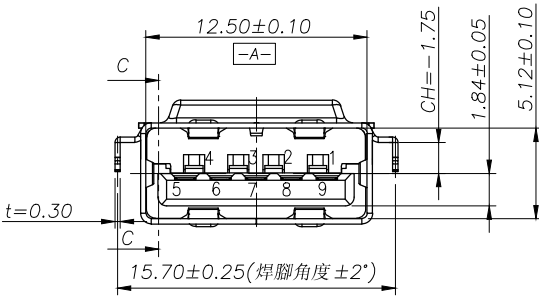


REV.	ECN NO OR DESCRIPTION	REVISED	DATE
A	PDR NO: T160506-2A	Eileen	2016.08.22
B	ECN NO:S161017-C	peng	2016.11.16



Recommended P.C.B Layout (THICKNESS=1.2mm)
(Component Side) TOLERANCE=±0.03



SECTION C-C
SCALE 1:1

SPECIFICATIONS:

- ELECTRICAL CHARACTERISTICS:
 - CURRENT RATING: 1.8A (PIN1,4) ; OTHER CONTACTS 0.25A
 - CONTACT RESISTANCE: 30mΩ MAX.(PIN1,4) ,50mΩ MAX.(OTHER PIN)
 - DIELECTRIC WITHSTANDING VOLTAGE: 100V AC FOR 1 MINUTE
 - INSULATION RESISTANCE: 100MΩ MIN .
- MECHANICAL CHARACTERISTICS:
 - INSERTION FORCE : 3.0 Kgf MAX.
 - WITHDRAWAL FORCE : 0.7~3.0Kgf
- DURABILITY: 5,000 CYCLES.
- MEET USB3.0 STANDARD SPECIFICATION.
- RECOMMENDED PROCESS: WAVE SOLDER, 265±5°C, 3-5 SECONDS.
- OTHER GENERAL SPEC. TO REFER "2UB4008-900101F SPEC".
- TO CONFORM TO SINGATRON HAZARDOUS SUBSTANCE FREE SPEC.
- HALOGEN FREE PRODUCT IDENTIFICATION MARK ON JACK:
- HALOGEN FREE PRODUCT IDENTIFICATION LABEL ON PACKAGING:
- FOR WAVE SOLDERING LEAD-FREE PROCESS.
- DATE : YMMDD-
- PACKAGING : TAPE&REEL

REMARK	Pin Number	Signal NAME
USB2.0 CONTACT PIN	1	VBUS
	2	D-
	3	D+
	4	GND
USB3.0 CONTACT PIN	5	StdA_SSRX-
	6	StdA_SSRX+
	7	GND_DRAIN
	8	StdA_SSTX-
	9	StdA_SSTX+

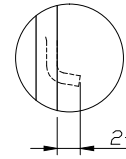
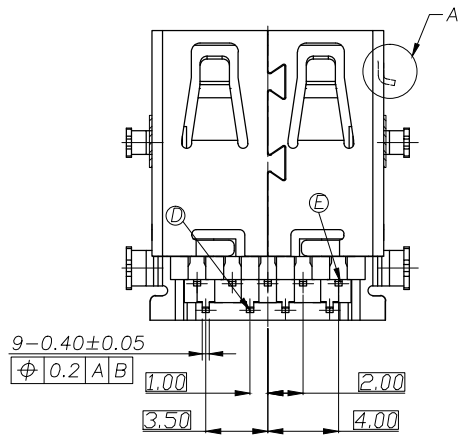
NO	DESCRIPTION	QTY	MATERIAL	PLATING & COLOR
F	MYLAR	2	KAPTON	YELLOW
E	TERMINAL	5	COOPER ALLOY TO.25	GOLD FLASH MIN ON CONTACT AREA, 100u" MATTE SN PLATED ON SOLDERING
D	TERMINAL	4	COOPER ALLOY TO.25	60u" NICKEL UNDER PLATING OVERALL
C	SHELL	1	STAINLESS TO.3	BLACK NICKEL 50u" MIN
B	BASE	1	HIGH THERMOPLASTIC UL94V-0	BLACK
A	HOUSING	1	HIGH THERMOPLASTIC UL94V-0	BLACK

UNLESS OTHERWISE SPECIFIED TOLERANCES

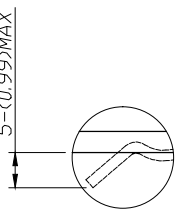
Singatron Enterprise Co., Ltd.
信音企業股份有限公司

DECIMALS:	ANGLES:	TITLE	USB 3.0 REVERSE CONNECTOR	
X :±0.5	X :±2°	DWN	peng	PART NO.2UB4008-380101F
X.X :±0.3	X.X :±1°	CHKD	james	SCALE 1:1 UNIT: mm
X.XX :±0.2		APVD	boye	SIZE: A3 SHEET: 1 OF 1 REV:B

CUSTOMER COPY



Detail A
PLUG IN



Detail B
Spring Motion Highest Point