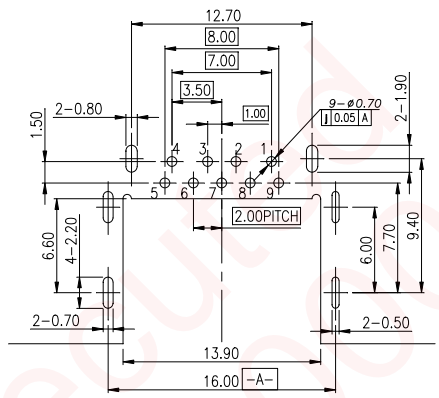
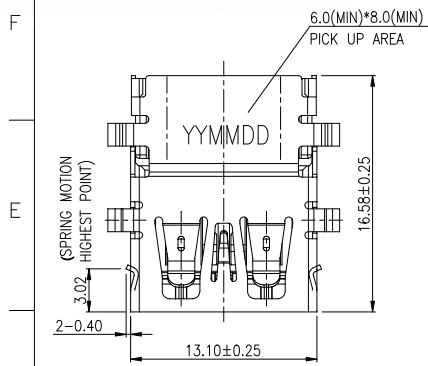
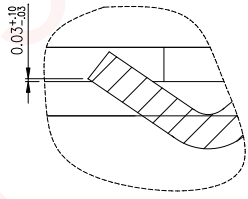
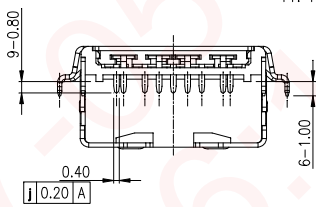
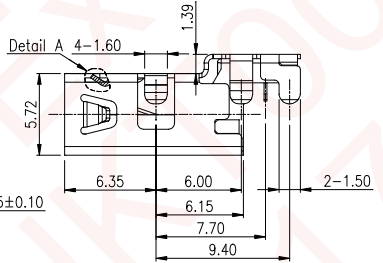
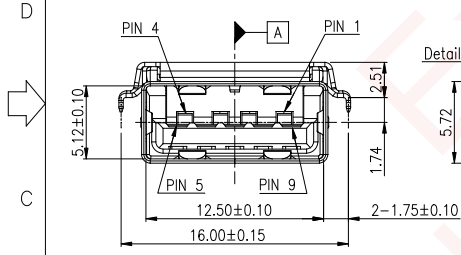


REV.	ECN NO OR DESCRIPTION	REVISED	DATE
A	PDR NO. S160519-5A	JAMES	2017.04.24

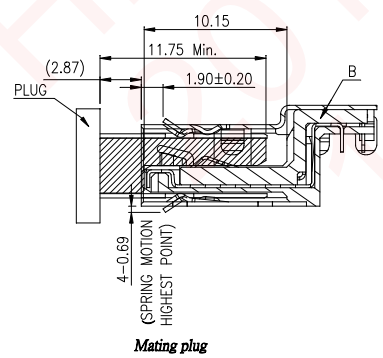
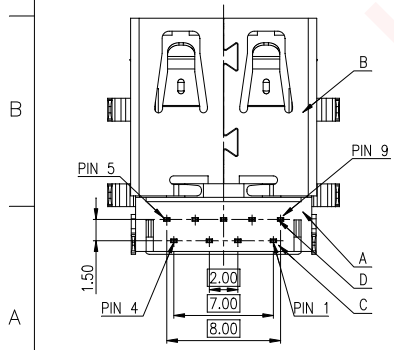


Recommended P.C.B Layout (THICKNESS=0.6mm)
(Component Side) TOLERANCE=±0.03

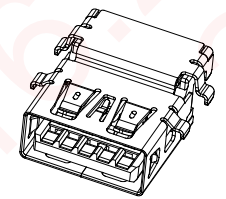
- SPECIFICATIONS:
- ELECTRICAL CHARACTERISTICS:
 - CURRENT RATING: 1.8A (PIN1,4) ; OTHER CONTACTS 0.25A
 - CONTACT RESISTANCE: 30mΩ MAX.(PIN1,4) 50mΩ MAX.(OTHER PIN)
 - DIELECTRIC WITHSTANDING VOLTAGE: 100V AC FOR 1 MINUTE
 - INSULATION RESISTANCE: 100MΩ MIN .
 - MECHANICAL CHARACTERISTICS:
 - INSERTION FORCE : 3.5 Kgf MAX.
 - WITHDRAWAL FORCE : 1.0~3.5Kgf
INITIAL : 1.0~3.5Kgf.
TEST AFTER : 0.80~3.5Kgf.
 - DURABILITY: 5,000 CYCLES.
 - MEET USB3.0 STANDARD SPECIFICATION.
 - RECOMMENDED PROCESS: WAVE SOLDER, 265±5° C, 3~5 SECONDS.
 - TO CONFORM TO SINGATRON HAZARDOUS SUBSTANCE FREE SPEC.
 - HALOGEN PRODUCT IDENTIFICATION MARK ON JACK:
 - HALOGEN PRODUCT IDENTIFICATION LABEL ON PACKAGING:
 - FOR IR REFLOW
 - DATE : YYMMDD-
 - PACKAGING : TAPE&REEL



Detail A
Scale 8:1



Mating plug



3D VIEW

REMARK	Pin Number	Signal NAME
USB2.0 CONTACT PIN	1	VBUS
	2	D-
	3	D+
	4	GND
USB3.0 CONTACT PIN	5	StdA_SSRX-
	6	StdA_SSRX+
	7	GND_DRAIN
	8	StdA_SSTX-
	9	StdA_SSTX+

NO	DESCRIPTION	QTY	MATERIAL	PLATING & COLOR
E	TERMINAL	5	COPPER ALLOY	5±0.05 Au PLATED ON CONTACT AREA, 100±0.05 Ni, MATTE Sn PLATED ON SOLDERING
D	TERMINAL	4	COPPER ALLOY	60±0.05 Ni, MATTE Sn PLATED ON SOLDERING
C	SHELL	1	SUS304-1/2H 0.3T	BLACK NICKEL 60u"MIN
B	BASE	1	PA10T R630NH+30%GF	BLACK
A	HOUSING	1	UL94 V-0 (無鉛)	BLACK

UNLESS OTHERWISE SPECIFIED TOLERANCES		Singatron Enterprise Co., Ltd. 信音企業股份有限公司	
DECIMALS:	ANGLES:	TITLE	USB 3.0 REVERSE CONNECTOR
X : ±0.5	X : ±2'	DWN	JAMES PART NO.2UB4008-410101F
X.X : ±0.3	X.X : ±1'	CHKD	SCALE 1:1 UNIT: mm
X.XX : ±0.2		APVD	BOYE SIZE: A3 SHEET: 1 OF 1 REV: A
CUSTOMER COPY			