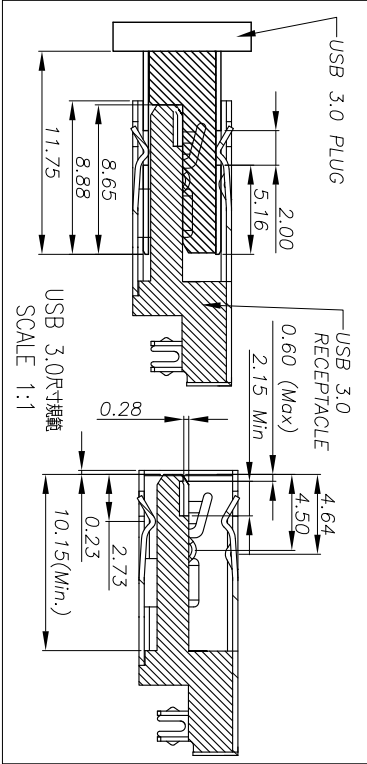
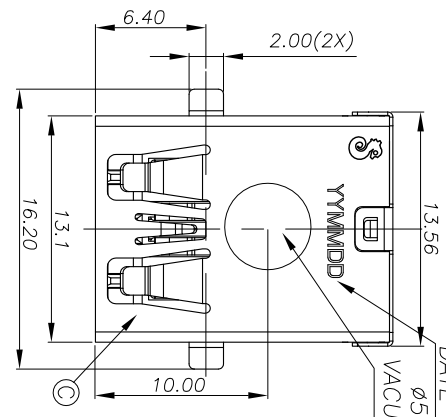
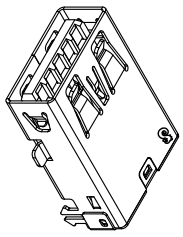
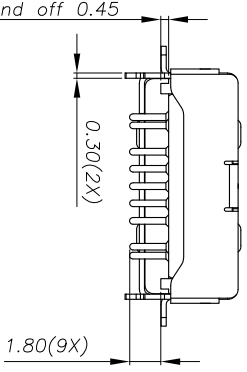
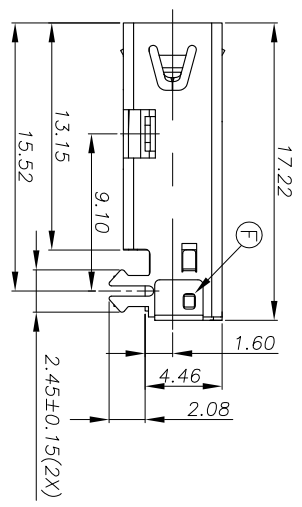
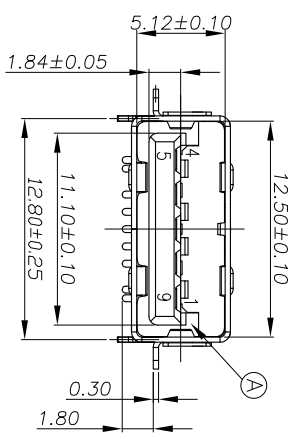


DATE CODE
 Ø5.0mm AVAILABLE
 VACUUM PICK UP AREA

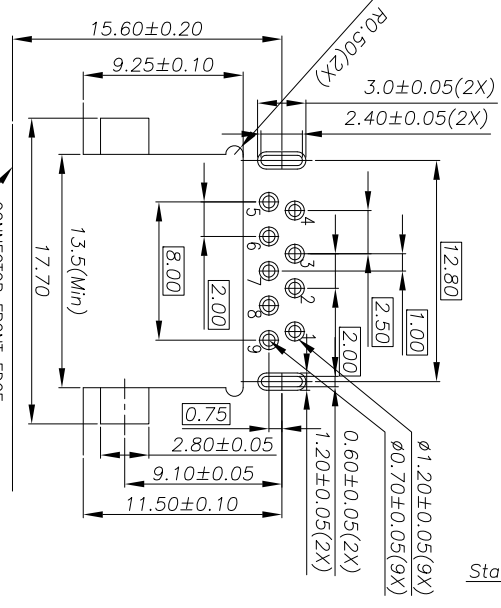
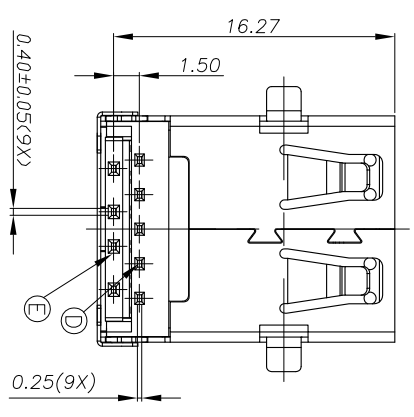


SPECIFICATIONS:

- ELECTRICAL CHARACTERISTICS:
 - CURRENT RATING: 1.8A (PIN1,4) ; OTHER CONTACTS 0.25A
 - CONTACT RESISTANCE: 30mΩ MAX.
 - DILECTRIC WITHSTANDING VOLTAGE: 100V AC FOR 1 MINUTE
 - INSULATION RESISTANCE: 100MΩ MIN
- MECHANICAL CHARACTERISTICS:
 - INSERTION FORCE : 3.5 Kgf MAX
 - WITHDRAWAL FORCE : 1.0 Kgf (INITIAL), 0.8Kgf(AFTER TEST)
- DURABILITY: 5,000 CYCLES.
- TO CONFORM TO SINGATRON HAZARDOUS SUBSTANCE FREE SPEC.
- HALOGEN FREE IDENTIFICATION MARK ON JACK: ©
- HALOGEN FREE IDENTIFICATION LABEL ON PACKAGING:
- FOR IR REFLOW PROCESS.
- DATE : YYMMDD
- PACKAGING : TAPE & REEL.



Pin Number	Signal NAME
1	VBUS
2	D-
3	D+
4	GND
5	StDA_SSRX-
6	StDA_SSRX+
7	GND_DRAIN
8	StDA_SSTX-
9	StDA_SSTX+



Recommended P.C.B Layout THICKNESS: 1.2mm
 Component Side TOLERANCE=±0.03 TOP VIEW

NO	DESCRIPTION	QTY	MATERIAL	PLATING & COLOR
F	REAR SHELL	1	STAINLESS STEEL	
E	TERMINAL	5	COPPER ALLOY	
D	TERMINAL	4	COPPER ALLOY	
C	SHELL	1	STAINLESS STEEL	NICKEL 60u"MIN
B	BASE	1	PA-9T UL94V-0	BLUE
A	COVER	1	PA-9T UL94V-0	BLUE
NO	DESCRIPTION	QTY	MATERIAL	PLATING & COLOR

UNLESS OTHERWISE SPECIFIED TOLERANCES

Singatron Enterprise Co., Ltd.
 信亨企業股份有限公司

TITLE	USB 3.0 REVERSE CONNECTOR
DRAWN	VECTOR
CHKD	SCALE 1:1
APVD	SIZE: A3
	SHEET: 1 OF 1
	REV: B

DECIMALS: ANGLES: X :±2° X.X :±0.4 X.X.X :±1° X.XX :±0.3

CUSTOMER COPY