

REV.	ECN NO OR DESCRIPTION	REVISED	DATE
A	PDR RELEASE	NY-C	2011.03.10
B	ECN NO:L110080	NY-C	2011.08.01

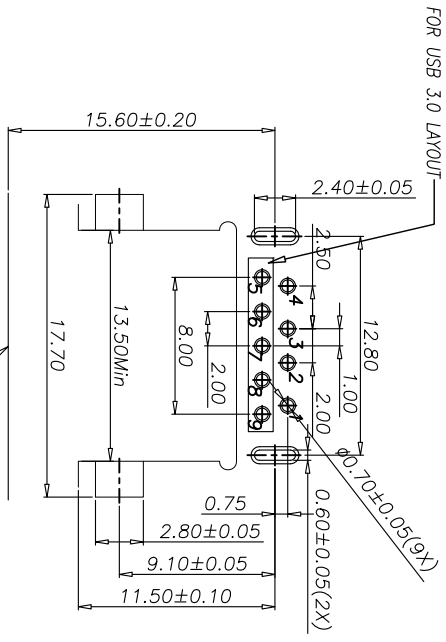
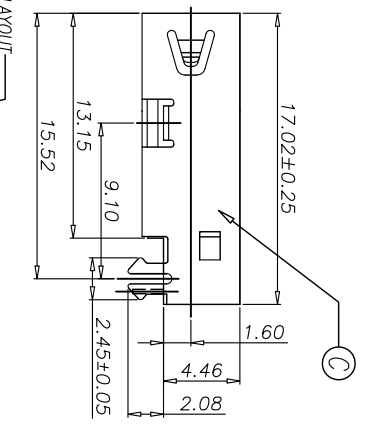
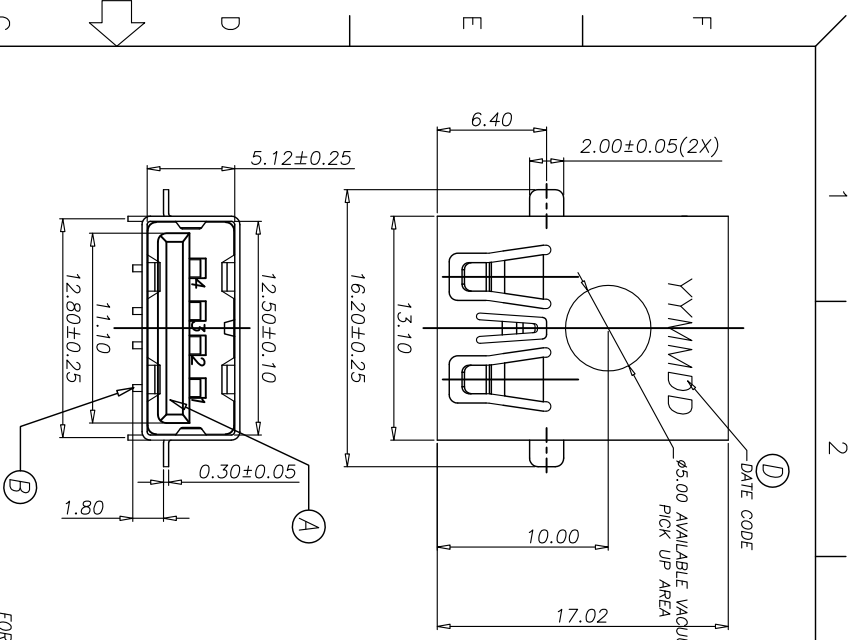
SPECIFICATIONS:

1. ELECTRICAL CHARACTERISTICS:

- 1-1. RATING: 1.5A; 30V.
- 1-2. CONTACT RESISTANCE: 30mΩ MAX.
- 1-3. INSULATION RESISTANCE: 1000MΩ MIN. @ 500V DC.
- 1-4. DIELECTRIC WITHSTANDING VOLTAGE: 500V AC FOR 1 MINUTE.

2. MECHANICAL CHARACTERISTICS:

- 2-1. INSERTION FORCE: 1.0~2.0 Kgf
- 2-2. WITHDRAWAL FORCE: 1.0~2.0 Kgf
- 3. LIFE TEST: 5,000 CYCLES MIN.
- 4. OPERATING TEMPERATURE: -55°C TO +85°C.
- 5. OTHER GENERAL SPEC. TO REFER "ZUB4011 SERIES SPEC".
- 6. TO CONFORM TO THE SINGATRON HAZARDOUS SUBSTANCE FREE SPEC.
- 7. HALOGEN FREE PRODUCT IDENTIFICATION LABEL ON PACKAGING.
- 8. PACKAGE: SEE "ZUB4011 SERIES" PACKAGE.
- 9. FOR REFLOW SOLDERING LEAD-FREE PROCESS.



RECOMMENDED PCB LAYOUT

CONNECTOR FRONT EDGE

PART NO.

ZUB4011-000111

- PACKAGE
- 1: TAPE AND REEL
- HOUSING COLOR
- 1: BLACK
- CONTACT PLATING
- 1: GOLD FLASH ON CONTACT AREA,
- TIN ON SOLDER AREA

NO	DESCRIPTION	QTY	MATERIAL	PLATING & COLOR
D	INK			BLACK
C	SHELL	1	STAINLESS STEEL	NICKEL PLATED
B	CONTACT	4	COPPER ALLOY	SEE PART NO.
A	HOUSING	1	LCP+30%G.F. UL94V-0	BLACK

UNLESS OTHERWISE SPECIFIED TOLERANCES

DECIMALS: ANGLES: TITLE

X : ±0.5 X : ±1°
 X.X : ±0.3 X.X : ±1'
 X.XX : ±0.2

CHKD	SCALE	UNIT	REV.
APVD	1:1	mm	B

CUSTOMER COPY