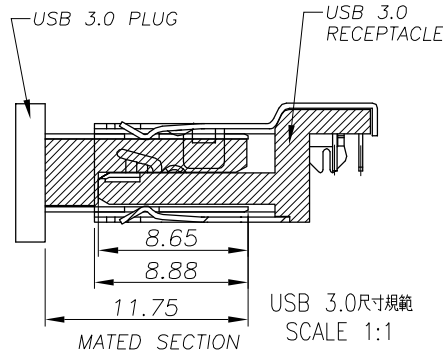
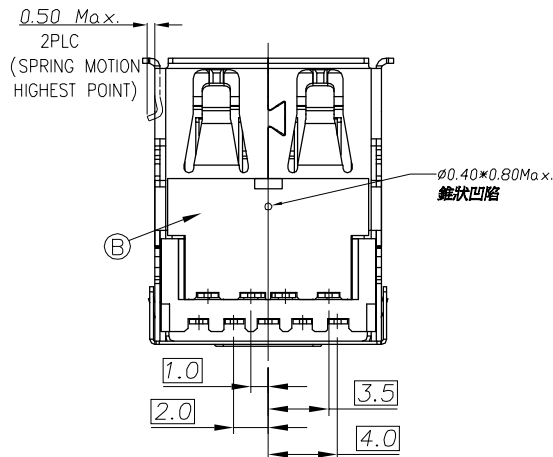
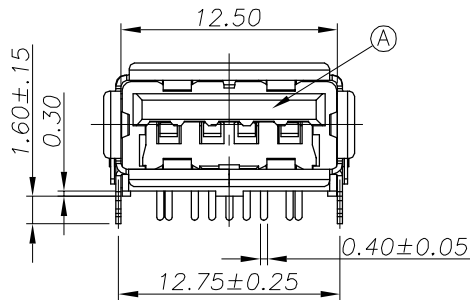
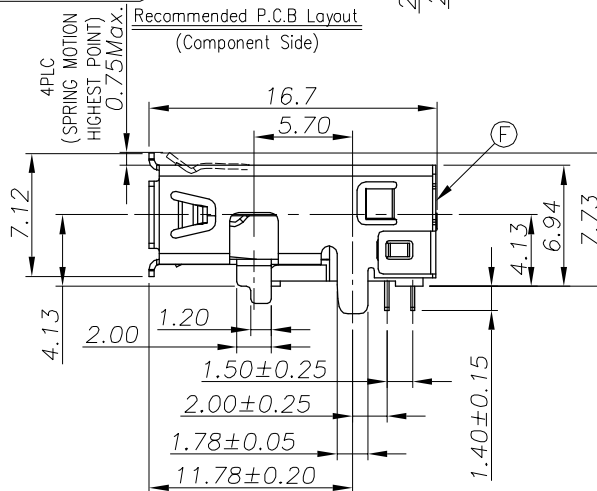
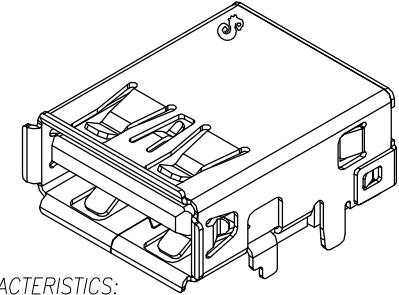


Recommended P.C.B Layout
(Component Side)



REV.	ECN NO OR DESCRIPTION	REVISED	DATE
C	ECN NO : T120004	VICTOR	2012.01.17
D	ECN NO : T120052	GEAR	2012.06.19
E	ECN NO : S160316-C	peng	2016.04.25
F	ECN NO : S170954-R	Song	2017.11.09
G	ECN NO : S202109-C19	chenlong	2021.10.19



SPECIFICATIONS:

1. ELECTRICAL CHARACTERISTICS:

- 1-1. CURRENT RATING: 1.8A (PIN1,4) ; OTHER CONTACTS 0.25A
- 1-2. CONTACT RESISTANCE: 30m Ω MAX.
- 1-3. DIELECTRIC WITHSTANDING VOLTAGE: 100V AC FOR 1 MINUTE
- 1-4. INSULATION RESISTANCE: 100M Ω MIN

2. MECHANICAL CHARACTERISTICS:

- 2-1. INSERTION FORCE : 3.5 Kgf MAX
- 2-2. WITHDRAWAL FORCE : 1.0 Kgf MIN

3. DURABILITY: 5,000 CYCLES.

4. TO CONFORM TO SINGATRON HAZARDOUS SUBSTANCE FREE SPEC.

5. HALOGEN PRODUCT IDENTIFICATION MARK ON JACK: Ⓢ

6. HALOGEN PRODUCT IDENTIFICATION LABEL ON PACKAGING: Ⓢ

7. FOR WAVE SOLDERING LEAD-FREE PROCESS.

8. DATE : YYMMDD

9. PACKAGING : TAPE & REEL.

F	SHELL COVER	1	STAINLESS STEEL	
E	TERMINAL	5	COOPER ALLOY	5 μ GOLD OVER 30 μ Pd PLATED ON MATING AREA, GOLD FLASH PLATED ON SOLDERING AREA, 50 μ NICKEL UNDER PLATING OVERALL
D	TERMINAL	4	COOPER ALLOY	5 μ GOLD OVER 30 μ Pd PLATED ON MATING AREA, GOLD FLASH PLATED ON SOLDERING AREA, 50 μ NICKEL UNDER PLATING OVERALL
C	SHELL	1	STAINLESS STEEL	NICKEL 60 μ Min.
B	BASE	1	THERMOPLASTIC	BLUE (300C)
A	HOUSING	1	THERMOPLASTIC	BLUE (300C)
NO	DESCRIPTION	QTY	MATERIAL	PLATING & COLOR

UNLESS OTHERWISE SPECIFIED TOLERANCES

Singatron Enterprise Co., Ltd.
信音企業股份有限公司

DECIMALS: X : \pm 0.5
X.X : \pm 0.3
X.XX : \pm 0.2

TITLE: USB 3.0 CONNECTOR
DWN: chenlong PART NO. 2UB4012-000101
CHKD: boye SCALE 1:1 UNIT: mm
APVD: liao SIZE: A3 SHEET: 1 OF 1 REV: G

CUSTOMER COPY