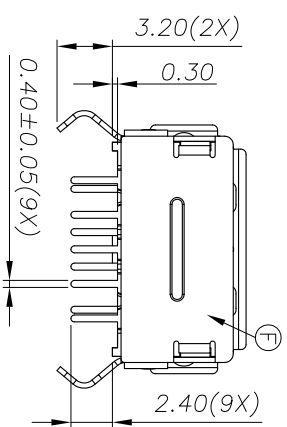
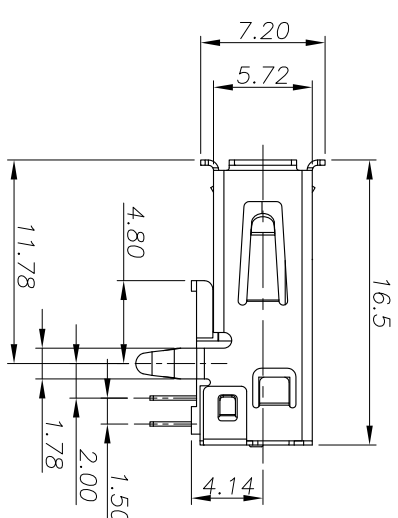
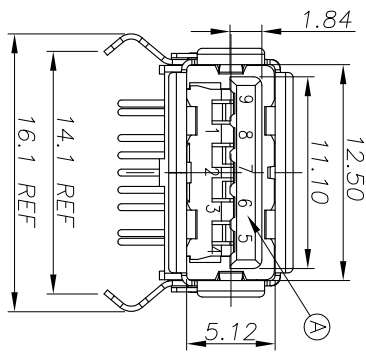
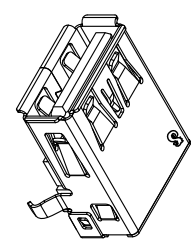
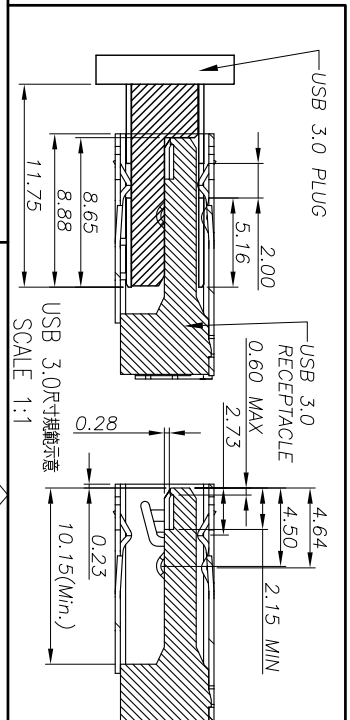
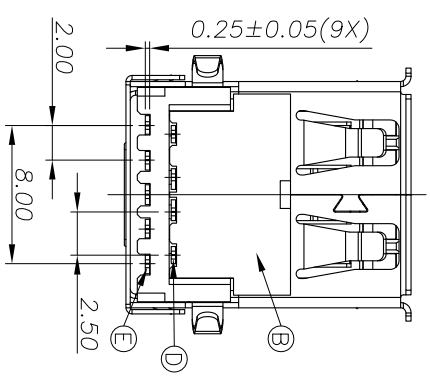


- RECOMMEND P.C.B LAYOUT (TOP-VIEW) TOLERANCE = ±0.05
- CONNECTOR FRONT EDGE
- SPECIFICATIONS:
- ELECTRICAL CHARACTERISTICS:
 - CURRENT RATING: 1.8A (PIN1,4) ; OTHER CONTACTS 0.25A
 - CONTACT RESISTANCE: 50mΩ MAX
 - DIELECTRIC WITHSTANDING VOLTAGE: 100V AC FOR 1 MINUTE
 - INSULATION RESISTANCE: 100MΩ MIN
 - MECHANICAL CHARACTERISTICS:
 - INSERTION FORCE : 3.5 kgf MAX
 - WITHDRAWAL FORCE : 1.0 kgf (INITIAL), 0.8kgf (AFTER TEST)
 - DURABILITY: 5,000 CYCLES
 - TO CONFORM TO SINGATRON HAZARDOUS SUBSTANCE FREE SPEC.
 - HALOGEN FREE IDENTIFICATION MARK ON JACK:
 - FOR IR-REFLOW LEAD-FREE PROCESS.
 - DATE : YYMMDD
 - PACKAGING : TAPE & REEL.



Pin Number	Signal ASSIGNMENT
PIN 1	VBUS
PIN 2	D-
PIN 3	D+
PIN 4	GND
PIN 5	SDA_SSRX-
PIN 6	SDA_SSRX+
PIN 7	GND_DRAIN
PIN 8	SDA_SSTX-
PIN 9	SDA_SSTX+



NO	DESCRIPTION	QTY	MATERIAL	PLATING & COLOR
F	SHELL COVER	1	STAINLESS STEEL	
E	TERMINAL	5	COOPER ALLOY	
D	TERMINAL	4	COOPER ALLOY	
C	SHELL	1	STAINLESS STEEL	NICKEL 60U"MIN
B	BASE	1	PA-9T	BLUE (300C)
A	HOUSING	1	PA-9T	BLUE (300C)
NO	DESCRIPTION	QTY	MATERIAL	PLATING & COLOR

UNLESS OTHERWISE SPECIFIED TOLERANCES

DECIMALS:	ANGLES:
X : ±0.5	X : ±2°
X.X : ±0.4	X.X : ±1°
X.XX : ±0.3	

TITLE: USB 3.0 CONNECTOR

Part No: 2UB4012-200101F

Scale: 1:1

Unit: mm

Sheet: 1 OF 1

Rev: A

Singatron Enterprise Co., Ltd.
信亨企業股份有限公司

CUSTOMER COPY