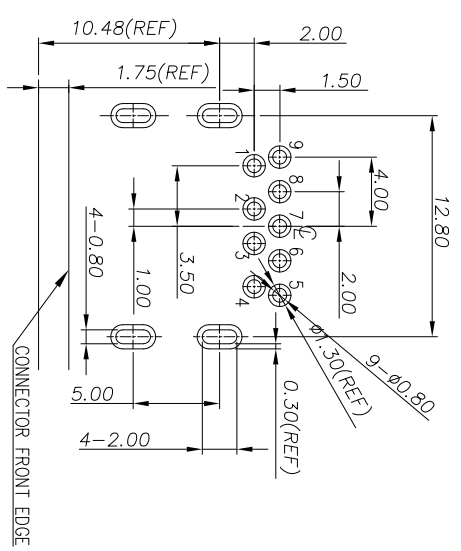
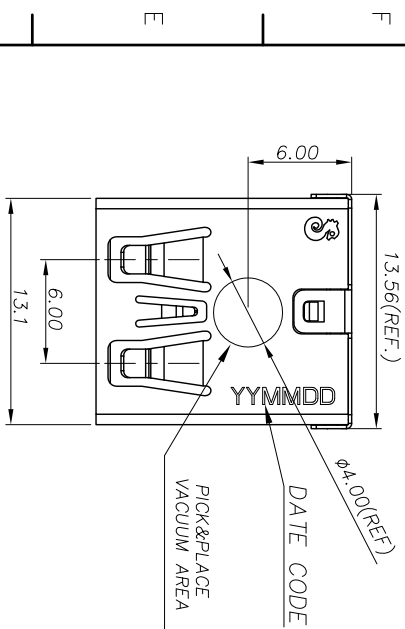
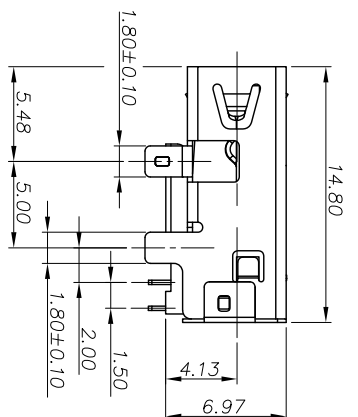
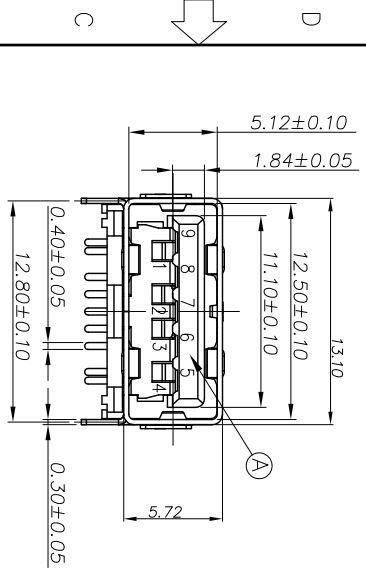


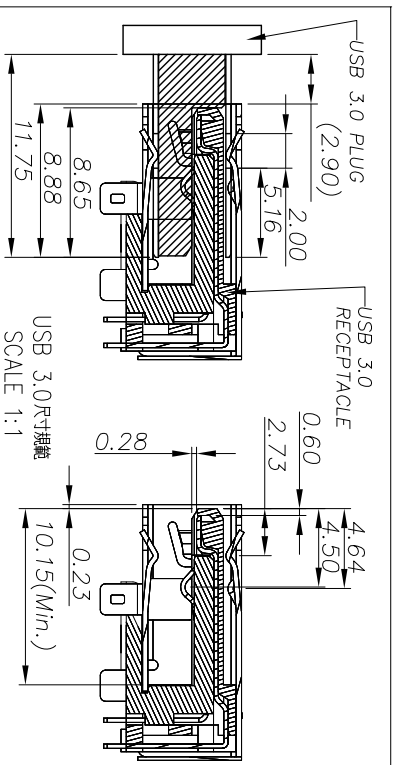
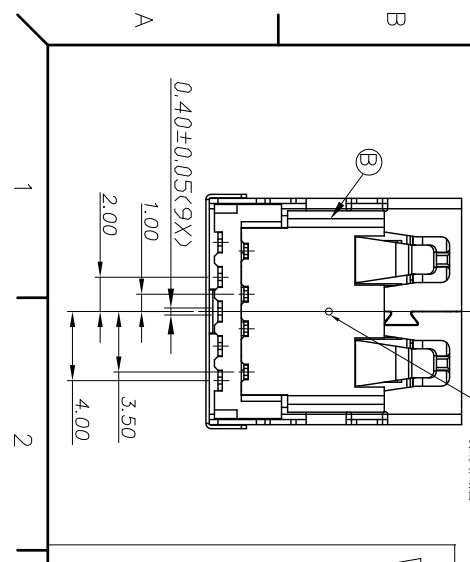
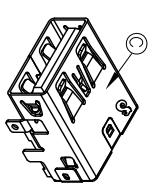
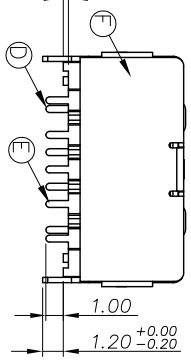
REV	ECN NO	OR DESCRIPTION	REVISED	DATE
B	ECN NO :	T130083	Victor	2014.02.17
C	ECN NO :	T140007	Duke	2014.04.15



Recommended P.C.B Layout (THICKNESS=1.2mm)
(Component Side) TOLERANCE=±0.03 TOP VIEW



Stand off 0.30



F	SHELL COVER	1	STAINLESS STEEL	20/μm±30μ/Pd/Ni PLATED ON MATING BEGAMATE Sn100μ ON SOLDERING 30μNICKEL UNDER PLATING OVERALL
E	TERMINAL	5	BRASS	30μNICKEL UNDER PLATING OVERALL
D	TERMINAL	4	PHOSPHOR BRONZE	20/μm±30μ/Pd/Ni PLATED ON MATING BEGAMATE Sn100μ ON SOLDERING 30μNICKEL UNDER PLATING OVERALL
C	SHELL	1	STAINLESS STEEL	NICKEL 60μ"MIN
B	BASE	1	PA9T-94V0	BLACK
A	HOUSING	1	PA9T-94V0	BLACK
NO	DESCRIPTION		MATERIAL	PLATING & COLOR

UNLESS OTHERWISE SPECIFIED TOLERANCES

Singatron Enterprise Co., Ltd.
信亨企業股份有限公司

DECIMALS: ANGLES: TITLE: USB 3.0 CONNECTOR

DWG Date: PART NO. 2UB4013-000401F

CHKD: SCALE 1:1 UNIT: mm

APVD: ACHENG: SIZE: A3 SHEET: 1 OF 1 REV: C

CUSTOMER COPY

Pin Number	Signal ASSIGNMENT
Pin 1	VBUS
Pin 2	D-
Pin 3	D+
Pin 4	GND
Pin 5	SDA_SSPX-
Pin 6	SDA_SSPX+
Pin 7	GND_DRAIN
Pin 8	SDA_SSTX-
Pin 9	SDA_SSTX+