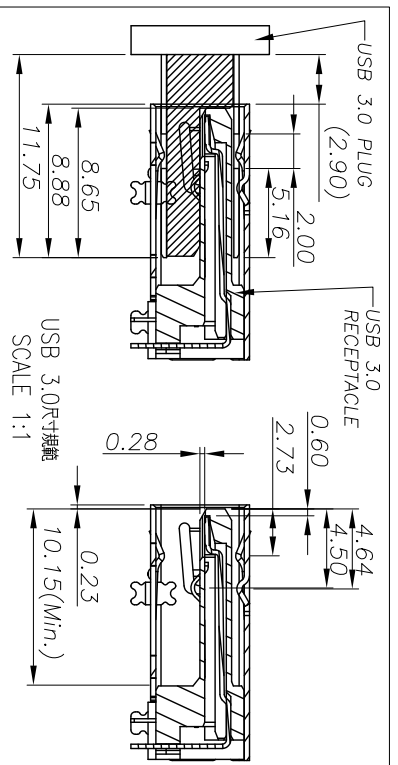
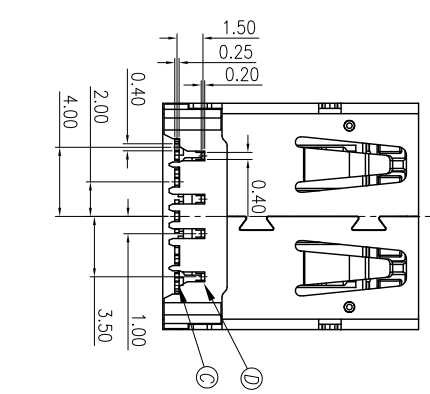
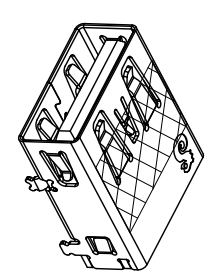
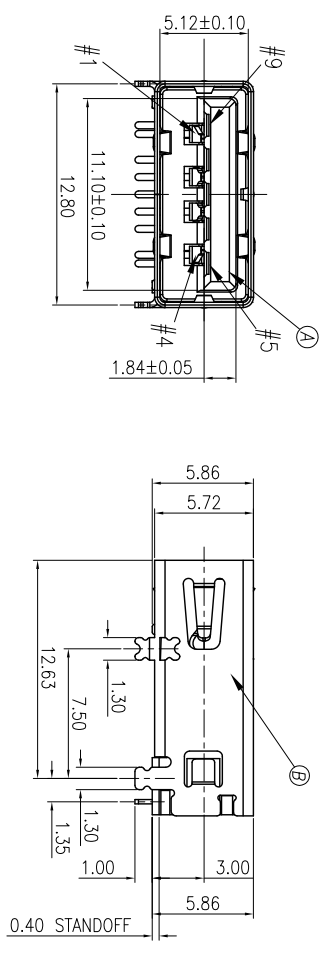


- SPECIFICATIONS:**
- ELECTRICAL CHARACTERISTICS:**
 - 1-1. CURRENT RATING: 1.8A (PIN1,4) ; OTHER CONTACTS 0.25A
 - 1-2. CONTACT RESISTANCE: 30mΩ MAX.
 - 1-3. DIELECTRIC WITHSTANDING VOLTAGE: 100V AC FOR 1 MINUTE
 - 1-4. INSULATION RESISTANCE: 100MΩ MIN
 - MECHANICAL CHARACTERISTICS:**
 - 2-1. INSERTION FORCE : 3.5 Kgf MAX
 - 2-2. WITHDRAWAL FORCE : 1.0-2.5 Kgf(AFTER TEST)
 - DURABILITY:** 5,000 CYCLES.
 - TO CONFORM TO SINGATRON HAZARDOUS SUBSTANCE FREE SPEC.**
 - HALOGEN FREE IDENTIFICATION MARK ON JACK:** ©
 - HALOGEN FREE IDENTIFICATION LABEL ON PACKAGING:**
 - FOR IR REFLOW PROCESS.**
 - DATE :** YMMDD
 - PACKAGING :** TAPE & REEL.



REV.	ECN NO.	OR DESCRIPTION	REVISED	DATE
A		PRODUCT RELEASE	Duke	2013.12.31

Pin Number	Signal ASSIGNMENT	Material
PIN 1	VBUS	YELLOW
PIN 2	D-	YELLOW
PIN 3	D+	YELLOW
PIN 4	GND	YELLOW
PIN 5	StDA_SSRX-	YELLOW
PIN 6	StDA_SSRX+	YELLOW
PIN 7	GND_DRAIN	YELLOW
PIN 8	StDA_SSTX-	YELLOW
PIN 9	StDA_SSTX+	YELLOW

NO	DESCRIPTION	QTY	MATERIAL	PLATING & COLOR
E	MYLAR	1	KAPTON 12.5x9.5	YELLOW
D	4P TERMINAL	4	COPPER ALLOY	SOAD FLASH ON WATING AREA, WHITE 1UM 100UM ON SOLDER AREA, 50UM NICKEL UNDER PLATING OVERALL
C	5P TERMINAL	5	COPPER ALLOY	SOAD FLASH ON WATING AREA, WHITE 1UM 100UM ON SOLDER AREA, 50UM NICKEL UNDER PLATING OVERALL
B	SHELL	1	SUS 0.30t	NICKEL 60UM MIN
A	HOUSING	1	PA-9T+45%GF-94V0	BLACK

UNLESS OTHERWISE SPECIFIED TOLERANCES

Singatron Enterprise Co., Ltd.
信登企業股份有限公司

TITLE USB 3.0 CONNECTOR

DWN Duke PART NO. 2UB4013-600201F
CHKD SCALE 1:1 UNIT: mm
APVD ACHENG 2014.12 SIZE: A3 SHEET: 1 OF 1 REV: A

CUSTOMER COPY