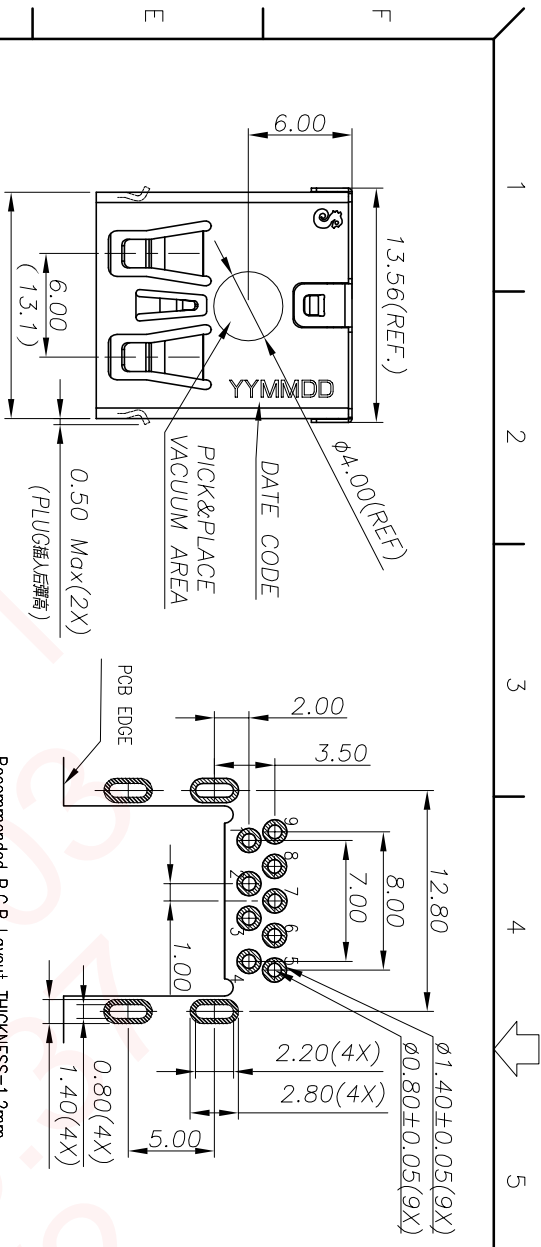
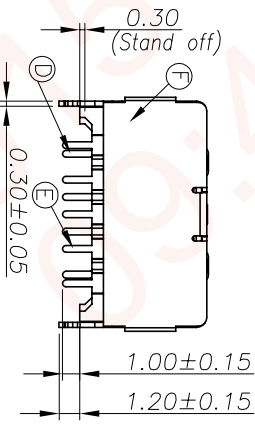
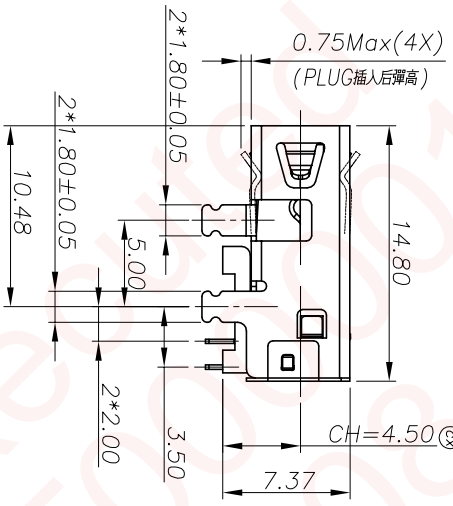
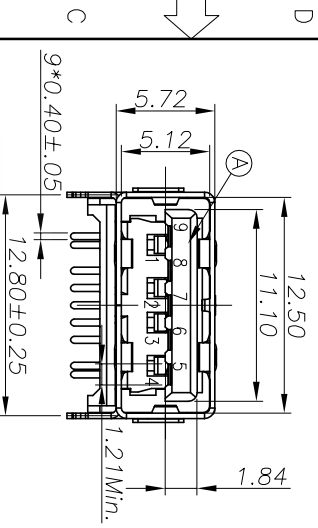


REV/ECN NO OR DESCRIPTION	REVISED	DATE
A PDR NO:1150408-7A	Charles	2015.07.20

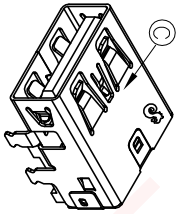
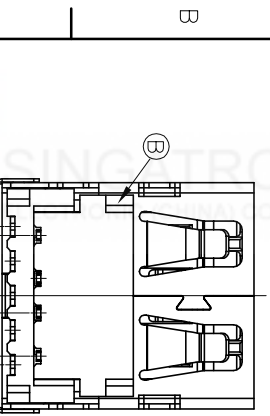


Recommended P.C.B Layout THICKNESS=1.2mm
Component Side TOLERANCE=±0.03 TOP VIEW

- SPECIFICATIONS:
- ELECTRICAL CHARACTERISTICS:
 - CURRENT RATING: 1.8A (PIN1,4) ; OTHER CONTACTS 0.25A
 - CONTACT RESISTANCE: 30mΩ MAX.
 - DIELECTRIC WITHSTANDING VOLTAGE: 100V AC FOR 1 MINUTE
 - INSULATION RESISTANCE: 100MΩ MIN
 - MECHANICAL CHARACTERISTICS:
 - INSERTION FORCE : 3.5 kgf MAX
 - WITHDRAWAL FORCE : 1.0 kgf (INITIAL), 0.8kgf (AFTER TEST)
 - DURABILITY: 5,000 CYCLES.
 - TO CONFORM TO SINGATRON HAZARDOUS SUBSTANCE FREE SPEC.
 - HALOGEN FREE PRODUCT IDENTIFICATION MARK ON JACK: ©
 - HALOGEN FREE PRODUCT IDENTIFICATION LABEL ON PACKAGING:
 - FOR WAVE SOLDERING LEAD-FREE PROCESS.
 - DATE : YYMMDD
 - PACKAGING : TAPE & REEL.



Pin Number	Signal ASSIGNMENT
PIN 1	VBUS
PIN 2	D-
PIN 3	D+
PIN 4	GND
PIN 5	SDA_SSRX-
PIN 6	SDA_SSRX+
PIN 7	GND_DRAIN
PIN 8	SDA_SSTX-
PIN 9	SDA_SSTX+



F	SHELL COVER	1	STAINLESS STEEL				
E	TERMINAL	5	COOPER ALLOY	GOLD FLASH PLATED ON MATING AREA. 60%NICKEL UNDER PLATING OVERALL.			
D	TERMINAL	4	COOPER ALLOY	GOLD FLASH PLATED ON MATING AREA. Meth. Sn 100%Ni,PLATED ON SOLDERING 60%NICKEL UNDER PLATING OVERALL.			
C	SHELL	1	STAINLESS STEEL	Ni60U "Min.			
B	BASE	1	THERMOPLASTIC	BLACK			
A	HOUSING	1	THERMOPLASTIC	BLACK			
NO	DESCRIPTION	QTY	MATERIAL	PLATING & COLOR			

Singatron Enterprise Co., Ltd.
信音企業股份有限公司

DECIMALS:	ANGLES:	TITLE
X :±0.5	X :±2°	USB 3.0 CONNECTOR
XX :±0.3	XX :±1°	DWN Charles
X:XX :±0.2		CHKD James
		APVD Boye

PART NO.2UR4013-720101F
SCALE 1:1
SHEET:1 OF 1
REV:A

CUSTOMER COPY