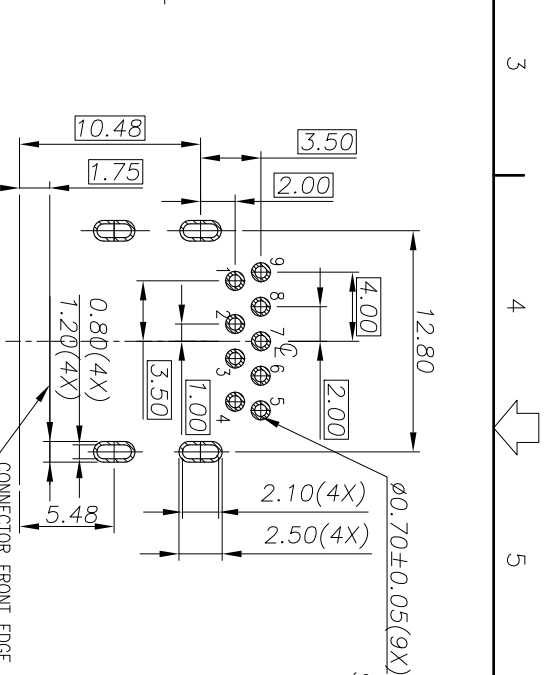
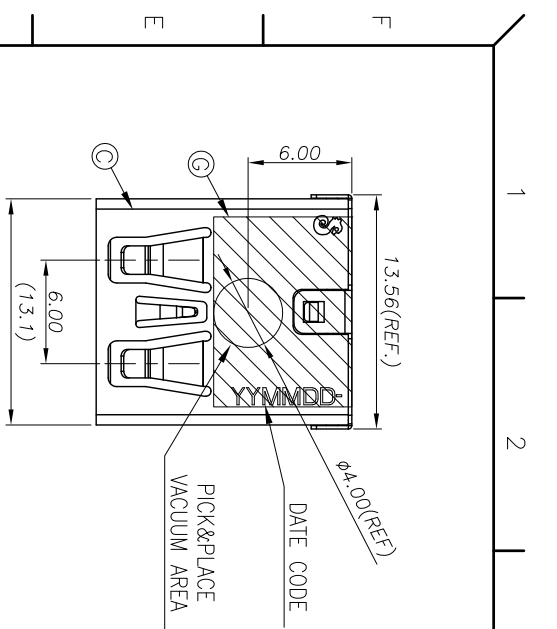
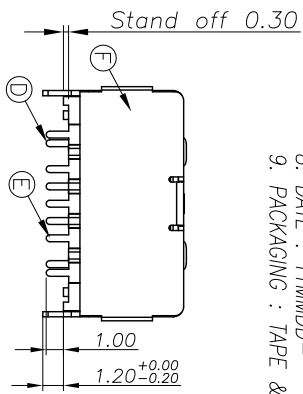
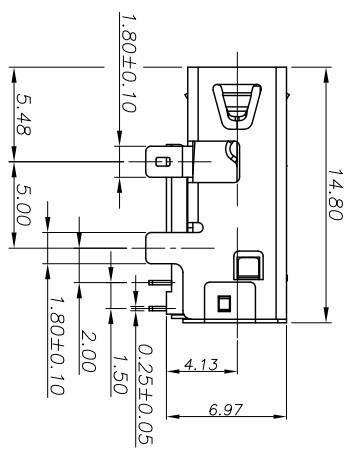
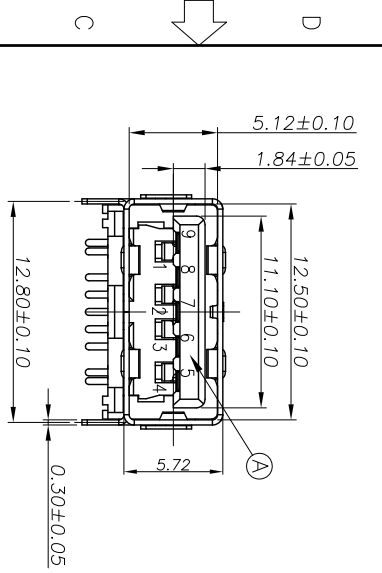


REV	EGN NO	OR DESCRIPTION	REVISED	DATE
A	PDR NO :	T141103-6A	Edi:Zhou	2015.03.26

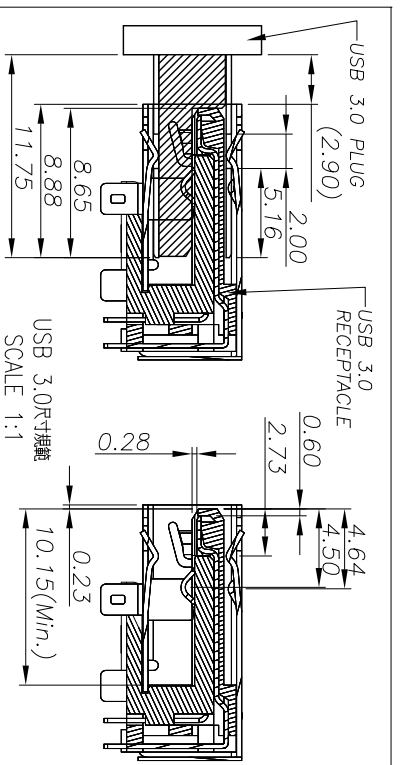
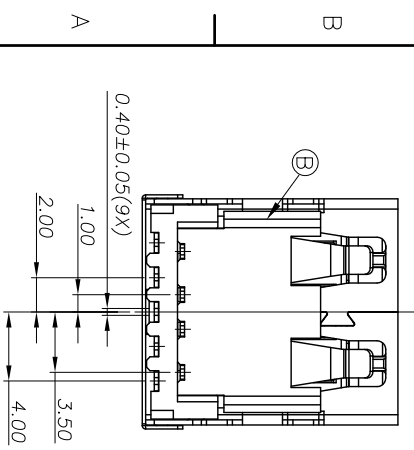


Recommended P.C.B Layout (THICKNESS=1.2mm)  
(Component Side) TOLERANCE=±0.03 TOP VIEW

- SPECIFICATIONS:
- ELECTRICAL CHARACTERISTICS:
    - CURRENT RATING: 1.8A (PIN1,4) ; OTHER CONTACTS 0.25A
    - CONTACT RESISTANCE: 30mΩ MAX.
    - DIELECTRIC WITHSTANDING VOLTAGE: 100V AC FOR 1 MINUTE
    - INSULATION RESISTANCE: 100MΩ MIN
  - MECHANICAL CHARACTERISTICS:
    - INSERTION FORCE : 2.5 Kgf MAX
    - WITHDRAWAL FORCE : 1.0 Kgf~2.5 Kgf (INITIAL)  
0.8 Kgf~2.5 Kgf (AFTER TEST)
  - DURABILITY: 5,000 CYCLES.
  - TO CONFORM TO SINGATRON HAZARDOUS SUBSTANCE FREE SPEC.
  - HALOGEN FREE IDENTIFICATION MARK ON JACK: ©
  - HALOGEN FREE IDENTIFICATION LABEL ON PACKAGING:
  - FOR IR REFLOW PROCESS.
  - DATE : YYMMDD-
  - PACKAGING : TAPE & REEL.



Pin Number	Signal ASSIGNMENT
PIN 1	VBUS
PIN 2	D-
PIN 3	D+
PIN 4	GND
PIN 5	SDA_SSRX-
PIN 6	SDA_SSRX+
PIN 7	GND_DRAIN
PIN 8	SDA_SSTX-
PIN 9	SDA_SSTX+



NO	DESCRIPTION	QTY	MATERIAL	PLATING & COLOR
G	MYLAR	1	8.00*11.00mm	
F	SHELL COVER	1	STAINLESS STEEL	
E	TERMINAL	5	BRASS	
D	TERMINAL	4	PHOSPHOR BRONZE	
C	SHELL	1	STAINLESS STEEL	6/F PLATED ON MATING SOLDERMATE Solder ON SOLDERING SQUIN NICKEL UNDER PLATING OVERALL
B	BASE	1	PA9T-94V0	NICKEL 60uin MIN BLACK
A	HOUSING	1	PA9T-94V0	BLACK

UNLESS OTHERWISE SPECIFIED TOLERANCES

Singatron Enterprise Co., Ltd.  
信音企業股份有限公司

TITLE: USB 3.0 CONNECTOR

DWG: Edi:Zhou PART NO. SUB4013-800201F

CHKD: Boye SCALE 1:1 UNIT: mm

APVD: Boye SIZE: A3 SHEET: 1 OF 1 REV: A

CUSTOMER COPY

文件編號: RP-06-045-4