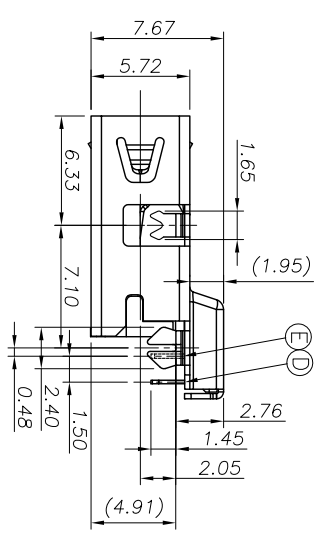
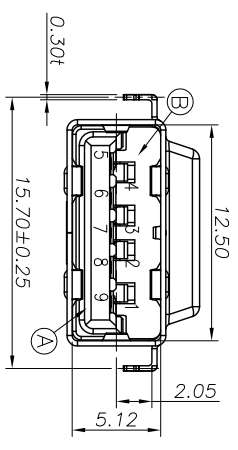
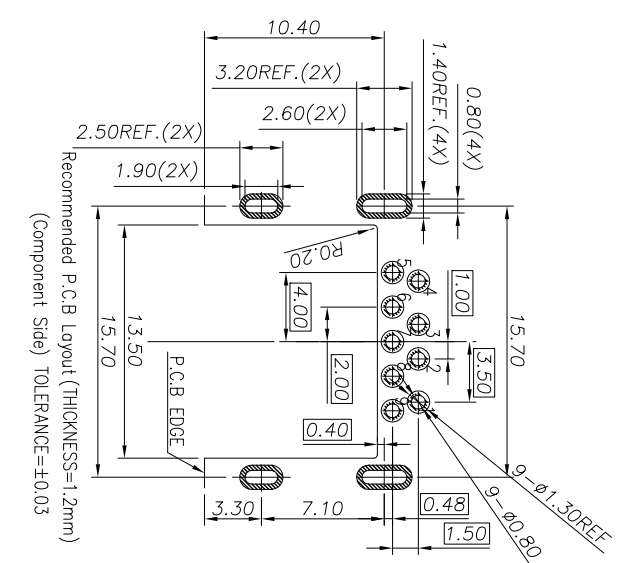
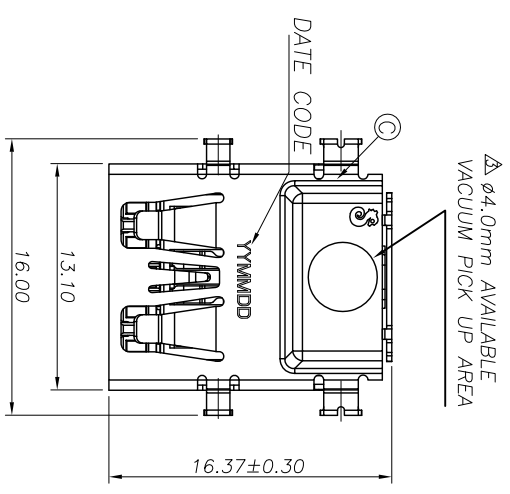
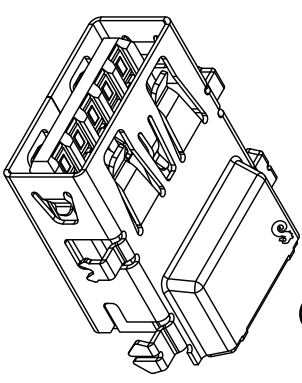


REV.	ECH NO OR DESCRIPTION	REVISED	DATE
A	PDR RELEASE	Acheng	2013.01.14



- SPECIFICATIONS:**
- ELECTRICAL CHARACTERISTICS:**
 - CURRENT RATING, 18A (PIN 4) ; OTHER CONTACTS 0.25A
 - CONTACT RESISTANCE, 30mΩ MAX INITIAL FOR PIN 1-4, 50mΩ MAX INITIAL FOR OTHER PIN.
 - DIELECTRIC WITHSTANDING VOLTAGE: 100V AC FOR 1 MINUTE
 - INSULATION RESISTANCE: 100MΩ MIN .
 - MECHANICAL CHARACTERISTICS:**
 - INSERTION FORCE : 3.5 KGf MAX.
 - WITHDRAWAL FORCE : 3.5KGf MAX.
- INITIAL : 10kgf.
TEST AFTER : 0.80kgf.
DURABILITY, 5,000 CYCLES.
TO CONFORM TO SINGATRON HAZARDOUS SUBSTANCE FREE SPEC.
HALOGEN PRODUCT IDENTIFICATION MARK ON JACK
HALOGEN PRODUCT IDENTIFICATION LABEL ON PACKAGING
FOR IR REFLOW PROCESS.
DATE : YYMMDD-
PACKAGING : TAPE & REEL



Pin Number	Signal ASSIGNMENT	Pin Number	Signal ASSIGNMENT
PIN 1	VBUS	PIN 5	SDA_SSPX-
PIN 2	D-	PIN 6	SDA_SSPX+
PIN 3	D+	PIN 7	GND_DRAIN
PIN 4	GND	PIN 8	SDA_SSTX-
		PIN 9	SDA_SSTX+

	DESCRIPTION	QTY	MATERIAL	PLATING & COLOR
E	TERMINAL	5	COOPER ALLOY	Au20~40/Ni50*, PLATED ON MATING AREA. 80% NICKEL UNDER PLATING OVERALL.
D	TERMINAL	4	COOPER ALLOY	Au20~40/Ni50* PLATED ON MATING AREA. 80% Ni 1000*, PLATED ON SOLDERING 80% NICKEL UNDER PLATING OVERALL
C	SHELL	1	STAINLESS STEEL	NICKEL 60u"MIN
B	BASE	1	HIGH THERMOPLASTIC	BLUE (300C)
A	HOUSING	1	HIGH THERMOPLASTIC	BLUE (300C)

UNLESS OTHERWISE SPECIFIED TOLERANCES

DECIMALS: ANGLES:

X.XX :±0.50 X :±2°
X.X :±0.30 X.X :±1°
X.XX :±0.25

Singatron Enterprise Co., Ltd.
信亨企業股份有限公司

TITLE: USB 3.0 REVERSE CONNECTOR

DRAWN: ACHENG PART NO. 2UB4014-200101F

CHKD: BEN SCALE 1:1 UNIT: mm

APVD: ACHENG 2013.11.14 SIZE: A3 SHEET: 1 OF 1 REV: A

CUSTOMER COPY

