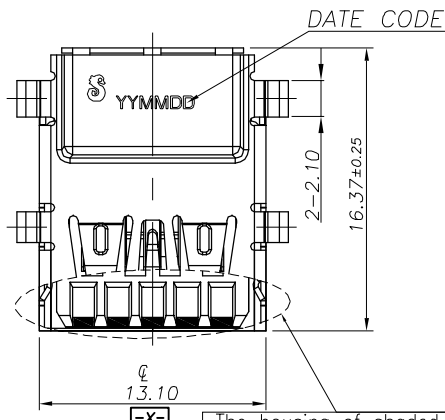
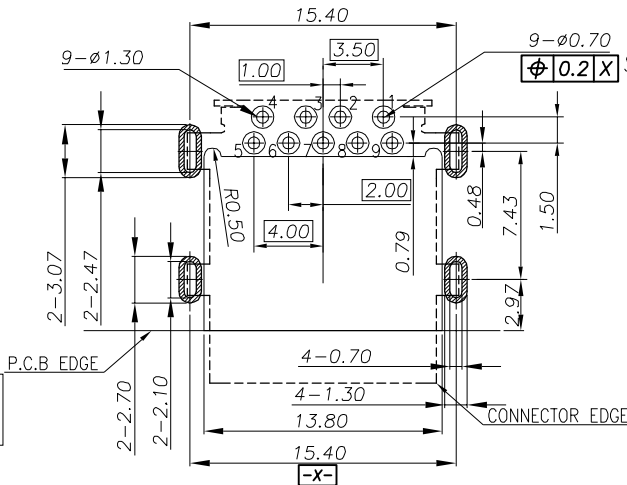


| | | | |
|------|-----------------------|---------|------------|
| REV. | ECN NO OR DESCRIPTION | REVISED | DATE |
| A | PDR NO:T160706-1A | Eileen | 2017.02.10 |
| B | ECN NO:S202211-C12 | haolan | 2023.03.23 |

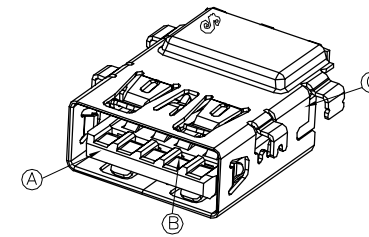
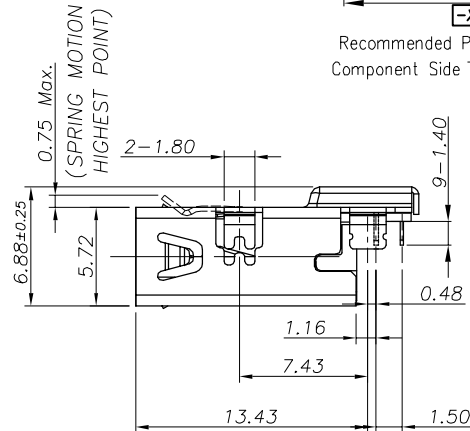
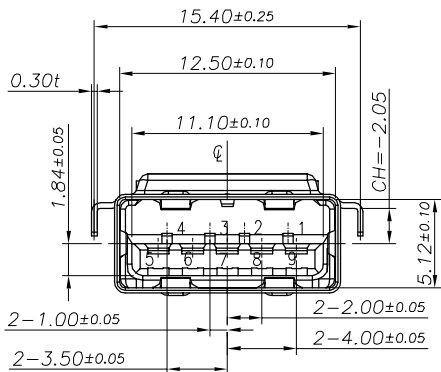


The housing of shaded area should not protrude outside beyond the terminal surface

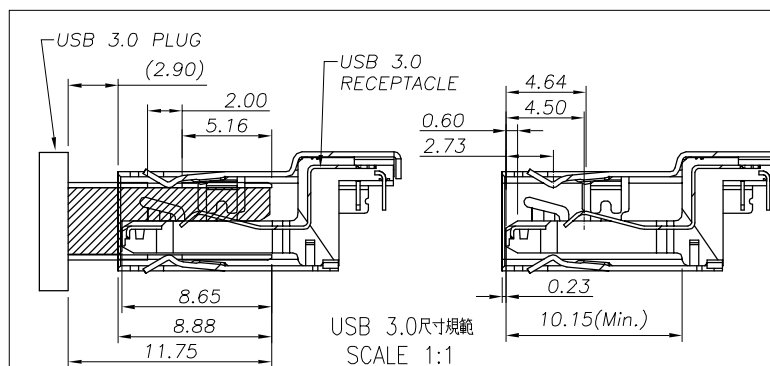
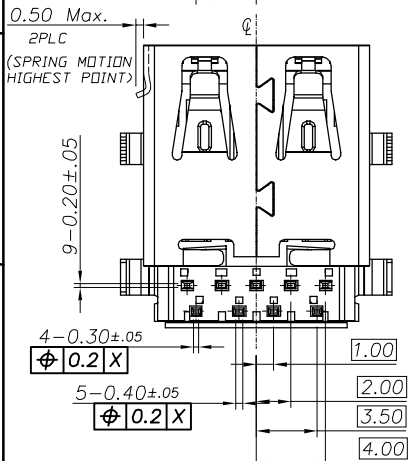


SPECIFICATIONS:

- ELECTRICAL CHARACTERISTICS:
 - CURRENT RATING: 1.8A (PIN1,4) ; OTHER CONTACTS 0.25A
 - CONTACT RESISTANCE: 30mΩ MAX.
 - DIELECTRIC WITHSTANDING VOLTAGE: 100V AC FOR 1 MINUTE
 - INSULATION RESISTANCE: 100MΩ MIN
- MECHANICAL CHARACTERISTICS:
 - INSERTION FORCE : 3.0 Kgf MAX
 - WITHDRAWAL FORCE : 0.7 Kgf~ 3.0 Kgf.
- DURABILITY: 5,000 CYCLES.
- TO CONFORM TO SINGATRON HAZARDOUS SUBSTANCE FREE SPEC.
- HALOGEN FREE IDENTIFICATION MARK ON JACK: Ⓢ
- HALOGEN FREE IDENTIFICATION LABEL ON PACKAGING:
- FOR IR RE-FLOW PROCESS.
- DATE : YYMMDD
- PACKAGING : TAPE & REEL.



| Pin Number | Signal ASSIGNMENT |
|------------|-------------------|
| PIN 1 | VBUS |
| PIN 2 | D- |
| PIN 3 | D+ |
| PIN 4 | GND |
| PIN 5 | StdA_SSRX- |
| PIN 6 | StdA_SSRX+ |
| PIN 7 | GND_DRAIN |
| PIN 8 | StdA_SSTX- |
| PIN 9 | StdA_SSTX+ |



| | | | | |
|---------------------------------------|----------|--|-----------------|---|
| C | SHELL | 1 | STAINLESS STEEL | BLACK NICKEL 60u"MIN |
| B | TERMINAL | 9 | COPPER ALLOY | 30uIN ON MATING AREA, MATTE Sn 40-80uIN ON SOLDERING AREA, 80uIN NICKEL UNDER PLATING OVERALL |
| A | HOUSING | 1 | THERMOPLASTIC | BLACK |
| NO DESCRIPTION | | QTY | MATERIAL | PLATING & COLOR |
| UNLESS OTHERWISE SPECIFIED TOLERANCES | | Singatron Enterprise Co., Ltd. 信音企業股份有限公司 | | |
| DECIMALS: ANGLES: | | TITLE | | |
| X :±0.5 X :±2° | | USB 3.0 REVERSE CONNECTOR | | |
| X.X :±0.4 X.X :±1° | | DWN | HAOLAN | PART NO.2UB4014-301101F |
| X.XX :±0.3 | | CHKD | ALLEN | SCALE 1:1 UNIT: mm |
| | | APVD | Boye | SIZE: A3 SHEET:1 OF 1 REV:B |
| CUSTOMER COPY | | | | |