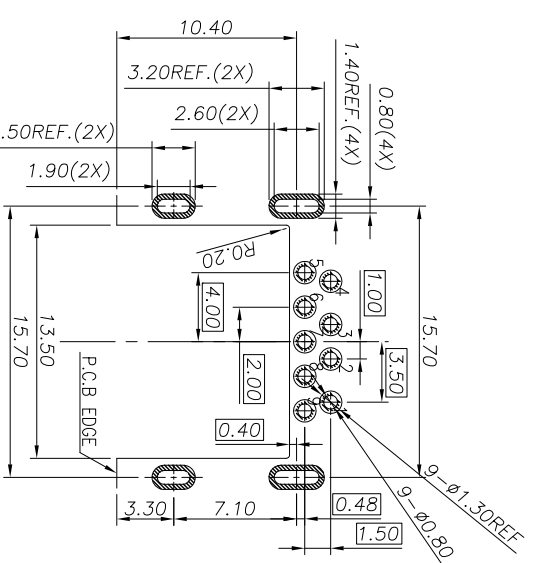
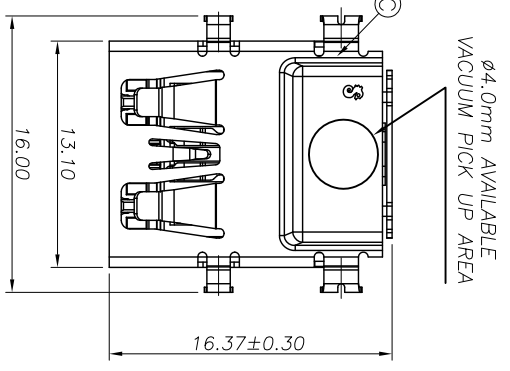
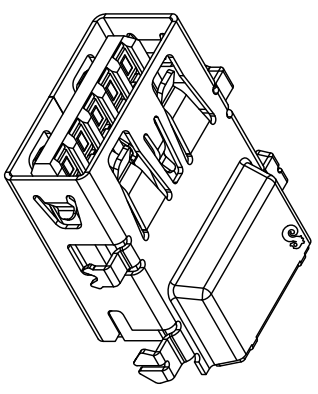
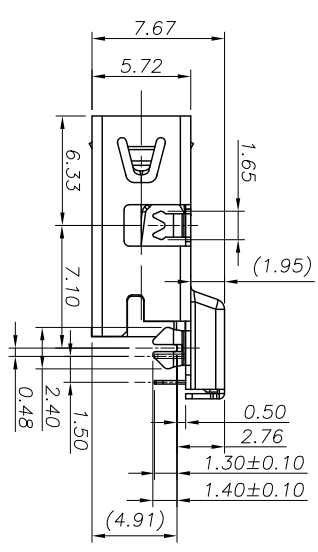
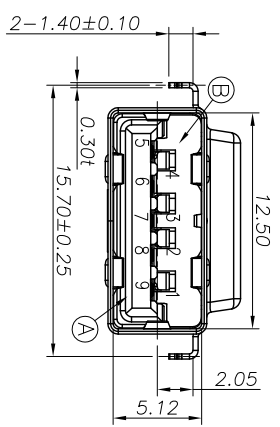


| REV. | EON NO OR DESCRIPTION | REVISED | DATE       |
|------|-----------------------|---------|------------|
| A    | PRODUCT RELEASE       | Duke    | 2014.02.13 |

- SPECIFICATIONS:**
- 1. ELECTRICAL CHARACTERISTICS:**
- 1-1. CURRENT RATING: 1.8A (PIN1,4) ; OTHER CONTACTS 0.25A
  - 1-2. CONTACT RESISTANCE: 30mΩ MAX.
  - 1-3. DIELECTRIC WITHSTANDING VOLTAGE: 100V AC FOR 1 MINUTE
  - 1-4. INSULATION RESISTANCE: 100MΩ MIN
- 2. MECHANICAL CHARACTERISTICS:**
- 2-1. INSERTION FORCE : 3.5 kgf MAX
  - 2-2. WITHDRAWAL FORCE : 1.0 kgf(INITIAL),0.8kgf(AFTER TEST)
- 3. DURABILITY: 5,000 CYCLES.
  - 4. TO CONFORM TO SINGATRON HAZARDOUS SUBSTANCE FREE SPEC.
  - 5. HALOGEN FREE IDENTIFICATION MARK ON JACK Ⓞ
  - 6. HALOGEN FREE IDENTIFICATION LABEL ON PACKAGING: Ⓞ
  - 7. FOR IR RE-FLOW PROCESS.
  - 8. DATE : YYMMDD
  - 9. PACKAGING : TAPE & REEL.



Recommended P.C.B Layout (THICKNESS=1.2mm)  
(Component Side) TOLERANCE=±0.03 TOP VIEW

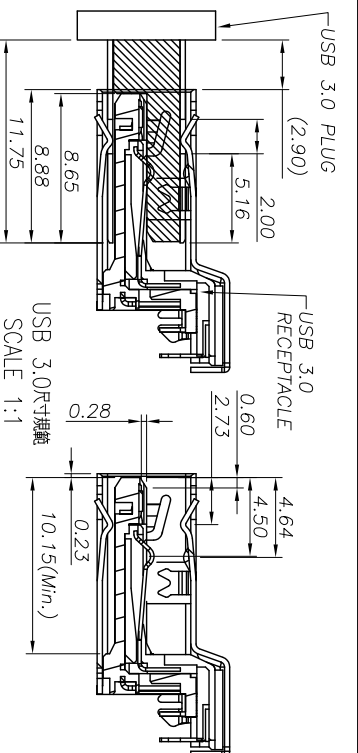
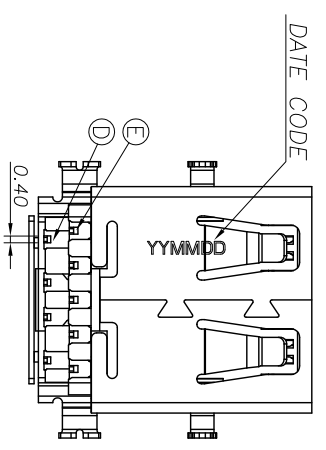


| Pin | Signal NAME |
|-----|-------------|
| 1   | VBUS        |
| 2   | D-          |
| 3   | D+          |
| 4   | GND         |
| 5   | SIDA_SSRX-  |
| 6   | SIDA_SSRX+  |
| 7   | GND_DRAIN   |
| 8   | SIDA_SSTX-  |
| 9   | SIDA_SSTX+  |

| NO | DESCRIPTION | QTY | MATERIAL        | PLATING & COLOR  |
|----|-------------|-----|-----------------|--|
| E  | TERMINAL    | 5   | COOPER ALLOY    | Au20~40/N50U* PLATED ON WATING AREA,<br>80% NICKEL UNDER PLATING OVERALL |
| D  | TERMINAL    | 4   | COOPER ALLOY    | Au20~40/N50U* PLATED ON WATING AREA,<br>80% NICKEL UNDER PLATING OVERALL |
| C  | SHELL       | 1   | STAINLESS STEEL | NICKEL 60U"MIN   |
| B  | BASE        | 1   | PA9T            | BLACK  |
| A  | HOUSING     | 1   | PA9T            | BLACK  |

UNLESS OTHERWISE SPECIED TOLERANCES

Singatron Enterprise Co., Ltd.  
信亨企業股份有限公司



| TITLE | USB 3.0 REVERSE CONNECTOR |
|-------|---------------------------|
| DWM   | Duke                      |
| CHKD  | APVD                      |
| APVD  | APVD                      |

Part No. 2UB4014-400101F  
SCALE 1:1  
UNIT: mm  
SHEET: 1 OF 1  
REV: A

CUSTOMER COPY

