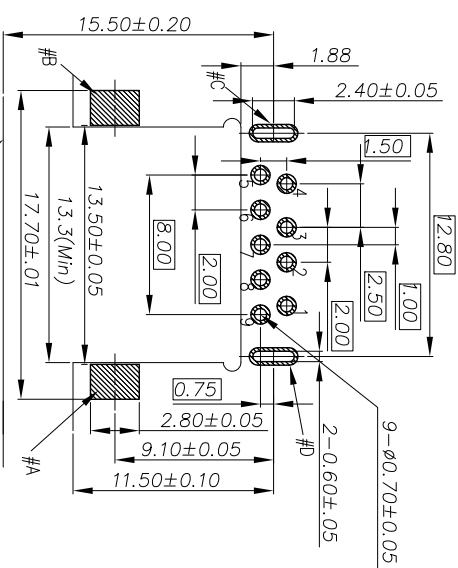
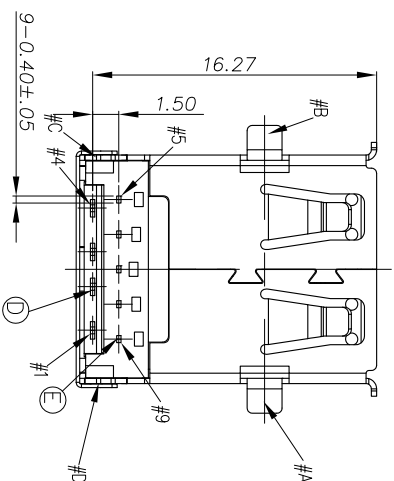


DATE CODE
ø5.0mm AVAILABLE
VACUUM PICK UP AREA

SPECIFICATIONS:

1. ELECTRICAL CHARACTERISTICS:
 - 1-1. CURRENT RATING: 1.8A (PIN1,4) ; OTHER CONTACTS 0.25A
 - 1-2. CONTACT RESISTANCE: 30mΩ MAX.
 - 1-3. DIELECTRIC WITHSTANDING VOLTAGE: 100V AC FOR 1 MINUTE
 - 1-4. INSULATION RESISTANCE: 100MΩ MIN
2. MECHANICAL CHARACTERISTICS:
 - 2-1. INSERTION FORCE : 3.5 Kgf MAX
 - 2-2. WITHDRAWAL FORCE : 1.0 Kgf MIN
3. DURABILITY: 5,000 CYCLES.
4. TO CONFORM TO SINGATRON HAZARDOUS SUBSTANCE FREE SPEC.
5. HALOGEN FREE PRODUCT IDENTIFICATION MARK ON JACK
6. HALOGEN FREE PRODUCT IDENTIFICATION LABEL ON PACKAGING.
7. FOR WAVE SOLDERING LEAD-FREE PROCESS.
8. DATE : YM/M/DD
9. PACKAGING : TAPE & REEL.

REV.	ECN NO.	OR DESCRIPTION	REVISED	DATE
B	ECN NO. : T120004		VICTOR	2012.01.17
C	ECN NO. : S130121		SEAN	2013.05.13
D	ECN NO. : S121223		ANGUS	2013.06.10



CONNECTOR FRONT EDGE
Recommended P.C.B Layout

NO	DESCRIPTION	QTY	MATERIAL	PLATING & COLOR
F	REAR SHELL	1	STAINLESS STEEL	
E	TERMINAL	5	COPPER ALLOY	50GOLD OVER 300Pd PLATED ON MAINING REAGOLD FLASH PLATED ON SOLDERING 500 NICKEL UNDER PLATING OVERALL
D	TERMINAL	4	PHOSPHOR BRONZE	50GOLD OVER 300Pd PLATED ON MAINING REAGOLD FLASH PLATED ON SOLDERING 500 NICKEL UNDER PLATING OVERALL
C	SHELL	1	STAINLESS STEEL	NICKEL 60u"MIN
B	BASE	1	THERMOPLASTIC	BLUE (300C)
A	COVER	1	THERMOPLASTIC	BLUE (300C)
NO	DESCRIPTION	QTY	MATERIAL	PLATING & COLOR

UNLESS OTHERWISE SPECIFIED TOLERANCES

DECIMALS: ANGLES:

X : ±0.5 X : ±2°
X.X : ±0.3 X.X : ±1°
X.XX : ±0.2

TITLE: USB 3.0 REVERSE CONNECTOR

DWN: ANGUS PART NO. 2UB34016-000101

CHKD: CERRY SCALE 1:1 UNIT: mm

APVD: MAX SIZE: A3 SHEET: 1 OF 1 REV: D

CUSTOMER COPY

Singatron Enterprise Co., Ltd.
信音企業股份有限公司