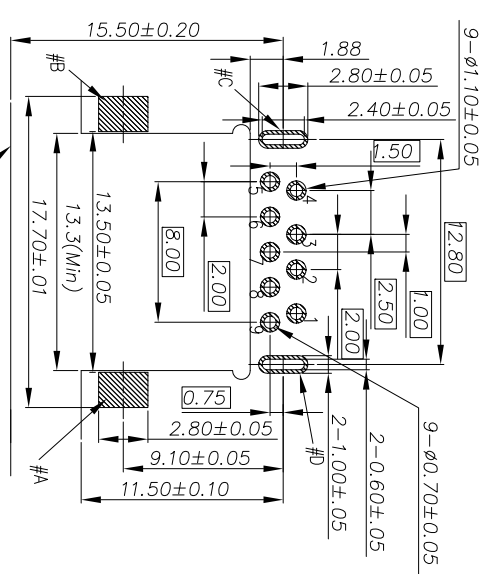
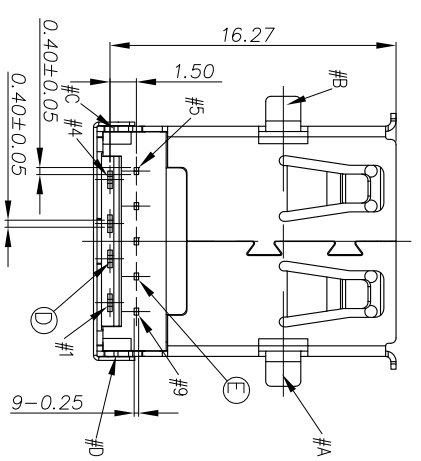
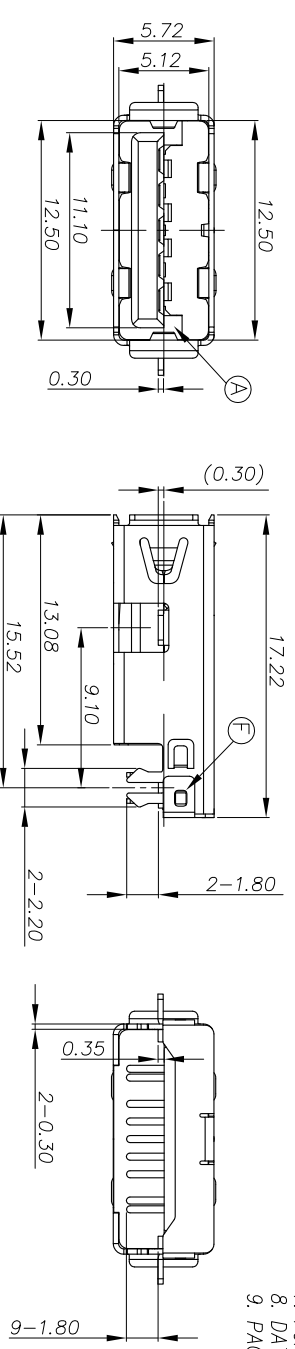
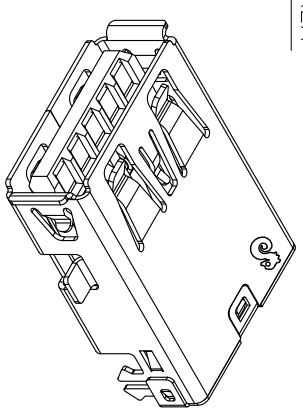
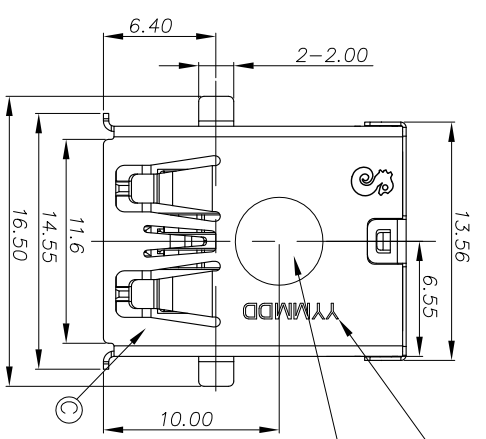


REV.	ECN NO OR DESCRIPTION	REVISED	DATE
A	PRODUCT RELEASE	GEAR	2012.04.27
B	ECN NO: S130121	SEAN	2013.05.13
C	ECN NO: S121223	ANGUS	2013.06.10

DATE CODE
 VACUUM PICK UP AREA
 ø5.0mm AVAILABLE



CONNECTOR FRONT EDGE
 Recommended P.C.B Layout

- SPECIFICATIONS:
1. ELECTRICAL CHARACTERISTICS:
- 1-1. CURRENT RATING: 1.8A (PIN 4) ; OTHER CONTACTS 0.25A
 - 1-2. CONTACT RESISTANCE: 30mΩ MAX.
 - 1-3. DIELECTRIC WITHSTANDING VOLTAGE: 100V AC FOR 1 MINUTE
 - 1-4. INSULATION RESISTANCE: 100MΩ MIN
2. MECHANICAL CHARACTERISTICS:
- 2-1. INSERTION FORCE : 3.5 Kgf MAX
 - 2-2. WITHDRAWAL FORCE : 1.0 Kg((INITIAL)), 0.8 Kg((AFTER TEST))
- 3. DURABILITY: 5,000 CYCLES.
 - 4. TO CONFORM TO SINGATRON HAZARDOUS SUBSTANCE FREE SPEC.
 - 5. HALOGEN FREE PRODUCT IDENTIFICATION MARK ON JACK: (C)
 - 6. HALOGEN FREE PRODUCT IDENTIFICATION LABEL ON PACKAGING: (E)
 - 7. FOR IR RE-FLOW LEAD-FREE PROCESS.
 - 8. DATE : YMMDD
 - 9. PACKAGING : TAPE & REEL.



NO	DESCRIPTION	QTY	MATERIAL	PLATING & COLOR
F	REAR SHELL	1	STAINLESS STEEL 0.2T	BLACK NICKEL 50U"MIN
E	TERMINAL	5	COPPER ALLOY 0.25T	GOLD FLASH PLATED ON MATING AREA, MAT. SN 100U"MIN PLATED ON SOLDERING 60U" NICKEL UNDER PLATING OVERALL
D	TERMINAL	4	PHOSPHOR BRONZE 0.25T	GOLD FLASH PLATED ON MATING AREA, MAT. SN 100U"MIN PLATED ON SOLDERING 60U" NICKEL UNDER PLATING OVERALL
C	SHELL	1	STAINLESS STEEL 0.3T	BLACK NICKEL 50U"MIN
B	BASE	1	THERMOPLASTIC	BLACK
A	HOUSING	1	THERMOPLASTIC	BLACK

UNLESS OTHERWISE SPECIFIED TOLERANCES

Singatron Enterprise Co., Ltd.
 信亨企業股份有限公司

DECIMALS:	ANGLES:	TITLE
X : ±0.5	X : ±2°	USB 3.0 REVERSE CONNECTOR
X.X : ±0.3	X.X : ±1°	DWN ANGUS PART NO. 2UB4016-160101F
X.XX : ±0.2		CHKD CERRY SCALE 1:1 UNIT: mm
		APVD MAX SIZE: A3 SHEET: 1 OF 1 REV: C

CUSTOMER COPY