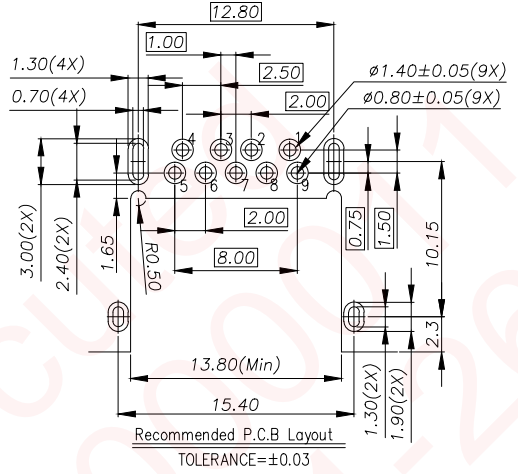
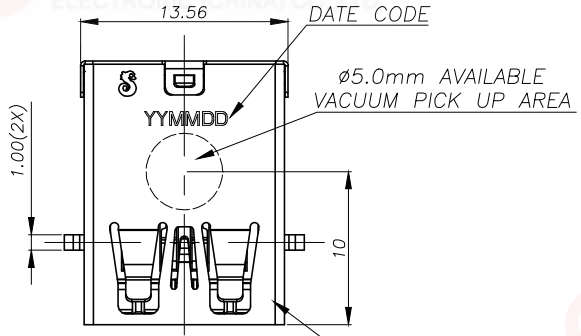
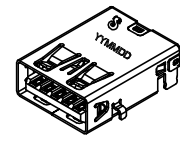
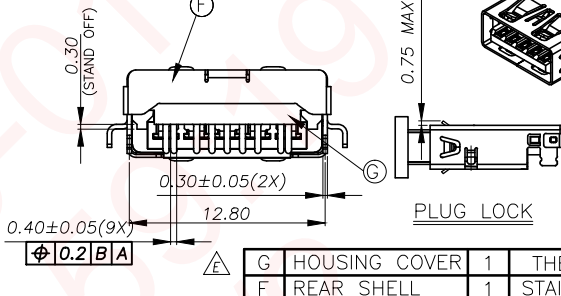
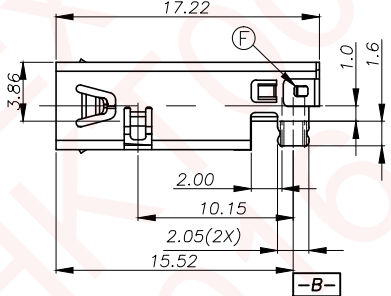
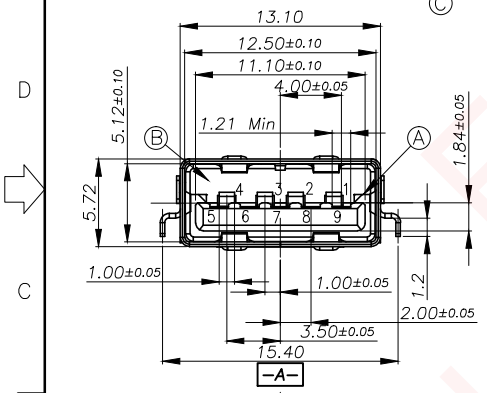


REV.	ECN NO OR DESCRIPTION	REVISED	DATE
C	ECN NO :S140426	YUREN	2014.05.30
D	ECN NO : S140706	SEAN	2014.08.15
E	ECN NO :S151044-E	PENG	2016.01.05

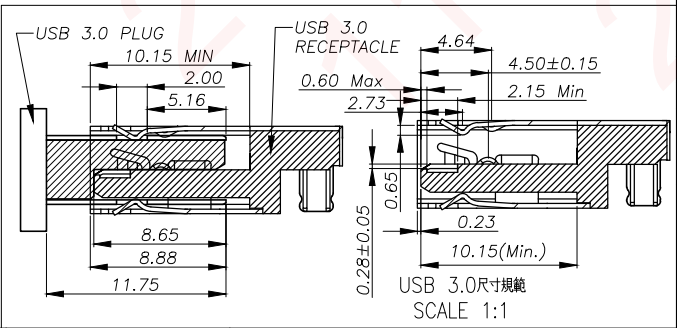
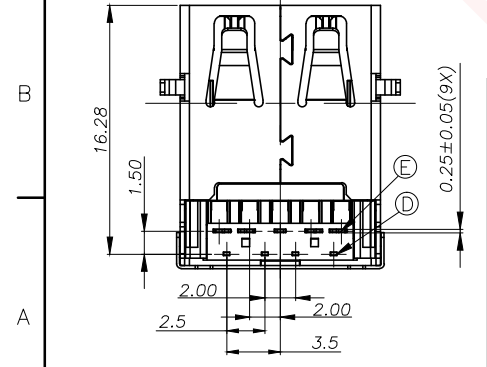


- SPECIFICATIONS:
- ELECTRICAL CHARACTERISTICS:
 - 1-1. CURRENT RATING: 1.8A (PIN1,4) ; OTHER CONTACTS 0.25A
 - 1-2. CONTACT RESISTANCE: 30mΩ MAX.
 - 1-3. DIELECTRIC WITHSTANDING VOLTAGE: 100V AC FOR 1 MINUTE
 - 1-4. INSULATION RESISTANCE: 100M Ω
 - MECHANICAL CHARACTERISTICS:
 - 2-1. INSERTION FORCE : 35N MAX
 - 2-2. WITHDRAWAL FORCE : 10N~25N(INITIAL),8N~25N(AFTER TEST)
 - DURABILITY: 5,000 CYCLES.
 - OTHER GENERAL SPEC TO REFER "2UB4016-170102F SPEC"
 - TO CONFORM TO SINGATRON HAZARDOUS SUBSTANCE FREE SPEC.
 - HALOGEN FREE IDENTIFICATION MARK ON JACK: Ⓢ
 - HALOGEN FREE IDENTIFICATION LABEL ON PACKAGING:
 - FOR REFLOW SOLDERING LEAD-FREE PROCESS.
 - DATE : YYMMDD
 - PACKAGING : TAPE & REEL.

Pin Number	Signal ASSIGNMENT
PIN 1	VBUS
PIN 2	D-
PIN 3	D+
PIN 4	GND
PIN 5	StdA_SSRX-
PIN 6	StdA_SSRX+
PIN 7	GND_DRAIN
PIN 8	StdA_SSTX-
PIN 9	StdA_SSTX+



PLUG LOCK



NO	DESCRIPTION	QTY	MATERIAL	PLATING & COLOR
G	HOUSING COVER	1	THERMOPLASTIC	BLACK
F	REAR SHELL	1	STAINLESS STEEL	
E	TERMINAL	5	COPPER ALLOY	2u" GOLD OVER 30u" Pd/Ni PLATED ON MATING AREA; 120u" MATTE TIN PLATED ON SOLDERING 80u" NICKEL UNDER PLATING OVERALL
D	TERMINAL	4	PHOSPHOR BRONZE	2u" GOLD OVER 30u" Pd/Ni PLATED ON MATING AREA; 120u" MATTE TIN PLATED ON SOLDERING 80u" NICKEL UNDER PLATING OVERALL
C	SHELL	1	STAINLESS STEEL	NICKEL 60u" MIN
B	BASE	1	THERMOPLASTIC(PA9T)	BLUE (300C)
A	HOUSING	1	THERMOPLASTIC(PA9T)	BLUE (300C)

UNLESS OTHERWISE SPECIFIED TOLERANCES		Singatron Enterprise Co., Ltd. 信音企業股份有限公司			
DECIMALS:	ANGLES:	TITLE USB 3.0 REVERSE CONNECTOR			
X : ±0.5	X : ±2°	DWN	peng	PART NO. 2UB4016-170102F	
X.X : ±0.4	X.X : ±1°	CHKD	james	SCALE 1:1	UNIT: mm
X.XX : ±0.3		APVD	boye	SIZE: A3	SHEET: 1 OF 1
REV: E					
CUSTOMER COPY					