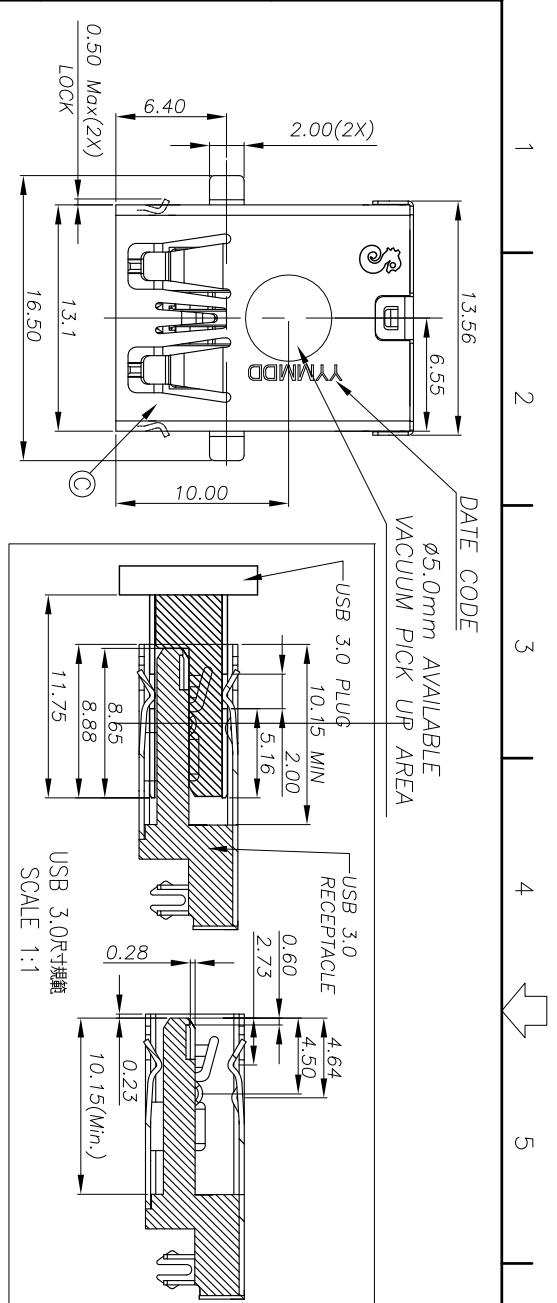
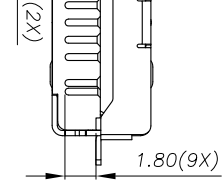
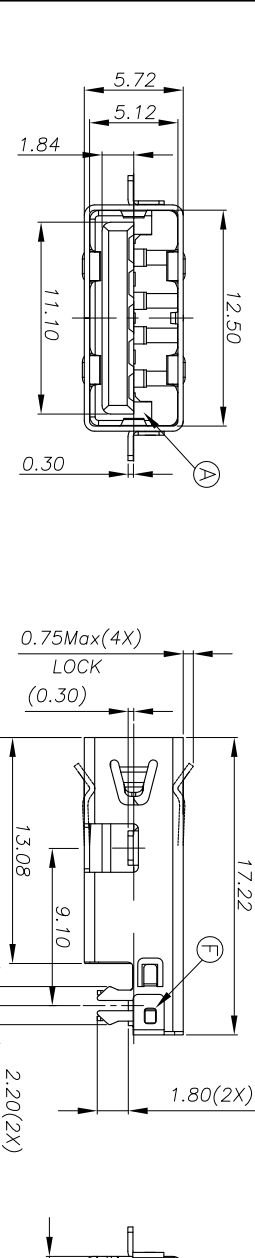


REV. A	ECN NO. OR DESCRIPTION	REVISED	DATE
2UB4016-220101F	PRODUCT RELEASE 合併圖面	Victor	2013.08.01



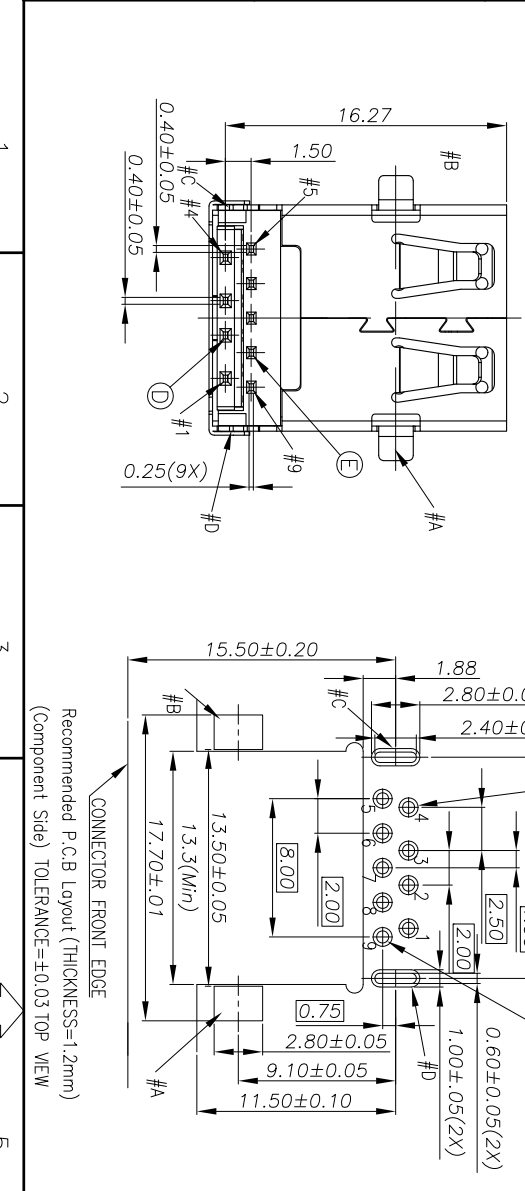
- SPECIFICATIONS:
1. ELECTRICAL CHARACTERISTICS:
- 1-1. CURRENT RATING: 1.8A (PIN1,4) ; OTHER CONTACTS 0.25A
 - 1-2. CONTACT RESISTANCE: 50mΩ MAX.
 - 1-3. DIELECTRIC WITHSTANDING VOLTAGE: 500V AC FOR 1 MINUTE
 - 1-4. INSULATION RESISTANCE: 100MΩ MIN
2. MECHANICAL CHARACTERISTICS:
- 2-1. INSERTION FORCE : 3.5 kgf MAX
 - 2-2. WITHDRAWAL FORCE : 1.0 kgf(INITIAL),0.8 kgf(AFTER TEST)
3. DURABILITY: 5,000 CYCLES.
4. TO CONFORM TO SINGATRON HAZARDOUS SUBSTANCE FREE SPEC.
5. HALOGEN FREE IDENTIFICATION MARK ON JACK: (S)
6. HALOGEN FREE IDENTIFICATION LABEL ON PACKAGING: (S)
7. FOR IR RE-FLOW LEAD-FREE PROCESS.
8. DATE : YMMDD
9. PACKAGING : TAPE & REEL.



"TABLE"

2UB4016-220201F	GOLD FLASH PLATED ON MATING AREA. Mat: 5μ 100μMIN PLATED ON SOLDERING	Ni60u Min. (N4)
2UB4016-220101F	50% ^{Min} BATED ON MATING AREA. Mat: 5μ 100μMIN PLATED ON SOLDERING 50% NICKEL UNDER PLATING OVERALL	BLACK NICKEL 50u ^{MIN}

Pin Number	Signal ASSIGNMENT
PIN 1	VBUS
PIN 2	D-
PIN 3	D+
PIN 4	GND
PIN 5	SDA_SSRX+
PIN 6	SDA_SSRX+
PIN 7	GND_DRAIN
PIN 8	SDA_SSTX-
PIN 9	SDA_SSTX+



Recommended P.C.B Layout (THICKNESS=1.2mm)
(Component Side) TOLERANCE=±0.03 TOP VIEW

PART NUMBER	TERMINAL PLATING	REAR SHELL PLATING
F REAR SHELL	1 STAINLESS STEEL	SEE "TABLE"
E TERMINAL	5 COPPER ALLOY	SEE "TABLE"
D TERMINAL	4 COPPER ALLOY	SEE "TABLE"
C SHELL	1 STAINLESS STEEL	BLACK NICKEL 60u ^{MIN}
B BASE	1 THERMOPLASTIC	BLACK
A HOUSING	1 THERMOPLASTIC	BLACK
NO DESCRIPTION	MATERIAL	PLATING & COLOR

DECIMALS:	ANGLES:
X :±0.5	X :±2°
X.X :±0.4	X.X :±1°
X.XX :±0.3	

CONNECTOR FRONT EDGE