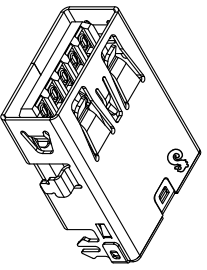
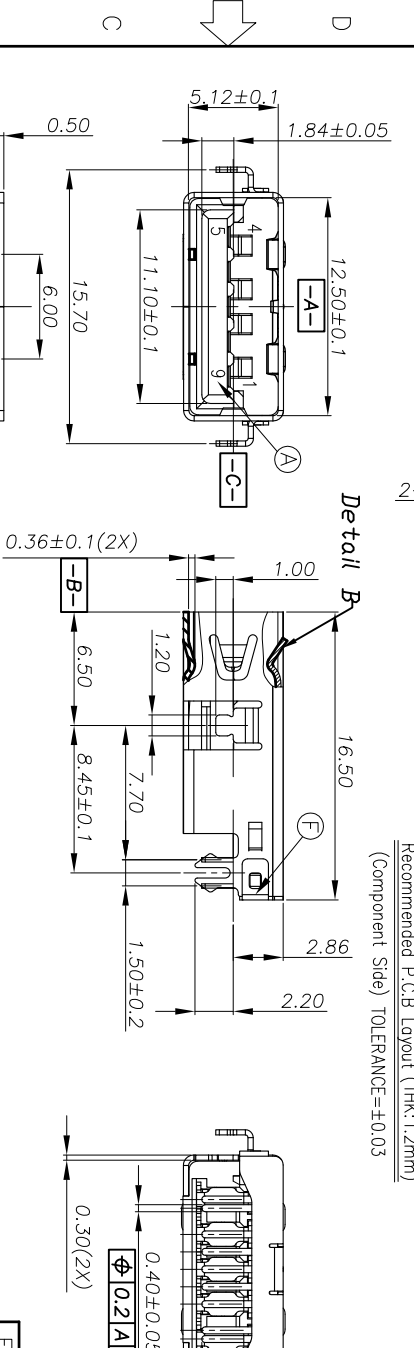
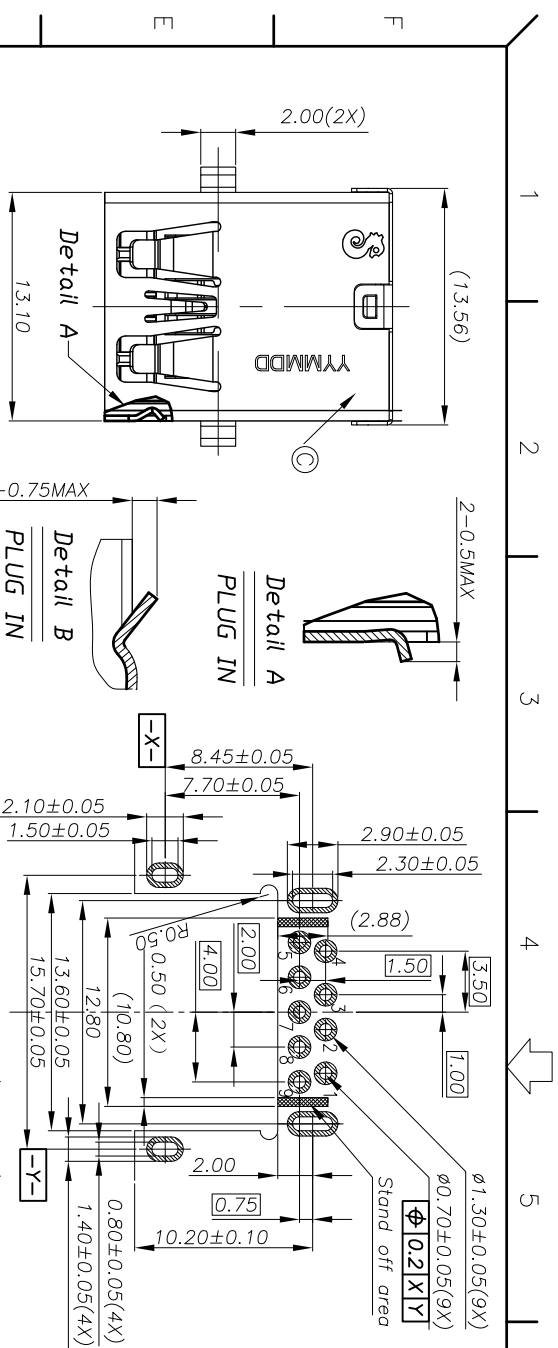
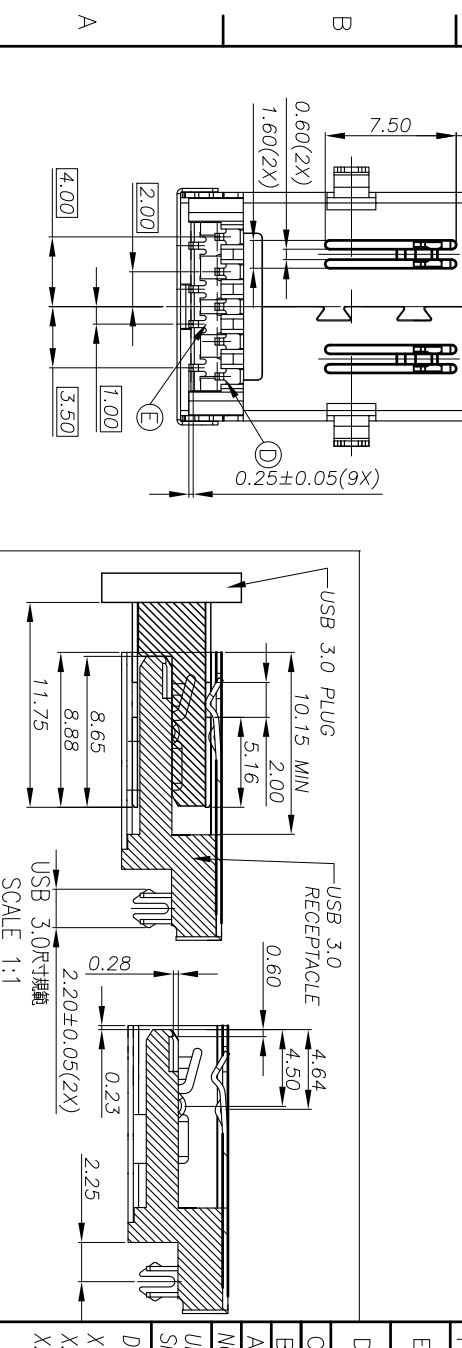


REV.	ECN NO.	OR DESCRIPTION	REVISED	DATE
A	PDR	NO:1130418-1A	EDJ.ZHOU	2013.8.13

- SPECIFICATIONS:**
- ELECTRICAL CHARACTERISTICS:**
 - 1-1. CURRENT RATING: 1.8A (PIN1,4) ; OTHER CONTACTS 0.25A
 - 1-2. CONTACT RESISTANCE: 30mΩ MAX.
 - 1-3. DIELECTRIC WITHSTANDING VOLTAGE: 100V AC FOR 1 MINUTE
 - 1-4. INSULATION RESISTANCE: 100MΩ MIN
 - MECHANICAL CHARACTERISTICS:**
 - 2-1. INSERTION FORCE : 3.5 Kgf MAX
 - 2-2. WITHDRAWAL FORCE : 1.0 Kgf MIN, 0.8kgf(After Test)
 - DURABILITY:** 5,000 CYCLES.
 - TO CONFORM TO SINGATRON HAZARDOUS SUBSTANCE FREE SPEC.**
 - HALOGEN PRODUCT IDENTIFICATION MARK ON JACK: ©**
 - HALOGEN PRODUCT IDENTIFICATION LABEL ON PACKAGING: ©**
 - FOR WAVE SOLDERING LEAD-FREE PROCESS.**
 - DATE :** YMMDD
 - PACKAGING :** TAPE & REEL.



Pin Number	Signal ASSIGNMENT
PIN 1	VBUS
PIN 2	D-
PIN 3	D+
PIN 4	GND
PIN 5	SDA_SSRX-
PIN 6	SDA_SSRX+
PIN 7	GND_DRAIN
PIN 8	SDA_SSTX-
PIN 9	SDA_SSTX+



NO	DESCRIPTION	QTY	MATERIAL	PLATING & COLOR
F	REAR SHELL	1	STAINLESS STEEL	
E	TERMINAL	5	COPPER ALLOY TO.25	
D	TERMINAL	4	PHOSPHOR BRONZE TO.25	
C	SHELL	1	STAINLESS STEEL TO.3	NICKEL 60U"MIN
B	BASE	1	THERMOPLASTIC	BLACK
A	HOUSING	1	THERMOPLASTIC	BLACK
NO	DESCRIPTION	QTY	MATERIAL	PLATING & COLOR

UNLESS OTHERWISE SPECIFIED TOLERANCES:
 DECIMALS: ANGLES:
 X : ±0.5 X : ±2°
 X.X : ±0.3 X.X : ±1°
 X.XX : ±0.2

TITLE	USB 3.0 REVERSE CONNECTOR
DWN	EDJ.ZHOU/2013.8.13
CHKD	SCALE 1:1
APVD	DATE 2013.8.13

信音企業股份有限公司
 Singatron Enterprise Co., Ltd.
CUSTOMER COPY